

# SACC-MINMS-5CON-PG 9 - Connector



1521668

<https://www.phoenixcontact.com/in/products/1521668>

Please be informed that the data shown in this PDF document is generated from our Online Catalog. Please find the complete data in the user documentation. Our General Terms of Use for Downloads are valid.



Connector, Universal, 5-position, Plug straight 7/8"-16UNF, A, Screw connection, knurl material: Zinc die-cast, nickel-plated, cable gland Pg9, external cable diameter 6 mm ... 8 mm, Contact 3 capacitive

## Your advantages

- Safe use in the field, thanks to a high degree of protection
- Screw connection: proven connection technology for a large selection of different conductors

## Commercial Data

|                                      |                    |
|--------------------------------------|--------------------|
| Item number                          | 1521668            |
| Packing unit                         | 1 pc               |
| Minimum order quantity               | 1 pc               |
| Sales Key                            | BF2                |
| Product Key                          | BF2FAA             |
| Catalog Page                         | Page 25 (C-2-2017) |
| GTIN                                 | 4017918949518      |
| Weight per Piece (including packing) | 54.12 g            |
| Weight per Piece (excluding packing) | 45 g               |
| Customs tariff number                | 85366990           |
| Country of origin                    | DE                 |

# SACC-MINMS-5CON-PG 9 - Connector

1521668

<https://www.phoenixcontact.com/in/products/1521668>

## Technical Data

### Notes

Assembly instruction:

**NOTE:** Observe the permissible bending radii when laying conductors, since the degree of protection may be put in jeopardy if the bending forces are too high. Alleviate mechanical loads upstream of the connector, e.g. by using cable ties.

### Mounting

Assembly instructions

The wires can be connected both with ferrules and without ferrules

### Product properties

|                      |                                 |
|----------------------|---------------------------------|
| Product type         | Circular connector (cable-side) |
| Number of positions  | 5                               |
| No. of cable outlets | 1                               |
| Shielded             | no                              |
| Coding               | A                               |
| Cable outlet         | straight                        |
| Pg screw connection  | Pg9                             |

### Insulation characteristics

|                      |     |
|----------------------|-----|
| Overvoltage category | III |
| Degree of pollution  | 3   |

### Dimensions

|                     |  |
|---------------------|--|
| Dimensional drawing |  |
| Length              | 83 mm  |

### External dimensions

|                  |               |
|------------------|---------------|
| Outside diameter | 6 mm ... 8 mm |
|------------------|---------------|

### Housing

|                  |       |
|------------------|-------|
| Diameter housing | 27 mm |
|------------------|-------|

### Material specifications

|  |                              |
|--|------------------------------|
| Flammability rating according to UL 94 | HB                           |
| Material of grip body                  | PBT                          |
| Contact material                       | CuZn                         |
| Contact surface material               | Au                           |
| Contact carrier material               | PUR/PA 6.6                   |
| Material for screw connection          | Zinc die-cast, nickel-plated |

### Connection data

# SACC-MINMS-5CON-PG 9 - Connector



1521668

<https://www.phoenixcontact.com/in/products/1521668>

## Conductor connection

|   |  |
|---|--|
| Connection method                       | Screw connection   |
| Connection cross section                | 0.34 mm <sup>2</sup> ... 1.5 mm <sup>2</sup> (without ferrule) |
|   | 0.34 mm <sup>2</sup> ... 1.5 mm <sup>2</sup> (with ferrule)    |
|   | 0.34 mm <sup>2</sup> ... 1.5 mm <sup>2</sup> (solid)           |
| Connection cross section AWG            | 22 ... 16 (without ferrule)                                    |
|   | 22 ... 16 (with ferrule)                                       |
| Stripping length of the individual wire | 7 mm   |
| Tightening torque                       | 0.8 Nm (7/8" connectors)                                       |
|   | 0.4 Nm (Screw terminal blocks)                                 |
|   | 0.8 Nm ... 1 Nm (Pressure screw)                               |

## Electrical properties

|                                |          |
|--------------------------------|----------|
| Rated surge voltage            | 4 kV     |
| Contact resistance             | ≤ 5 mΩ   |
| Insulation resistance          | ≥ 100 MΩ |
| Nominal voltage U <sub>N</sub> | 300 V AC |
|                                | 300 V DC |
| Nominal current I <sub>N</sub> | 9 A      |

## Mechanical properties

### Mechanical data

|                             |       |
|-----------------------------|-------|
| Insertion/withdrawal cycles | ≥ 100 |
|-----------------------------|-------|

## Connector

### Connection 1

|                   |            |
|-------------------|------------|
| Head design       | Plug       |
| Head cable outlet | straight   |
| Head thread type  | 7/8"-16UNF |
| Coding            | A          |

## Cable/line

|   |           |
|---|-----------|
| Signal type/category                    | Universal |
| Stripping length of the individual wire | 7 mm      |

## Environmental and real-life conditions

### Ambient conditions

|                                 |                                  |
|---------------------------------|----------------------------------|
| Degree of protection            | IP67                             |
| Ambient temperature (operation) | -25 °C ... 85 °C (Plug / socket) |

# SACC-MINMS-5CON-PG 9 - Connector

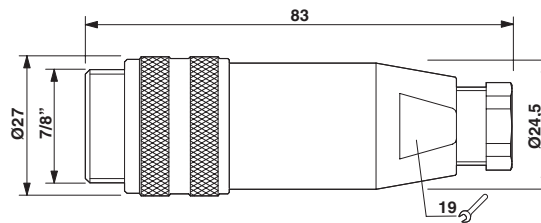


1521668

<https://www.phoenixcontact.com/in/products/1521668>

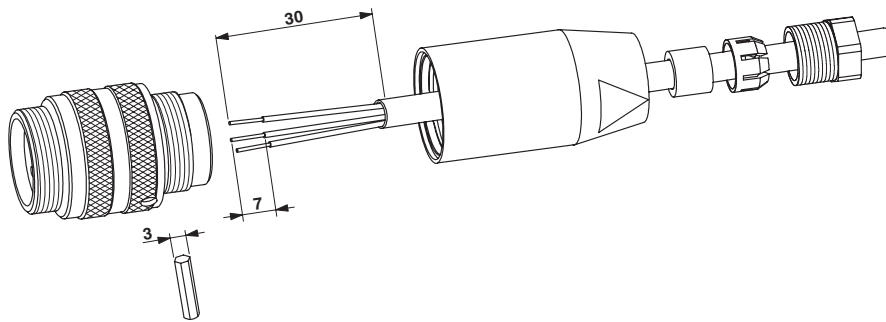
## Drawings

Dimensional drawing



Plug 7/8"-16UNF, straight, Pg9

Functional drawing



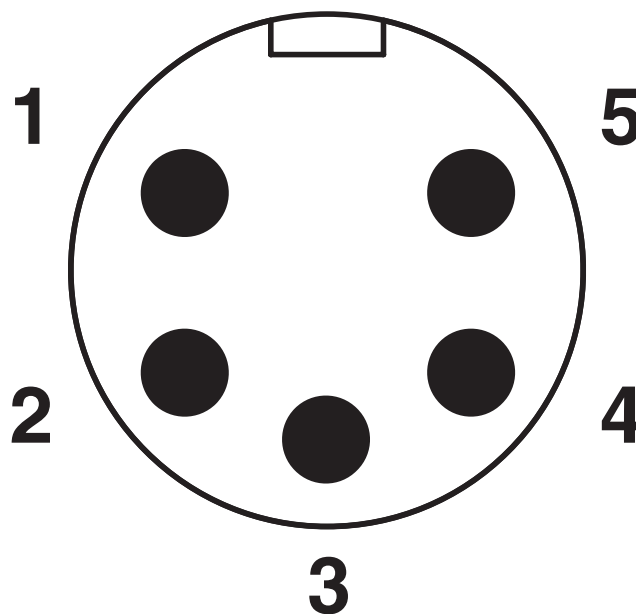
# SACC-MINMS-5CON-PG 9 - Connector

1521668

<https://www.phoenixcontact.com/in/products/1521668>



Schematic diagram



Pin assignment, plug, 7/8"-16UNF, 5-pos., view of male side

# SACC-MINMS-5CON-PG 9 - Connector




1521668

<https://www.phoenixcontact.com/in/products/1521668>

## Approvals

|  <b>cUL Recognized</b><br>Approval ID: FILE E 221474 |                       |                       |                   |                             |
|---|-----------------------|-----------------------|-------------------|-----------------------------|
|   | Nominal Voltage $U_N$ | Nominal Current $I_N$ | Cross Section AWG | Cross Section $\text{mm}^2$ |
|   | 600 V                 | 9 A                   | -                 | -                           |

|  <b>UL Recognized</b><br>Approval ID: FILE E 221474 |                       |                       |                   |                             |
|--|-----------------------|-----------------------|-------------------|-----------------------------|
|  | Nominal Voltage $U_N$ | Nominal Current $I_N$ | Cross Section AWG | Cross Section $\text{mm}^2$ |
|  | 600 V                 | 9 A                   | -                 | -                           |

|  <b>EAC</b><br>Approval ID: RU C-DE.BL08.B.00511 |  |  |  |  |
|---|--|--|--|--|
|---|--|--|--|--|

# SACC-MINMS-5CON-PG 9 - Connector



1521668

<https://www.phoenixcontact.com/in/products/1521668>

## Classifications

### ECLASS

|             |          |
|-------------|----------|
| ECLASS-11.0 | 27440102 |
| ECLASS-12.0 | 27440116 |
| ECLASS-13.0 | 27440116 |

### ETIM

|          |          |
|----------|----------|
| ETIM 8.0 | EC002635 |
|----------|----------|

### UNSPSC

|             |          |
|-------------|----------|
| UNSPSC 21.0 | 39121400 |
|-------------|----------|

# SACC-MINMS-5CON-PG 9 - Connector



1521668

<https://www.phoenixcontact.com/in/products/1521668>

## Environmental Product Compliance

|            |  |
|------------|--|
| REACH SVHC | Lead 7439-92-1   |
| China RoHS | Environmentally Friendly Use Period = 50 years   |
|            | For information on hazardous substances, refer to the manufacturer's declaration available under "Downloads" |



# SACC-MINMS-5CON-PG 9 - Connector



1521668

<https://www.phoenixcontact.com/in/products/1521668>

## Accessories

### TSD 08 SAC - Torque screwdriver

1212597

<https://www.phoenixcontact.com/in/products/1212597>



Torque screw driver with preset torque of 0.8 Nm, with 4 mm hexagon for accommodating SAC bits, two-component handle with non-slip grip

---

### TSD-M 1,2NM - Torque screwdriver

1212224

<https://www.phoenixcontact.com/in/products/1212224>



Torque screw driver, accuracy as per EN ISO 6789 standard, adjustable from 0.3 - 1.2 Nm

# SACC-MINMS-5CON-PG 9 - Connector



1521668

<https://www.phoenixcontact.com/in/products/1521668>

## TSD-M SAC-BIT ADAPTER - Adapter insert

1212600

<https://www.phoenixcontact.com/in/products/1212600>



Adapter bit for TSD-M...torque tools, E6.3-1/4" drive with 4 mm hexagon to accommodate SAC bits

---

## SAC BIT MIN-D25 - Tool

1212512

<https://www.phoenixcontact.com/in/products/1212512>



Nut for assembling 7/8" connectors with a knurl diameter of 25 mm, with 4 mm hexagonal drive

# SACC-MINMS-5CON-PG 9 - Connector

1521668

<https://www.phoenixcontact.com/in/products/1521668>



## PROT-MINFS-PA-CHAIN - Sealing cap

1430912

<https://www.phoenixcontact.com/in/products/1430912>

7/8" sealing cap made of plastic with fixing band, for sensor cables, for 7/8" connectors



---

## SAC-5P-100,0-186/0,75 - Cable reel

1535590

<https://www.phoenixcontact.com/in/products/1535590>

By the meter, Cable reel, PUR, black-gray RAL 7021, 5-wire, color single wire: brown, white, blue, black, gray, cable length: 100 m



---

Phoenix Contact 2023 © - all rights reserved  
<https://www.phoenixcontact.com>

PHOENIX CONTACT (I) Pvt. Ltd.  
A-58/2, Okhla Industrial Area, Phase - II, New Delhi-110 020

+91.1275.71420  
[info@phoenixcontact.co.in](mailto:info@phoenixcontact.co.in)