

VC-K-T2-Z - Sleeve housing

1852943

<https://www.phoenixcontact.com/in/products/1852943>

Please be informed that the data shown in this PDF document is generated from our Online Catalog. Please find the complete data in the user documentation. Our General Terms of Use for Downloads are valid.



Sleeve housings, Range of articles: VARIOCON, Sleeve housing, design: VC2, housing material: Polyamide, color: gray. When using fiber optics, the bending radii of the cable manufacturers must be observed.

Commercial Data

Item number	1852943
Packing unit	5 pc
Minimum order quantity	5 pc
Sales Key	ABL
Product Key	ABLAAA
Catalog Page	Page 35 (C-2-2013)
GTIN	4017918133894
Weight per Piece (including packing)	53.86 g
Weight per Piece (excluding packing)	53.86 g
Customs tariff number	85389099
Country of origin	PL

Technical Data

Notes

General	When using fiber optics, the bending radii of the cable manufacturers must be observed.
Safety note	<p data-bbox="847 645 1449 730">WARNING: The connectors may not be plugged in or disconnected under load. Ignoring the warning or improper use may damage persons and/or property.</p> <ul data-bbox="847 745 1469 2130" style="list-style-type: none"><li data-bbox="847 745 1430 853">• WARNING: Commission properly functioning products only. The products must be regularly inspected for damage. Decommission defective products immediately. Replace damaged products. Repairs are not possible.<li data-bbox="847 875 1469 1066">• WARNING: Only electrically qualified personnel may install and operate the product. They must observe the following safety notes. The qualified personnel must be familiar with the basics of electrical engineering. They must be able to recognize and prevent danger. The relevant symbol on the packaging indicates that only personnel familiar with electrical engineering are allowed to install and operate the product.<li data-bbox="847 1088 1437 1133">• The products are suitable for applications in plant, controller, and electrical device engineering.<li data-bbox="847 1155 1449 1200">• When operating the connectors in outdoor applications, they must be separately protected against environmental influences.<li data-bbox="847 1223 1422 1267">• Assembled products may not be manipulated or improperly opened.<li data-bbox="847 1290 1449 1368">• Only use mating connectors that are specified in the technical data of the standards listed (e.g. the ones listed in the product accessories online at phoenixcontact.com/products).<li data-bbox="847 1391 1430 1435">• When using the product in direct connection with third-party manufacturers, the user is responsible.<li data-bbox="847 1458 1398 1503">• For operating voltages > 50 V AC, conductive connector housings must be grounded<li data-bbox="847 1525 1398 1570">• Ensure that the protective or functional ground has been properly connected.<li data-bbox="847 1592 1461 1671">• VDE 0100/1.97 § 411.1.3.2 and DIN EN 60 204/11.98 § 14.1.3 are applicable when combining several circuits in a cable and/or connector<li data-bbox="847 1693 1414 1850">• Observe the corresponding technical data. You will find information:<ul data-bbox="847 1749 1414 1850" style="list-style-type: none"><li data-bbox="847 1749 1015 1771">o On the product<li data-bbox="847 1771 1062 1794">o On the packing label<li data-bbox="847 1794 1158 1816">o In the supplied documentation<li data-bbox="847 1816 1414 1850">o Online at phoenixcontact.com/products under the product<li data-bbox="847 1872 1334 1895">• Only use tools recommended by Phoenix Contact<li data-bbox="847 1917 1406 1995">• The installation notes/Design In documents online on the download page at phoenixcontact.com/products must be observed for this product.<li data-bbox="847 2018 1449 2096">• Use a protective cap to protect connectors that are not in use. The suitable accessories are available online in the accessory section of the product at phoenixcontact.com/products<li data-bbox="847 2119 1374 2130">• Operate the connector only when it is fully plugged in.

VC-K-T2-Z - Sleeve housing

1852943

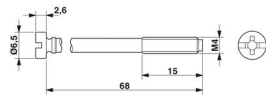
<https://www.phoenixcontact.com/in/products/1852943>

	<ul style="list-style-type: none">• Ensure that when laying the cable, the tensile load on the connectors does not exceed the upper limit specified in the standards.
	<ul style="list-style-type: none">• Observe the minimum bending radius of the cable. Lay the cable without twisting it.
	<ul style="list-style-type: none">• The connector warms up in normal operation. Depending on the ambient conditions, the surface of the connector can continue to warm up. In this case, the user is responsible for posting warnings (e.g. DIN EN ISO 13732-1:2008-12).

Product properties

Type	VC2
Product type	Sleeve housings
Product family	VARIOCON
No. of cable outlets	1
Type of the screw connection	Pg21
Fixing screws	M4
Locking type	Screw locking, cylinder head
Shielded	no
Cable outlet	angled

Dimensions

Dimensional drawing	
Width	33 mm
Height	75.6 mm
Length	80.8 mm
Thread type on seal side	Pg21

Material specifications

Color	gray
Color of the housing part	gray
Material	Polyamide
Flammability rating according to UL 94	V0
Seal material	EPDM NBR
O-ring material	NBR
Material of locking screw	Stainless steel
Housing material	Polyamide

Mechanical properties

Mechanical data

Type of the screw connection	Pg21
------------------------------	------

VC-K-T2-Z - Sleeve housing

1852943

<https://www.phoenixcontact.com/in/products/1852943>



Locking type	Screw
--------------	-------

Environmental and real-life conditions

Ambient conditions

Degree of protection	IP67 (DIN IEC 60529)
	IP67
Ambient temperature (operation)	-40 °C ... 80 °C

Mounting

Fixing screws	M4
---------------	----

VC-K-T2-Z - Sleeve housing

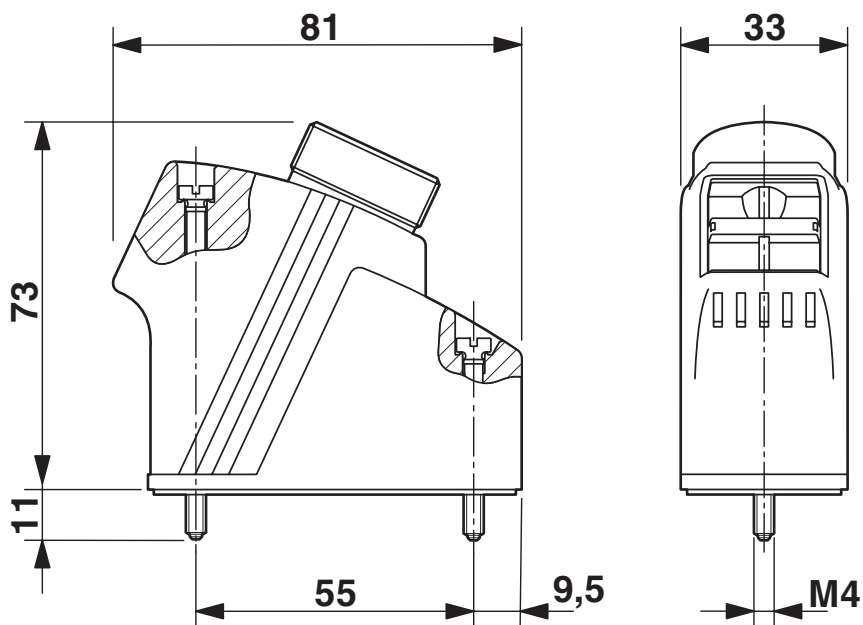
1852943

<https://www.phoenixcontact.com/in/products/1852943>

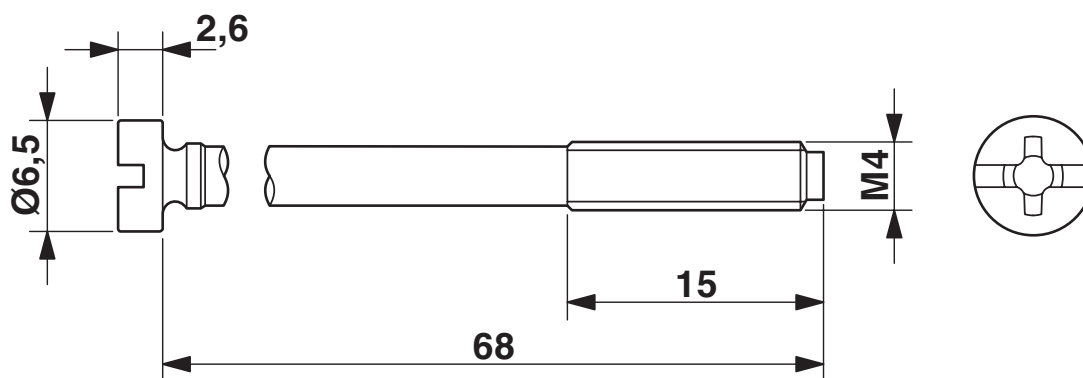


Drawings

Dimensional drawing



Dimensional drawing



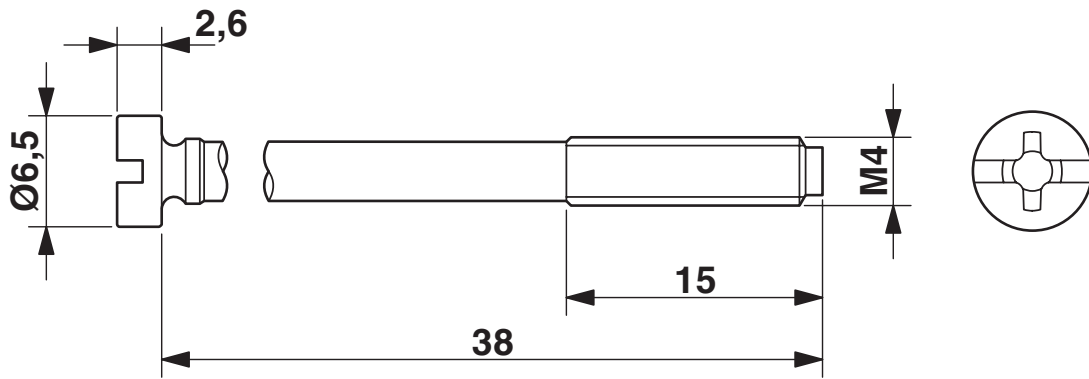
VC-K-T2-Z - Sleeve housing

1852943

<https://www.phoenixcontact.com/in/products/1852943>



Dimensional drawing



VC-K-T2-Z - Sleeve housing

1852943

<https://www.phoenixcontact.com/in/products/1852943>



Approvals



EAC

Approval ID: B.01687

VC-K-T2-Z - Sleeve housing

1852943

<https://www.phoenixcontact.com/in/products/1852943>



Classifications

ECLASS

ECLASS-11.0	27440202
ECLASS-12.0	27440202
ECLASS-13.0	27440202

ETIM

ETIM 8.0	EC000437
----------	----------

UNSPSC

UNSPSC 21.0	31261500
-------------	----------

VC-K-T2-Z - Sleeve housing

1852943

<https://www.phoenixcontact.com/in/products/1852943>



Environmental Product Compliance

China RoHS	Environmentally friendly use period: unlimited = EFUP-e
	No hazardous substances above threshold values

VC-K-T2-Z - Sleeve housing

1852943

<https://www.phoenixcontact.com/in/products/1852943>

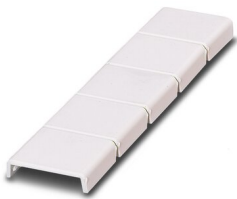


Accessories

VC-BZS WH - Marking label

1852875

<https://www.phoenixcontact.com/in/products/1852875>



Marker labels, unprinted, 5-section, for individual labeling with M-PEN or CMS system, white

VC-K-KV-PG21(7-10,5) - Cable gland

1853890

<https://www.phoenixcontact.com/in/products/1853890>



Half screw connection Pg21, made of plastic, consisting of rubber seal with one hole and one pressure screw, for type 2 - 4 housings, cable [mm] 7.5 - 10.5

VC-K-T2-Z - Sleeve housing

1852943

<https://www.phoenixcontact.com/in/products/1852943>



VC-K-KV-PG21(9-13) - Cable gland

1853900

<https://www.phoenixcontact.com/in/products/1853900>



Half screw connection Pg21, made of plastic, consisting of rubber seal with one hole and one pressure screw, for type 2 - 4 housings, cable [mm] 9 - 13

VC-K-KV-PG21(11,5-15,5) - Cable gland

1853913

<https://www.phoenixcontact.com/in/products/1853913>



Half screw connection Pg21, made of plastic, consisting of rubber seal with one hole and one pressure screw, for type 2 - 4 housings, cable [mm] 11.5 - 15.5

VC-K-T2-Z - Sleeve housing

1852943

<https://www.phoenixcontact.com/in/products/1852943>



VC-K-KV-PG21(14-18) - Cable gland

1853926

<https://www.phoenixcontact.com/in/products/1853926>



Half screw connection Pg21, made of plastic, consisting of rubber seal with one hole and one pressure screw, for type 2 - 4 housings, cable [mm] 14 - 18

VC-K-KV-PG21(17-20,5) - Cable gland

1853939

<https://www.phoenixcontact.com/in/products/1853939>



Half screw connection Pg21, made of plastic, consisting of rubber seal with one hole and one pressure screw, for type 2 - 4 housings, cable [mm] 17 - 20.5

VC-K-T2-Z - Sleeve housing

1852943

<https://www.phoenixcontact.com/in/products/1852943>



VC-K-KV-PG21 1X6/2X9 - Cable gland

1885538

<https://www.phoenixcontact.com/in/products/1885538>



Half screw connection Pg21, made of plastic, consisting of rubber seal with several holes (1 x 6 mm/2 x 9 mm) and a pressure screw, for cable screw connection support VC-M-KV-PG21.....

VC-K-KV-PG21-1X8,5/1X12 - Cable gland

1885279

<https://www.phoenixcontact.com/in/products/1885279>



Half screw connection Pg21, made of plastic, consisting of rubber seal with several holes (1 x 8.5 mm/1 x 12 mm) and a pressure screw, for cable screw connection thread VC-M-KV-PG21.....

VC-K-T2-Z - Sleeve housing

1852943

<https://www.phoenixcontact.com/in/products/1852943>



VC-K-KV-PG21-2X4,5/1X13 - Cable gland

1885282

<https://www.phoenixcontact.com/in/products/1885282>



Half screw connection Pg21, made of plastic, consisting of rubber seal with several holes (2 x 4.5 mm/1 x 13 mm) and a pressure screw, for cable screw connection thread VC-M-KV-PG21.....

VC-K-KV-PG21 2X6/2X8 - Cable gland

1885554

<https://www.phoenixcontact.com/in/products/1885554>



Half screw connection Pg21, made of plastic, consisting of rubber seal with several holes (2 x 6 mm/2 x 8 mm) and a pressure screw, for cable screw connection support VC-M-KV-PG21.....

VC-K-T2-Z - Sleeve housing

1852943

<https://www.phoenixcontact.com/in/products/1852943>



VC-K-KV-PG21 2X7,2/1X10,5 - Cable gland

1885567

<https://www.phoenixcontact.com/in/products/1885567>



Half screw connection Pg21, made of plastic, consisting of rubber seal with several holes (2 x 7.2 mm/ 1 x 10.5 mm) and a pressure screw, for cable screw connection thread VC-M-KV-PG21.....

VC-K-KV-PG21 3X7 - Cable gland

1885570

<https://www.phoenixcontact.com/in/products/1885570>



Half screw connection Pg21, made of plastic, consisting of rubber seal with several holes (3 x 7 mm) and one pressure screw, for cable screw connection support VC-M-KV-PG21.....

VC-K-T2-Z - Sleeve housing

1852943

<https://www.phoenixcontact.com/in/products/1852943>



VC-K-KV-PG21 3X9 - Cable gland

1885583

<https://www.phoenixcontact.com/in/products/1885583>



Half screw connection Pg21, made of plastic, consisting of rubber seal with several holes (3 x 9 mm) and one pressure screw, for cable screw connection support VC-M-KV-PG21.....

VC-K-KV-PG21 4X6,5 - Cable gland

1885596

<https://www.phoenixcontact.com/in/products/1885596>



Half screw connection Pg21, made of plastic, consisting of rubber seal with several holes (4 x 6.5 mm) and one pressure screw, for cable screw connection support VC-M-KV-PG21.....

VC-K-T2-Z - Sleeve housing

1852943

<https://www.phoenixcontact.com/in/products/1852943>



VC-K-KV-PG21 4X8 - Cable gland

1885606

<https://www.phoenixcontact.com/in/products/1885606>



Half screw connection Pg21, made of plastic, consisting of rubber seal with several holes (4 x 8 mm) and one pressure screw, for type 2 - 4 housings

VC-M-KV-PG21/M32 ST - Cable gland

1644397

<https://www.phoenixcontact.com/in/products/1644397>



Cable gland for Pg21 half screw connection to M32 housing entry, metal

VC-K-T2-Z - Sleeve housing

1852943

<https://www.phoenixcontact.com/in/products/1852943>



VC-SCHR.ZYL-B-M4X38X15-Z2L-V4A - Connector component

1628354

<https://www.phoenixcontact.com/in/products/1628354>



M4x38x15 mm cylinder screw as replacement for VC sleeve housing

VC-SCHR.ZYL-B-M4X68X15-Z2L-V4A - Connector component

1628355

<https://www.phoenixcontact.com/in/products/1628355>



M4x68x15 mm cylinder screw as replacement for VC sleeve housing

VC-K-T2-Z - Sleeve housing

1852943

<https://www.phoenixcontact.com/in/products/1852943>



VC-O-RING 3X1,5 NBR-NT70:100 - Connector component

1628356

<https://www.phoenixcontact.com/in/products/1628356>

O-ring as replacement for VC sleeve housing



VC-SD2 - Protective cover

1853683

<https://www.phoenixcontact.com/in/products/1853683>



Protective cover, Range of articles: VARIOCON, Protective cover, design: VC2, housing material: PA 6, color: gray

VC-K-T2-Z - Sleeve housing

1852943

<https://www.phoenixcontact.com/in/products/1852943>



VC-SD-T2 - Protective cover

1886731

<https://www.phoenixcontact.com/in/products/1886731>



Protective cover, Protective cover, design: VC2, housing material: PA 6, color: gray

Phoenix Contact 2023 © - all rights reserved

<https://www.phoenixcontact.com>

PHOENIX CONTACT (I) Pvt. Ltd.

A-58/2, Okhla Industrial Area, Phase - II, New Delhi-110 020

+91.1275.71420

info@phoenixcontact.co.in