

VC-TR2/3M-PEA - Sleeve frame



1607062

<https://www.phoenixcontact.com/in/products/1607062>

Please be informed that the data shown in this PDF document is generated from our Online Catalog. Please find the complete data in the user documentation. Our General Terms of Use for Downloads are valid.



Contact insert frames, Range of articles: VARIOCON, Sleeve frame, design: VC2, housing material: Polyamide, color: black

Commercial Data

| | |
|--------------------------------------|--------------------|
| Item number | 1607062 |
| Packing unit | 5 pc |
| Minimum order quantity | 5 pc |
| Sales Key | ABL |
| Product Key | ABLABA |
| Catalog Page | Page 33 (C-2-2013) |
| GTIN | 4017918940898 |
| Weight per Piece (including packing) | 16.4 g |
| Weight per Piece (excluding packing) | 15.98 g |
| Customs tariff number | 85389099 |
| Country of origin | PL |

Technical Data

Notes

Safety note

Safety note

WARNING: The connectors may not be plugged in or disconnected under load. Ignoring the warning or improper use may damage persons and/or property.

- WARNING: Commission properly functioning products only. The products must be regularly inspected for damage. Decommission defective products immediately. Replace damaged products. Repairs are not possible.

- WARNING: Only electrically qualified personnel may install and operate the product. They must observe the following safety notes. The qualified personnel must be familiar with the basics of electrical engineering. They must be able to recognize and prevent danger. The relevant symbol on the packaging indicates that only personnel familiar with electrical engineering are allowed to install and operate the product.

- The products are suitable for applications in plant, controller, and electrical device engineering.

- When operating the connectors in outdoor applications, they must be separately protected against environmental influences.

- Assembled products may not be manipulated or improperly opened.

- Only use mating connectors that are specified in the technical data of the standards listed (e.g. the ones listed in the product accessories online at [phoenixcontact.com/products](https://www.phoenixcontact.com/products)).

- When using the product in direct connection with third-party manufacturers, the user is responsible.

- For operating voltages > 50 V AC, conductive connector housings must be grounded

- Ensure that the protective or functional ground has been properly connected.

- VDE 0100/1.97 § 411.1.3.2 and DIN EN 60 204/11.98 § 14.1.3 are applicable when combining several circuits in a cable and/or connector

- Observe the corresponding technical data. You will find information:

- o On the product

- o On the packing label

- o In the supplied documentation

- o Online at [phoenixcontact.com/products](https://www.phoenixcontact.com/products) under the product

- Only use tools recommended by Phoenix Contact

- The installation notes/Design In documents online on the download page at [phoenixcontact.com/products](https://www.phoenixcontact.com/products) must be observed for this product.

- Use a protective cap to protect connectors that are not in use. The suitable accessories are available online in the accessory section of the product at [phoenixcontact.com/products](https://www.phoenixcontact.com/products)

- Operate the connector only when it is fully plugged in.

- Ensure that when laying the cable, the tensile load on the connectors does not exceed the upper limit specified in the

VC-TR2/3M-PEA - Sleeve frame

1607062

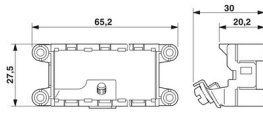
<https://www.phoenixcontact.com/in/products/1607062>

| | |
|--|--|
| | standards. |
| | <ul style="list-style-type: none">• Observe the minimum bending radius of the cable. Lay the cable without twisting it. |
| | <ul style="list-style-type: none">• The connector warms up in normal operation. Depending on the ambient conditions, the surface of the connector can continue to warm up. In this case, the user is responsible for posting warnings (e.g. DIN EN ISO 13732-1:2008-12). |

Product properties

| | |
|------------------------|-----------------------|
| Type | VC2 |
| Product type | Contact insert frames |
| Number of module slots | 3 |
| Series | VC-M |

Dimensions

| | |
|---------------------|---|
| Dimensional drawing |  |
| Width | 65.2 mm |
| Height | 27.5 mm |
| Depth | 20.2 mm |
| Length | 32 mm |

Material specifications

| | |
|--|---------------|
| Color | black |
| Color of the housing part | black |
| Material | Polyamide |
| Material | PA-GF |
| Flammability rating according to UL 94 | V0 |
| Contact material | CuZn |
| Contact surface material | nickel-plated |
| Housing material | Polyamide |

Environmental and real-life conditions

Ambient conditions

| | |
|---------------------------------|-------------------|
| Ambient temperature (operation) | -40 °C ... 100 °C |
|---------------------------------|-------------------|

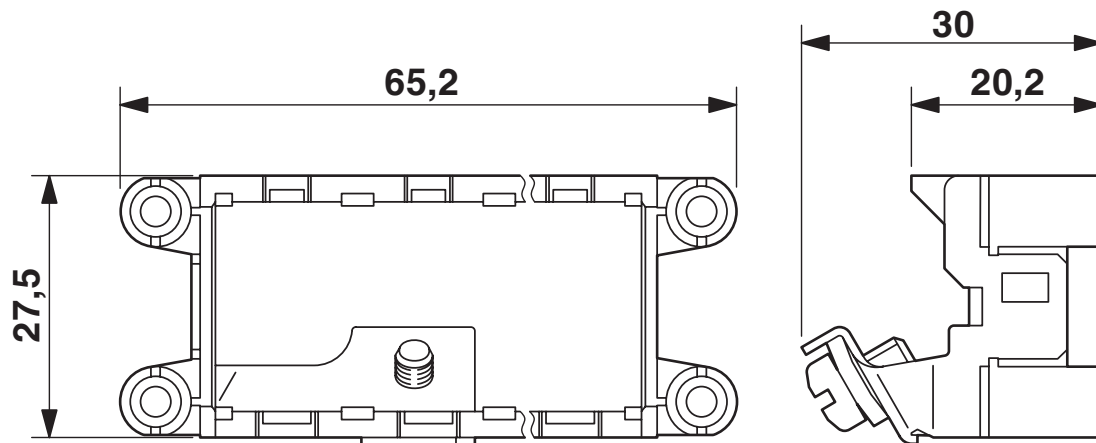
VC-TR2/3M-PEA - Sleeve frame

1607062

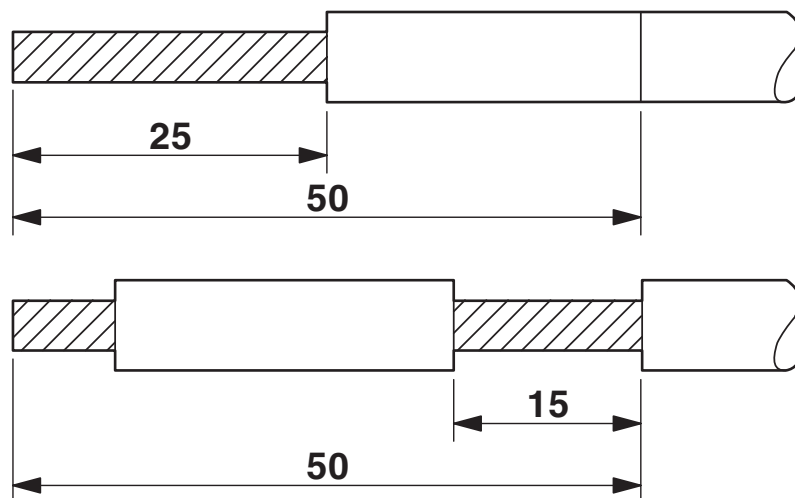
<https://www.phoenixcontact.com/in/products/1607062>

Drawings

Dimensional drawing



Functional drawing



VC-TR2/3M-PEA - Sleeve frame



1607062

<https://www.phoenixcontact.com/in/products/1607062>

Approvals



EAC

Approval ID: B.01687

VC-TR2/3M-PEA - Sleeve frame



1607062

<https://www.phoenixcontact.com/in/products/1607062>

Classifications

ECLASS

| | |
|-------------|----------|
| ECLASS-11.0 | 27440210 |
| ECLASS-12.0 | 27440210 |
| ECLASS-13.0 | 27440210 |

ETIM

| | |
|----------|----------|
| ETIM 8.0 | EC002310 |
|----------|----------|

UNSPSC

| | |
|-------------|----------|
| UNSPSC 21.0 | 39121400 |
|-------------|----------|

VC-TR2/3M-PEA - Sleeve frame



1607062

<https://www.phoenixcontact.com/in/products/1607062>

Environmental Product Compliance

| | |
|------------|---|
| China RoHS | Environmentally friendly use period: unlimited = EFUP-e |
| | No hazardous substances above threshold values |

VC-TR2/3M-PEA - Sleeve frame

1607062

<https://www.phoenixcontact.com/in/products/1607062>



Accessories

VC-TFS 6 - Contact insert

1853476

<https://www.phoenixcontact.com/in/products/1853476>



Contact insert, Range of articles: VARIOCON, Contact insert, housing material: Polyamide, color: light grey, number of positions: 6, min. conductor cross section: 0.14 mm², max. conductor cross section: 1.5 mm², rated voltage: 250, rated current: 10 A, Connection method: Screw connection, Type of contact: Socket. Connectors may only be connected/disconnected when under no load.

VC-TFS 6-PE - Contact insert

1583526

<https://www.phoenixcontact.com/in/products/1583526>



Contact insert, Range of articles: VARIOCON, Contact insert, housing material: Polyamide, color: light grey, number of positions: 6, min. conductor cross section: 0.14 mm², max. conductor cross section: 1.5 mm², rated voltage: 250, rated current: 10 A, Connection method: Screw connection, Type of contact: Socket. Connectors may only be connected/disconnected when under no load.

VC-TR2/3M-PEA - Sleeve frame

1607062

<https://www.phoenixcontact.com/in/products/1607062>



VC-TFS 8 - Contact insert

1852820

<https://www.phoenixcontact.com/in/products/1852820>



Contact insert, Range of articles: VARIOCON, Contact insert, housing material: Polyamide, color: light grey, number of positions: 8, rated voltage: 160, rated current: 10 A, Connection method: Screw connection, Type of contact: Socket. Connectors may only be connected/disconnected when under no load.

VC-TFS 8-PE - Contact insert

1583536

<https://www.phoenixcontact.com/in/products/1583536>



Contact insert, Range of articles: VARIOCON, Contact insert, housing material: Polyamide, color: light grey, number of positions: 8, min. conductor cross section: 0.14 mm², max. conductor cross section: 1.5 mm², rated voltage: 160, rated current: 10 A, Connection method: Screw connection, Type of contact: Socket. Connectors may only be connected/disconnected when under no load.

VC-TR2/3M-PEA - Sleeve frame

1607062

<https://www.phoenixcontact.com/in/products/1607062>



VC-TFS 2 - Contact insert

1852846

<https://www.phoenixcontact.com/in/products/1852846>



Contact insert, Range of articles: VARIOCON, Contact insert, housing material: Polyamide, color: light grey, number of positions: 2, min. conductor cross section: 0.25 mm², max. conductor cross section: 4 mm², rated voltage: 400, rated current: 20 A, Connection method: Screw connection, Type of contact: Socket. Connectors may only be connected/disconnected when under no load.

VC-TFS 2-PE - Contact insert

1583513

<https://www.phoenixcontact.com/in/products/1583513>



Contact insert, Range of articles: VARIOCON, Contact insert, housing material: Polyamide, color: light grey, number of positions: 2, min. conductor cross section: 0.25 mm², max. conductor cross section: 4 mm², rated voltage: 400, rated current: 20 A, Connection method: Screw connection, Type of contact: Socket. Connectors may only be connected/disconnected when under no load.

Phoenix Contact 2023 © - all rights reserved
<https://www.phoenixcontact.com>

PHOENIX CONTACT (I) Pvt. Ltd.
A-58/2, Okhla Industrial Area, Phase - II, New Delhi-110 020

+91.1275.71420
info@phoenixcontact.co.in