

# HC-DD108-I-CT-M-216 - Contact insert



1584127

<https://www.phoenixcontact.com/in/products/1584127>

Please be informed that the data shown in this PDF document is generated from our Online Catalog. Please find the complete data in the user documentation. Our General Terms of Use for Downloads are valid.

HEAVYCON male insert, DD108 series, 108-pos., 109 ... 216 printed, crimp connection



## Your advantages

- Can be used in rail vehicles, satisfy DIN EN 45545-2 with requirement sets R22, R23, and R24 in hazard levels HL1, HL2, and HL3.

## Commercial Data

Item number	1584127
Packing unit	1 pc
Minimum order quantity	1 pc
Sales Key	BF7
Product Key	BF7ABF
Catalog Page	Page 539 (C-2-2019)
GTIN	4046356133432
Weight per Piece (including packing)	66.3 g
Weight per Piece (excluding packing)	66.3 g
Customs tariff number	85389099
Country of origin	CN

# HC-DD108-I-CT-M-216 - Contact insert



1584127

<https://www.phoenixcontact.com/in/products/1584127>

## Technical Data

### Notes

General	For housing HC-B24
General	Connectors may be operated only when there is no load/voltage.
General	It is imperative that guide pins (HC-CST) and sockets (HC-CBU) are used to prevent tip collision due to misalignment.

### Mounting

Assembly instructions	To ensure correct use, installation in housing with IP54 protection or better is required
-----------------------	---

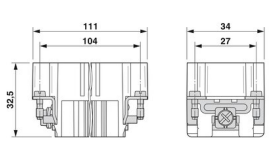
### Product properties

Type	B24 B48
Product type	Contact insert with a fixed no. of positions
Number of positions	108
Connection profile	108+PE
Contact numbering	109 - 216
Application	Signal
Contact type	turned rolled
Series	HC-DD

### Insulation characteristics

Overvoltage category	III
Degree of pollution	3

### Dimensions

Dimensional drawing	
Width	34 mm
Height	32.5 mm
Length	111 mm
Drill hole distance, horizontal	104 mm
Drill hole distance, vertical	27 mm

### Mechanical characteristics

Minimum housing height	72 mm
Contact diameter	1.6 mm

### Electrical properties

# HC-DD108-I-CT-M-216 - Contact insert



1584127

<https://www.phoenixcontact.com/in/products/1584127>

Rated voltage (III/3)	250 V
Rated surge voltage	4 kV
Rated current	10 A
SCCR	5 kA (UL 2237)

## Mechanical properties

### Mechanical data

Insertion/withdrawal cycles	≥ 500
-----------------------------	-------

## Material specifications

Flammability rating according to UL 94	V0
Contact material	Copper alloy
Contact surface material	Ag (alternatively Au)
Contact carrier material	PC
Standards/regulations	PC: Fire protection in rail vehicles - requirement sets R22, R23, and R24 acc. to DIN EN 45545-2 (Risk level HL1 - HL3)

## Environmental and real-life conditions

### Ambient conditions

Ambient temperature (operation)	-40 °C ... 125 °C (including heating up of contacts)
---------------------------------	--

## Standards and regulations

Constructional and testing regulations	DIN VDE 0627/86
	DIN VDE 0110/02.79
	DIN VDE 0110-1/04.97
	IEC 60664-1, DIN IEC 60512
	IEC 60352
Tests	DIN VDE 0627/86
	DIN VDE 0110/02.79
	DIN VDE 0110-1/04.97
	IEC 60664-1, DIN IEC 60512
	IEC 60352

### Testing

Standards/regulations	PC: Fire protection in rail vehicles - requirement sets R22, R23, and R24 acc. to DIN EN 45545-2 (Risk level HL1 - HL3)
-----------------------	---

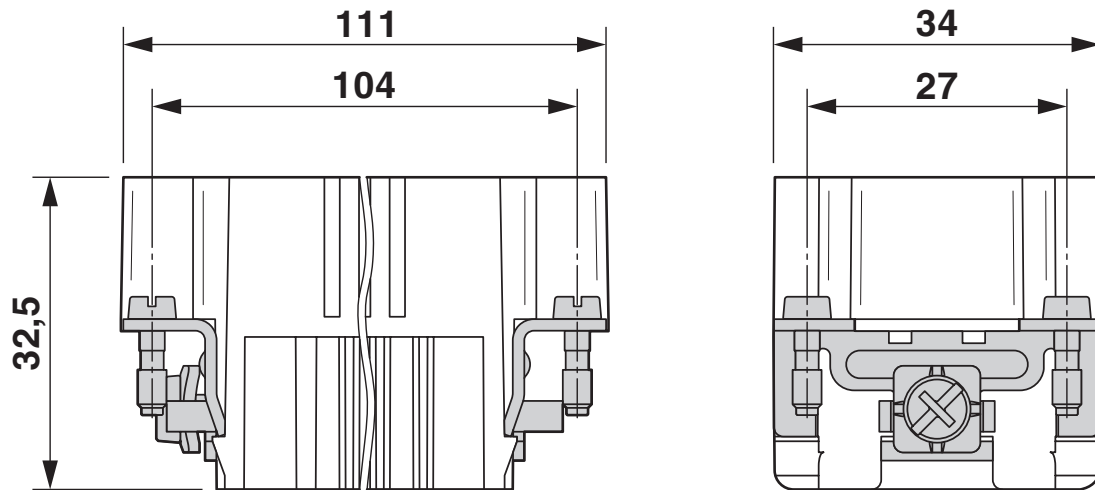
# HC-DD108-I-CT-M-216 - Contact insert

1584127

<https://www.phoenixcontact.com/in/products/1584127>

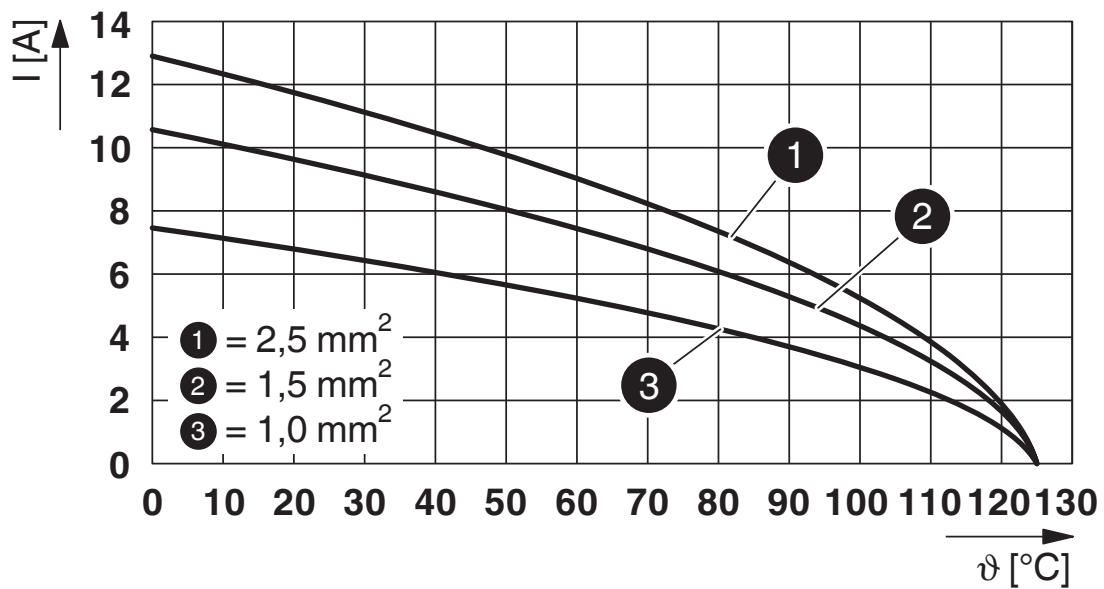
## Drawings

Dimensional drawing



## Male insert

Diagram



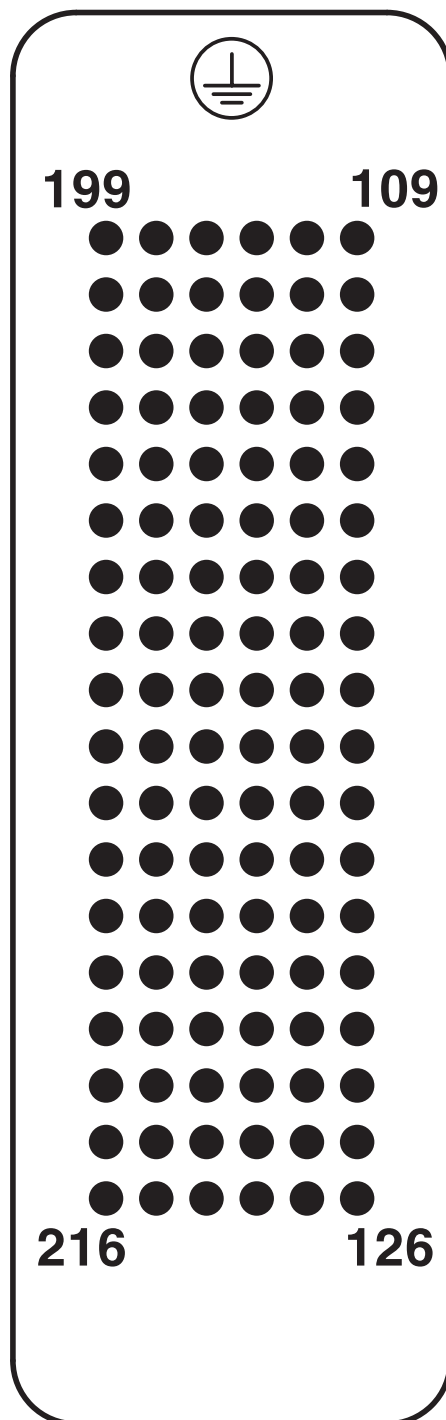
Derating diagram turned contacts

# HC-DD108-I-CT-M-216 - Contact insert

1584127

<https://www.phoenixcontact.com/in/products/1584127>

Schematic diagram

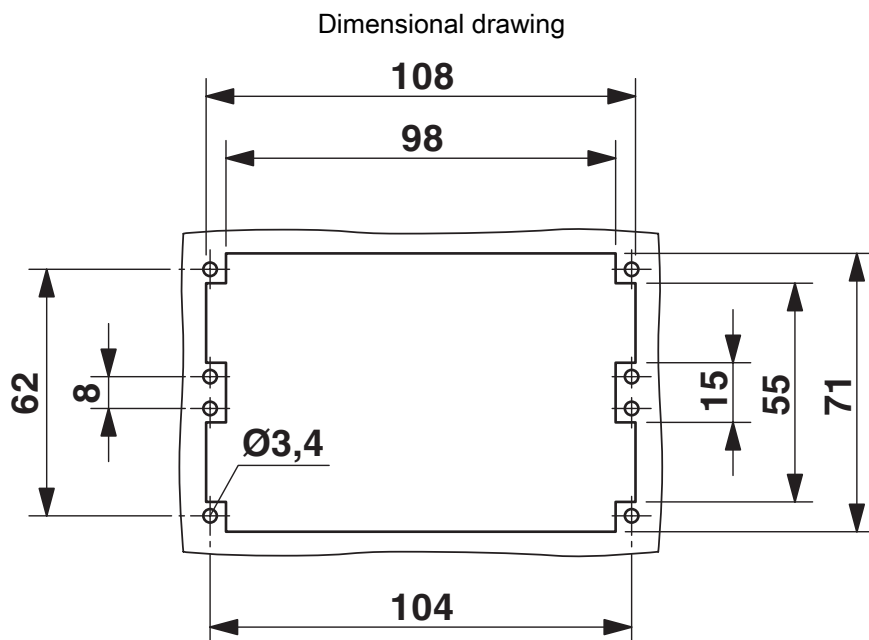


Connector pin assignment, connection side

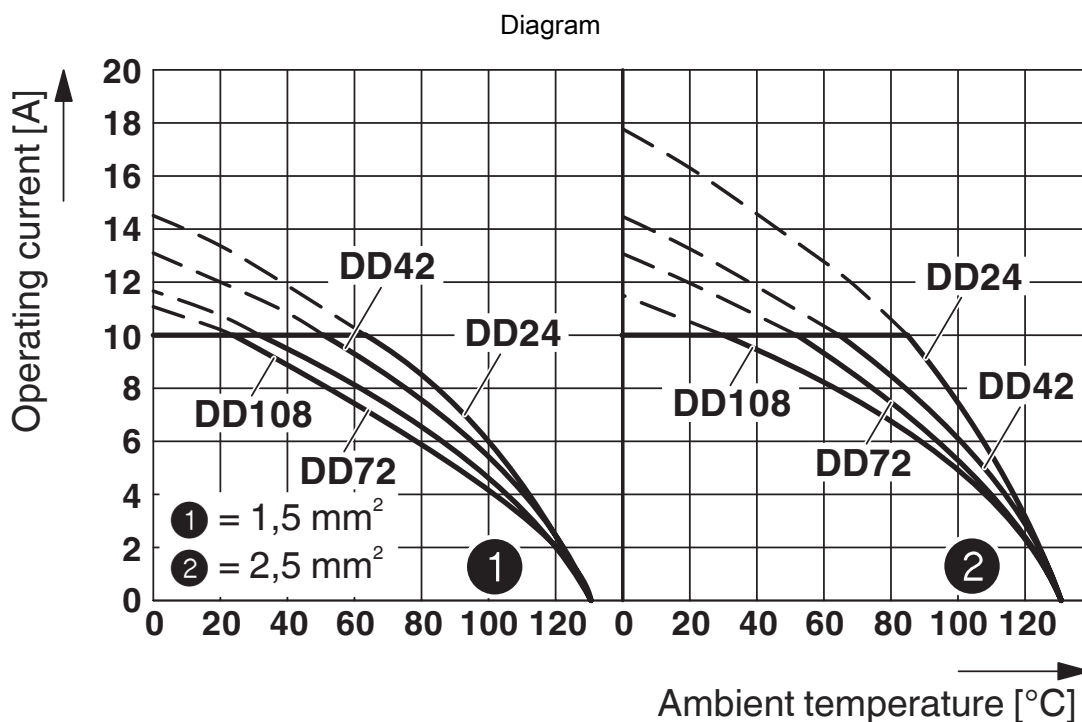
# HC-DD108-I-CT-M-216 - Contact insert

1584127

<https://www.phoenixcontact.com/in/products/1584127>



Mounting cutout when used without housing



Derating diagram

# HC-DD108-I-CT-M-216 - Contact insert




1584127

<https://www.phoenixcontact.com/in/products/1584127>

## Approvals


 <b>CSA</b> Approval ID: 013631_6233_01	Nominal Voltage $U_N$	Nominal Current $I_N$	Cross Section AWG	Cross Section $\text{mm}^2$
	250 V	7 A	26 - 14	-

 <b>cUL Recognized</b> Approval ID: FILE E 118976	Nominal Voltage $U_N$	Nominal Current $I_N$	Cross Section AWG	Cross Section $\text{mm}^2$
	250 V	7 A	- 14	-

 <b>UL Recognized</b> Approval ID: FILE E 118976	Nominal Voltage $U_N$	Nominal Current $I_N$	Cross Section AWG	Cross Section $\text{mm}^2$
	250 V	10 A	- 14	-

 <b>EAC</b> Approval ID: RU C-DE.AI30.B.01102				
---	--	--	--	--

 <b>cULus Recognized</b> Approval ID: E468743	Nominal Voltage $U_N$	Nominal Current $I_N$	Cross Section AWG	Cross Section $\text{mm}^2$
	250 V	7 A	- 14	-

 <b>EAC</b> Approval ID: RU C-DE.BL08.B.00511				
---	--	--	--	--

# HC-DD108-I-CT-M-216 - Contact insert



1584127

<https://www.phoenixcontact.com/in/products/1584127>

## Classifications

### ECLASS

ECLASS-11.0	27440205
ECLASS-12.0	27440205
ECLASS-13.0	27440205

### ETIM

ETIM 8.0	EC000438
----------	----------

### UNSPSC

UNSPSC 21.0	39121500
-------------	----------



# HC-DD108-I-CT-M-216 - Contact insert



1584127

<https://www.phoenixcontact.com/in/products/1584127>

## Environmental Product Compliance

China RoHS	Environmentally friendly use period: unlimited = EFUP-e
	No hazardous substances above threshold values

# HC-DD108-I-CT-M-216 - Contact insert

1584127

<https://www.phoenixcontact.com/in/products/1584127>

## Accessories

### HC-CST - Coding element

1676857

<https://www.phoenixcontact.com/in/products/1676857>



Coding peg for coding up to 16 connectors

---

### HC-CBU - Coding element

1676860

<https://www.phoenixcontact.com/in/products/1676860>



Coding socket for coding up to 16 connectors

# HC-DD108-I-CT-M-216 - Contact insert

1584127

<https://www.phoenixcontact.com/in/products/1584127>

## HC-B-PE-PT - Adapter

1054672

<https://www.phoenixcontact.com/in/products/1054672>



PE adapter with PT connection, for 1 PE connection, for HC-B / HC-BB / HC-DD / HC-D40 / HC-D64 contact inserts

---

## HC-B-2PE-PT - PE multiplier

1054675

<https://www.phoenixcontact.com/in/products/1054675>



PE adapter with PT connection, for 2 PE connections, for HC-B / HC-BB / HC-DD / HC-D40 / HC-D64 contact inserts

# HC-DD108-I-CT-M-216 - Contact insert

1584127

<https://www.phoenixcontact.com/in/products/1584127>

## HC-B-3PE - PE multiplier

1644326

<https://www.phoenixcontact.com/in/products/1644326>



PE multiplier, for 3 PE connections, for HC-B / HC-BB / HC-DD / HC-D40 / HC-D64 contact inserts

---

## HC-B-PES - Screw

1604997

<https://www.phoenixcontact.com/in/products/1604997>



PE screw, for contact inserts HC-B / HC-BB / HC-DD / HC-D40 / HC-D64

# HC-DD108-I-CT-M-216 - Contact insert

1584127

<https://www.phoenixcontact.com/in/products/1584127>

## HC-B-ZG - Strain relief clamp

1685327

<https://www.phoenixcontact.com/in/products/1685327>



Strain relief clamps contact inserts of series: B-, BB-, D 40, D 64, DD and HV, straight cable exit

---

## HC-B-ZS - Strain relief clamp

1685330

<https://www.phoenixcontact.com/in/products/1685330>



Strain relief clamps contact inserts of series: B-, BB-, D 40, D 64, DD and HV, lateral cable exit

# HC-DD108-I-CT-M-216 - Contact insert

1584127

<https://www.phoenixcontact.com/in/products/1584127>



## UNIFOX MT-CK 1.6/2.5 - Assembly tool

1089092

<https://www.phoenixcontact.com/in/products/1089092>



Assembly tool, for CK 1.6... crimp contacts for small conductor cross sections

---

## UNIFOX RT-CK 1.6 - Contact removal tool

1072069

<https://www.phoenixcontact.com/in/products/1072069>



Contact removal tool, for turned and rolled CK- 1.6-... contacts

# HC-DD108-I-CT-M-216 - Contact insert

1584127

<https://www.phoenixcontact.com/in/products/1584127>



## HC-CIF-B24-HFWL-PL - DIN rail mounting frame

1424337

<https://www.phoenixcontact.com/in/products/1424337>



DIN rail mounting frame, design: B24, for contact inserts, Top frame

---

## HC-B 24-ANDOCK - Docking frames

1586141

<https://www.phoenixcontact.com/in/products/1586141>



Docking frame for racks, for contact inserts of B24 type, with four M5 flat headed screws, rack balance x/y axis  $\pm 1.5$  mm

# HC-DD108-I-CT-M-216 - Contact insert

1584127

<https://www.phoenixcontact.com/in/products/1584127>



## HC-CIF-B06-24-BFAFL-PL - DIN rail mounting frame

1424338

<https://www.phoenixcontact.com/in/products/1424338>



DIN rail mounting frame, design: B6 - B24, for contact inserts, Base frame

---

## CK1,6-ED-0,37ST AG - Crimp contact

1663336

<https://www.phoenixcontact.com/in/products/1663336>



Crimp contact, contact diameter: 1.6 mm, turned, Pin, contact material: Copper alloy, contact surface: silver-plated, connection cross section: 0.14 mm<sup>2</sup> ... 0.37 mm<sup>2</sup>, AWG 26 ... 22



# HC-DD108-I-CT-M-216 - Contact insert

1584127

<https://www.phoenixcontact.com/in/products/1584127>

## CK1,6-ED-0,50ST AG - Crimp contact

1663349

<https://www.phoenixcontact.com/in/products/1663349>



Crimp contact, contact diameter: 1.6 mm, turned, Pin, contact material: Copper alloy, contact surface: silver-plated, connection cross section: 0.5 mm<sup>2</sup> ... 0.5 mm<sup>2</sup>, AWG 20

---

## CK1,6-ED-0,75ST AG - Crimp contact

1663352

<https://www.phoenixcontact.com/in/products/1663352>



Crimp contact, contact diameter: 1.6 mm, turned, Pin, contact material: Copper alloy, contact surface: silver-plated, connection cross section: 0.75 mm<sup>2</sup> ... 0.75 mm<sup>2</sup>, AWG 18

# HC-DD108-I-CT-M-216 - Contact insert



1584127

<https://www.phoenixcontact.com/in/products/1584127>

## CK1,6-ED-1,00ST AG - Crimp contact

1663365

<https://www.phoenixcontact.com/in/products/1663365>



Crimp contact, contact diameter: 1.6 mm, turned, Pin, contact material: Copper alloy, contact surface: silver-plated, connection cross section: 1 mm<sup>2</sup> ... 1 mm<sup>2</sup>, AWG 18

---

## CK1,6-ED-1,50ST AG - Crimp contact

1663378

<https://www.phoenixcontact.com/in/products/1663378>



Crimp contact, contact diameter: 1.6 mm, turned, Pin, contact material: Copper alloy, contact surface: silver-plated, connection cross section: 1.5 mm<sup>2</sup> ... 1.5 mm<sup>2</sup>, AWG 16

# HC-DD108-I-CT-M-216 - Contact insert

1584127

<https://www.phoenixcontact.com/in/products/1584127>



## CK1,6-ED-2,50ST AG - Crimp contact

1663381

<https://www.phoenixcontact.com/in/products/1663381>



Crimp contact, contact diameter: 1.6 mm, turned, Pin, contact material: Copper alloy, contact surface: silver-plated, connection cross section: 2.5 mm<sup>2</sup> ... 2.5 mm<sup>2</sup>, AWG 14

---

## CK1,6-ED-ST-POF - Male contact

1884995

<https://www.phoenixcontact.com/in/products/1884995>



POF fiber optic pin contact, turned, for contact carriers (HC-DD...I-CT.../ HC-M-12-CT-.../ HC-M-17-CT-...) of CK1,6-ED... contacts

# HC-DD108-I-CT-M-216 - Contact insert



1584127

<https://www.phoenixcontact.com/in/products/1584127>

## CK1,6-ED-0,37M AG - Crimp contact

1266193

<https://www.phoenixcontact.com/in/products/1266193>



Crimp contact, contact diameter: 1.6 mm, turned, Pin, contact material: Copper alloy, lead-free, contact surface: silver-plated, connection cross section: 0.14 mm<sup>2</sup> ... 0.34 mm<sup>2</sup>, AWG 26 ... 22

---

## CK1,6-ED-0,50M AG - Crimp contact

1266195

<https://www.phoenixcontact.com/in/products/1266195>



Crimp contact, contact diameter: 1.6 mm, turned, Pin, contact material: Copper alloy, lead-free, contact surface: silver-plated, connection cross section: 0.5 mm<sup>2</sup> ... 0.5 mm<sup>2</sup>, AWG 20

# HC-DD108-I-CT-M-216 - Contact insert



1584127

<https://www.phoenixcontact.com/in/products/1584127>

## CK1,6-ED-1,50M AG - Crimp contact

1266245

<https://www.phoenixcontact.com/in/products/1266245>



Crimp contact, contact diameter: 1.6 mm, turned, Pin, contact material: Copper alloy, lead-free, contact surface: silver-plated, connection cross section: 1.5 mm<sup>2</sup> ... 1.5 mm<sup>2</sup>, AWG 16

---

## CK1,6-ED-0,75M AG - Crimp contact

1266450

<https://www.phoenixcontact.com/in/products/1266450>



Crimp contact, contact diameter: 1.6 mm, turned, Pin, contact material: Copper alloy, lead-free, contact surface: silver-plated, connection cross section: 0.75 mm<sup>2</sup> ... 0.75 mm<sup>2</sup>, AWG 18

# HC-DD108-I-CT-M-216 - Contact insert

1584127

<https://www.phoenixcontact.com/in/products/1584127>

## CK1,6-ED-1,00M AG - Crimp contact

1266244

<https://www.phoenixcontact.com/in/products/1266244>



Crimp contact, contact diameter: 1.6 mm, turned, Pin, contact material: Copper alloy, lead-free, contact surface: silver-plated, connection cross section: 1 mm<sup>2</sup> ... 1 mm<sup>2</sup>, AWG 18

---

## CK1,6-ED-2,50M AG - Crimp contact

1266247

<https://www.phoenixcontact.com/in/products/1266247>



Crimp contact, contact diameter: 1.6 mm, turned, Pin, contact material: Copper alloy, lead-free, contact surface: silver-plated, connection cross section: 2.5 mm<sup>2</sup> ... 2.5 mm<sup>2</sup>, AWG 14

# HC-DD108-I-CT-M-216 - Contact insert

1584127

<https://www.phoenixcontact.com/in/products/1584127>



## CK1,6-ED-0,37ST AU - Crimp contact

1674901

<https://www.phoenixcontact.com/in/products/1674901>



Crimp contact, contact diameter: 1.6 mm, turned, Pin, contact material: Copper alloy, contact surface: gold-plated, connection cross section: 0.14 mm<sup>2</sup> ... 0.37 mm<sup>2</sup>, AWG 22 ... 24

---

## CK1,6-ED-0,50ST AU - Crimp contact

1672453

<https://www.phoenixcontact.com/in/products/1672453>



Crimp contact, contact diameter: 1.6 mm, turned, Pin, contact material: Copper alloy, contact surface: gold-plated, connection cross section: 0.5 mm<sup>2</sup> ... 0.5 mm<sup>2</sup>, AWG 20

# HC-DD108-I-CT-M-216 - Contact insert

1584127

<https://www.phoenixcontact.com/in/products/1584127>



## CK1,6-ED-0,75ST AU - Crimp contact

1674914

<https://www.phoenixcontact.com/in/products/1674914>



Crimp contact, contact diameter: 1.6 mm, turned, Pin, contact material: Copper alloy, contact surface: gold-plated, connection cross section: 0.75 mm<sup>2</sup> ... 0.75 mm<sup>2</sup>, AWG 18

---

## CK1,6-ED-1,00ST AU - Crimp contact

1674888

<https://www.phoenixcontact.com/in/products/1674888>



Crimp contact, contact diameter: 1.6 mm, turned, Pin, contact material: Copper alloy, contact surface: gold-plated, connection cross section: 1 mm<sup>2</sup> ... 1 mm<sup>2</sup>, AWG 18



# HC-DD108-I-CT-M-216 - Contact insert

1584127

<https://www.phoenixcontact.com/in/products/1584127>



## CK1,6-ED-1,50ST AU - Crimp contact

1674875

<https://www.phoenixcontact.com/in/products/1674875>



Crimp contact, contact diameter: 1.6 mm, turned, Pin, contact material: Copper alloy, contact surface: gold-plated, connection cross section: 1.5 mm<sup>2</sup> ... 1.5 mm<sup>2</sup>, AWG 16

---

## CK1,6-ED-2,50ST AU - Crimp contact

1674927

<https://www.phoenixcontact.com/in/products/1674927>



Crimp contact, contact diameter: 1.6 mm, turned, Pin, contact material: Copper alloy, contact surface: gold-plated, connection cross section: 2.5 mm<sup>2</sup> ... 2.5 mm<sup>2</sup>, AWG 14

# HC-DD108-I-CT-M-216 - Contact insert

1584127

<https://www.phoenixcontact.com/in/products/1584127>

## CK1,6-ER-1,00ST OIC AG - Crimp contact

1004360

<https://www.phoenixcontact.com/in/products/1004360>



Crimp contact, contact diameter: 1.6 mm, rolled, Pin, contact material: Cu alloy, nickel-plated, contact surface: silver-plated, connection cross section: 0.34 mm<sup>2</sup> ... 1 mm<sup>2</sup>, AWG 22 ... 17

---

## CK1,6-ER-2,50ST OIC AG - Crimp contact

1004365

<https://www.phoenixcontact.com/in/products/1004365>



Crimp contact, contact diameter: 1.6 mm, rolled, Pin, contact material: Cu alloy, nickel-plated, contact surface: silver-plated, connection cross section: 1.5 mm<sup>2</sup> ... 2.5 mm<sup>2</sup>, AWG 16 ... 14

# HC-DD108-I-CT-M-216 - Contact insert



1584127

<https://www.phoenixcontact.com/in/products/1584127>

## CK1,6-BR-1,00ST OIC AG - Crimp contact

1004380

<https://www.phoenixcontact.com/in/products/1004380>



Crimp contact, contact diameter: 1.6 mm, rolled, Pin, contact material: Cu alloy, nickel-plated, contact surface: silver-plated, connection cross section: 0.34 mm<sup>2</sup> ... 1 mm<sup>2</sup>, AWG 22 ... 17, Taped products

---

## CK1,6-BR-2,50ST OIC AG - Crimp contact

1004382

<https://www.phoenixcontact.com/in/products/1004382>



Crimp contact, contact diameter: 1.6 mm, rolled, Pin, contact material: Cu alloy, nickel-plated, contact surface: silver-plated, connection cross section: 1.5 mm<sup>2</sup> ... 2.5 mm<sup>2</sup>, AWG 16 ... 14, Taped products

# HC-DD108-I-CT-M-216 - Contact insert

1584127

<https://www.phoenixcontact.com/in/products/1584127>



## HC-DD108-I-CT-F-216 - Contact insert

1584143

<https://www.phoenixcontact.com/in/products/1584143>



HEAVYCON female insert, DD108 series, 108-pos., 109 ... 216 printed, crimp connection

---

Phoenix Contact 2023 © - all rights reserved

<https://www.phoenixcontact.com>

PHOENIX CONTACT (I) Pvt. Ltd.

A-58/2, Okhla Industrial Area, Phase - II, New Delhi-110 020

+91.1275.71420

[info@phoenixcontact.co.in](mailto:info@phoenixcontact.co.in)