

# KGS-MSTB 2,5/ 8 - Cable housing



1783779

<https://www.phoenixcontact.com/in/products/1783779>

Please be informed that the data shown in this PDF document is generated from our Online Catalog. Please find the complete data in the user documentation. Our General Terms of Use for Downloads are valid.

Cable housing, pitch: 0 mm, number of positions: 8, dimension a: 40 mm, color: green



## Commercial Data

Item number	1783779
Packing unit	10 pc
Minimum order quantity	10 pc
Sales Key	AAH
Product Key	AAHZDD
Catalog Page	Page 349 (C-1-2013)
GTIN	4017918041960
Weight per Piece (including packing)	15.15 g
Weight per Piece (excluding packing)	14.42 g
Customs tariff number	85389099
Country of origin	PL

# KGS-MSTB 2,5/ 8 - Cable housing

1783779

<https://www.phoenixcontact.com/in/products/1783779>

## Technical Data

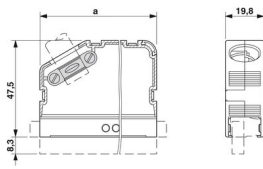
### Product properties

Product type	Cable housing
Product family	KGS-MSTB 2,5
Number of positions	8
Pitch	0.00 mm

### Material specifications

Color	green
Flammability rating according to UL 94	HB
Insulating material group	I
Insulating material	ABS
Temperature index of insulation material (DIN EN 60216-1 (VDE 0304-21))	80 °C
Relative insulation material temperature index (Elec., UL 746 B)	90 °C

### Dimensions

Dimensional drawing	
Width	19.8 mm
Height	55.8 mm
Pitch	0.00 mm

# KGS-MSTB 2,5/ 8 - Cable housing

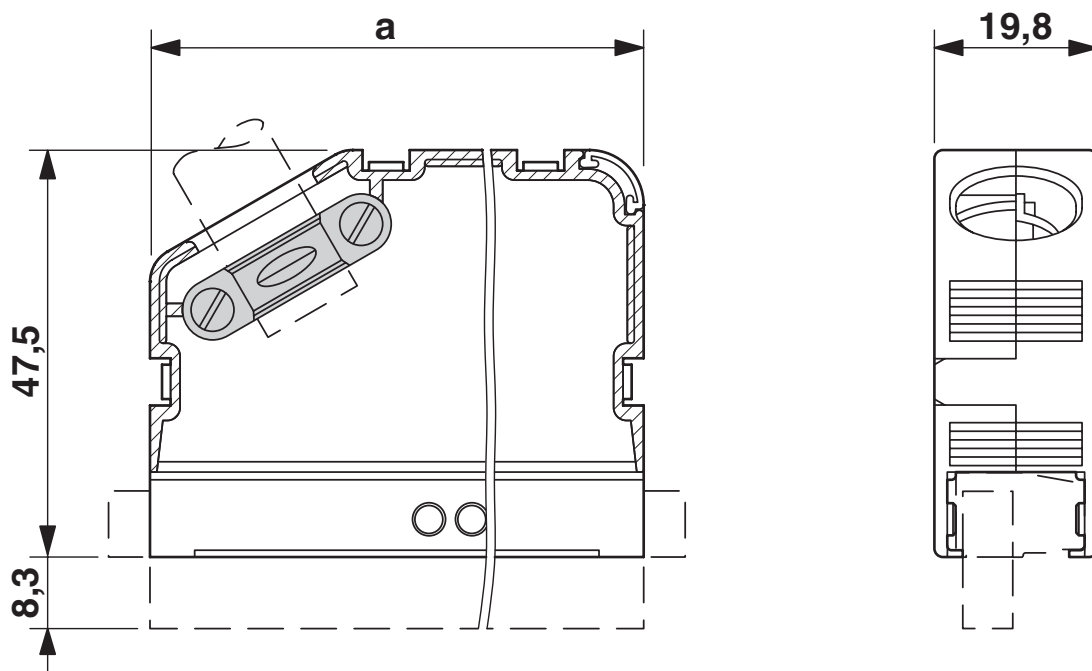
1783779

<https://www.phoenixcontact.com/in/products/1783779>



## Drawings

Dimensional drawing



# KGS-MSTB 2,5/ 8 - Cable housing

1783779

<https://www.phoenixcontact.com/in/products/1783779>



## Approvals



**EAC**

Approval ID: B.01687

# KGS-MSTB 2,5/ 8 - Cable housing



1783779

<https://www.phoenixcontact.com/in/products/1783779>

## Classifications

### ECLASS

ECLASS-11.0	27460402
ECLASS-12.0	27460402
ECLASS-12.0	27460402
ECLASS-12.0	27460402

### ETIM

ETIM 8.0	EC002943
----------	----------

### UNSPSC

UNSPSC 21.0	39121400
-------------	----------

# KGS-MSTB 2,5/ 8 - Cable housing



1783779

<https://www.phoenixcontact.com/in/products/1783779>

## Environmental Product Compliance

China RoHS	Environmentally friendly use period: unlimited = EFUP-e
	No hazardous substances above threshold values

# KGS-MSTB 2,5/ 8 - Cable housing

1783779

<https://www.phoenixcontact.com/in/products/1783779>

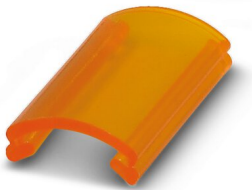


## Accessories

### KGS-MSTB 2,5/ DST - Cable housing

1784914

<https://www.phoenixcontact.com/in/products/1784914>



Transparent label carrier, can be marked with marker strips SBS 2.5/7.5

---

### SBS 2,5/7,5 - Marker for terminal blocks

1007604

<https://www.phoenixcontact.com/in/products/1007604>



Marker for terminal blocks, Card, white, unlabeled, can be labeled with: Marker pen, perforated, mounting type: snap in, snap into flat marker groove, for terminal block width: 7.5 mm, lettering field size: 15 x 7.5 mm, Number of individual labels: 10

# KGS-MSTB 2,5/ 8 - Cable housing

1783779

<https://www.phoenixcontact.com/in/products/1783779>



## KD-KGS-MSTB - Accessories

1804658

<https://www.phoenixcontact.com/in/products/1804658>



Molded cable strain relief, suitable for KGS-... cable housings, prevents the cable from being bent

---

## MSTB 2,5/ 8-ST - PCB connector

1754562

<https://www.phoenixcontact.com/in/products/1754562>



PCB connector, nominal cross section: 2.5 mm<sup>2</sup>, color: green, nominal current: 12 A, rated voltage (III/2): 320 V, contact surface: Tin, type of contact: Socket, number of potentials: 8, number of rows: 1, number of positions: 8, number of connections: 8, product range: MSTB 2,5/..-ST, pitch: 5 mm, connection method: Screw connection with tension sleeve, screw head form: L Slotted, conductor/PCB connection direction: 0 °, locking clip: - Locking clip, plug-in system: COMBICON MSTB 2,5, locking: without, mounting: without, type of packaging: packed in cardboard



# KGS-MSTB 2,5/ 8 - Cable housing

1783779

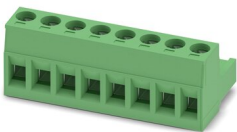
<https://www.phoenixcontact.com/in/products/1783779>



## MSTB 2,5/ 8-ST-5,08 - PCB connector

1757077

<https://www.phoenixcontact.com/in/products/1757077>



PCB connector, nominal cross section: 2.5 mm<sup>2</sup>, color: green, nominal current: 12 A, rated voltage (III/2): 320 V, contact surface: Tin, type of contact: Socket, number of potentials: 8, number of rows: 1, number of positions: 8, number of connections: 8, product range: MSTB 2,5/..-ST, pitch: 5.08 mm, connection method: Screw connection with tension sleeve, screw head form: L Slotted, conductor/PCB connection direction: 0 °, locking clip: - Locking clip, plug-in system: COMBICON MSTB 2,5, locking: without, mounting: without, type of packaging: packed in cardboard

---

## MSTB 2,5/ 8-STF - PCB connector

1786899

<https://www.phoenixcontact.com/in/products/1786899>



PCB connector, nominal cross section: 2.5 mm<sup>2</sup>, color: green, nominal current: 12 A, rated voltage (III/2): 320 V, contact surface: Tin, type of contact: Socket, number of potentials: 8, number of rows: 1, number of positions: 8, number of connections: 8, product range: MSTB 2,5/..-STF, pitch: 5 mm, connection method: Screw connection with tension sleeve, screw head form: L Slotted, conductor/PCB connection direction: 0 °, locking clip: - without locking clip, plug-in system: COMBICON MSTB 2,5, locking: Screw locking, mounting: Screw flange, type of packaging: packed in cardboard

# KGS-MSTB 2,5/ 8 - Cable housing

1783779

<https://www.phoenixcontact.com/in/products/1783779>

## MSTB 2,5/ 8-STF-5,08 - PCB connector

1778043

<https://www.phoenixcontact.com/in/products/1778043>



PCB connector, nominal cross section: 2.5 mm<sup>2</sup>, color: green, nominal current: 12 A, rated voltage (III/2): 320 V, contact surface: Tin, type of contact: Socket, number of potentials: 8, number of rows: 1, number of positions: 8, number of connections: 8, product range: MSTB 2,5/..-STF, pitch: 5.08 mm, connection method: Screw connection with tension sleeve, screw head form: L Slotted, conductor/PCB connection direction: 0 °, locking clip: - without locking clip, plug-in system: COMBICON MSTB 2,5, locking: Screw locking, mounting: Screw flange, type of packaging: packed in cardboard

---

## IC 2,5/ 8-ST-5,08 - PCB connector

1786239

<https://www.phoenixcontact.com/in/products/1786239>



PCB connector, nominal cross section: 2.5 mm<sup>2</sup>, color: green, nominal current: 12 A, rated voltage (III/2): 320 V, contact surface: Tin, type of contact: Pin, number of potentials: 8, number of rows: 1, number of positions: 8, number of connections: 8, product range: IC 2,5/..-ST, pitch: 5.08 mm, connection method: Screw connection with tension sleeve, screw head form: L Slotted, conductor/PCB connection direction: 0 °, locking clip: - without locking clip, plug-in system: COMBICON MSTB 2,5, locking: without, mounting: without, type of packaging: packed in cardboard

# KGS-MSTB 2,5/ 8 - Cable housing



1783779

<https://www.phoenixcontact.com/in/products/1783779>

## IC 2,5/ 8-STF-5,08 - PCB connector

1825378

<https://www.phoenixcontact.com/in/products/1825378>



PCB connector, nominal cross section: 2.5 mm<sup>2</sup>, color: green, nominal current: 12 A, rated voltage (III/2): 320 V, contact surface: Tin, type of contact: Pin, number of potentials: 8, number of rows: 1, number of positions: 8, number of connections: 8, product range: IC 2,5/-STF, pitch: 5.08 mm, connection method: Screw connection with tension sleeve, screw head form: L Slotted, conductor/PCB connection direction: 0 °, locking clip: - without locking clip, plug-in system: COMBICON MSTB 2,5, locking: Screw locking, mounting: Screw flange, type of packaging: packed in cardboard

---

Phoenix Contact 2023 © - all rights reserved

<https://www.phoenixcontact.com>

PHOENIX CONTACT (I) Pvt. Ltd.

A-58/2, Okhla Industrial Area, Phase - II, New Delhi-110 020

+91.1275.71420

[info@phoenixcontact.co.in](mailto:info@phoenixcontact.co.in)