

MINI MCR-BL-UI-UI - Signal conditioner



1070346

<https://www.phoenixcontact.com/in/products/1070346>

Please be informed that the data shown in this PDF document is generated from our Online Catalog. Please find the complete data in the user documentation. Our General Terms of Use for Downloads are valid.



3-way isolating amplifier for the electrical isolation of analog signals, I/O can be configured via DIP switches, with screw connection, standard configuration

Commercial Data

Item number	1070346
Packing unit	1 pc
Minimum order quantity	1 pc
Sales Key	CK1
Product Key	CK1211
GTIN	4055626749815
Weight per Piece (including packing)	67.7 g
Weight per Piece (excluding packing)	59 g
Customs tariff number	85437090
Country of origin	DE

Technical Data

Notes

Utilization restriction

EMC note	EMC: class A product, see manufacturer's declaration in the download area
----------	---

Product properties

Product type	Signal conditioner
Product family	MINI Analog

Insulation characteristics

Overvoltage category	II
Pollution degree	2

Electrical properties

Electrical isolation	3-way isolation
Electrical isolation between input and output	yes
Limit frequency (3 dB)	approx. 100 Hz
Step response (10-90%)	□ 3.2 ms
Temperature coefficient, typical	< 0.002 %/K
Maximum transmission error	< 0.2 % (of final value)
	< 0.5 % (Without adjustment)

Electrical isolation Input/output/power supply

Rated insulation voltage	50 V AC/DC
Test voltage	1.5 kV AC (50 Hz, 60 s)
Insulation	Basic insulation in accordance with IEC/EN 61010

Supply

Nominal supply voltage	24 V DC
Supply voltage range	19.2 V DC ... 30 V DC (The DIN rail connector (ME 6,2 TBUS-2 1,5/5-ST-3,81 GN, item no. 2869728) can be used to bridge the supply voltage. It can be snapped onto a 35 mm DIN rail in accordance with EN 60715)
Max. current consumption	< 19 mA (Current output, at 24 V DC incl. load)
	< 9 mA (Voltage output, at 24 V DC incl. load)
Power consumption	< 450 mW (Current output)
	< 200 mW (Voltage output)

Input data

Signal: Voltage/current

Number of inputs	1
Configurable/programmable	Yes, preconfigured
	0 V ... 10 V

MINI MCR-BL-UI-UI - Signal conditioner



1070346

<https://www.phoenixcontact.com/in/products/1070346>

Voltage input signal	0 V ... 5 V
	1 V ... 5 V
	2 V ... 10 V
Max. voltage input signal	30 V
Current input signal	0 mA ... 20 mA
	4 mA ... 20 mA
Max. current input signal	50 mA
Input resistance of voltage input	approx. 100 k Ω
Input resistance current input	approx. 50 Ω

Output data

Signal: Voltage/current

Voltage output signal	0 V ... 10 V
	0 V ... 5 V
	1 V ... 5 V
	2 V ... 10 V
Max. voltage output signal	approx. 12.5 V
Non-load voltage	approx. 12.5 V
Current output signal	0 mA ... 20 mA
	4 mA ... 20 mA
Max. current output signal	28 mA
Short-circuit current	approx. 22 mA
Load/output load voltage output	≥ 10 k Ω
Load/output load current output	< 500 Ω (at 20 mA)
Ripple	< 20 mV _{PP} (at 500 Ω)

Connection data

Connection method	Screw connection
Stripping length	12 mm
Screw thread	M3
Conductor cross section rigid	0.2 mm ² ... 2.5 mm ²
Conductor cross section flexible	0.2 mm ² ... 2.5 mm ²
Conductor cross section AWG	26 ... 12

Dimensions

Width	6.2 mm
Height	93.1 mm
Depth	101.2 mm

Material specifications

Housing material	PBT
------------------	-----

Environmental and real-life conditions

Ambient conditions

MINI MCR-BL-UI-UI - Signal conditioner



1070346

<https://www.phoenixcontact.com/in/products/1070346>

Degree of protection	IP20
Ambient temperature (operation)	-10 °C ... 60 °C
Ambient temperature (storage/transport)	-20 °C ... 65 °C

Approvals

CE

Certificate	CE-compliant
-------------	--------------

UKCA

Certificate	UKCA-compliant
-------------	----------------

EMC data

Noise immunity	EN 61000-6-2
Note	When being exposed to interference, there may be minimal deviations.
Electromagnetic compatibility	Conformance with EMC directive
Noise emission	EN 61000-6-4

Standards and regulations

Electrical isolation	3-way isolation
----------------------	-----------------

Mounting

Mounting type	DIN rail mounting
Mounting position	any

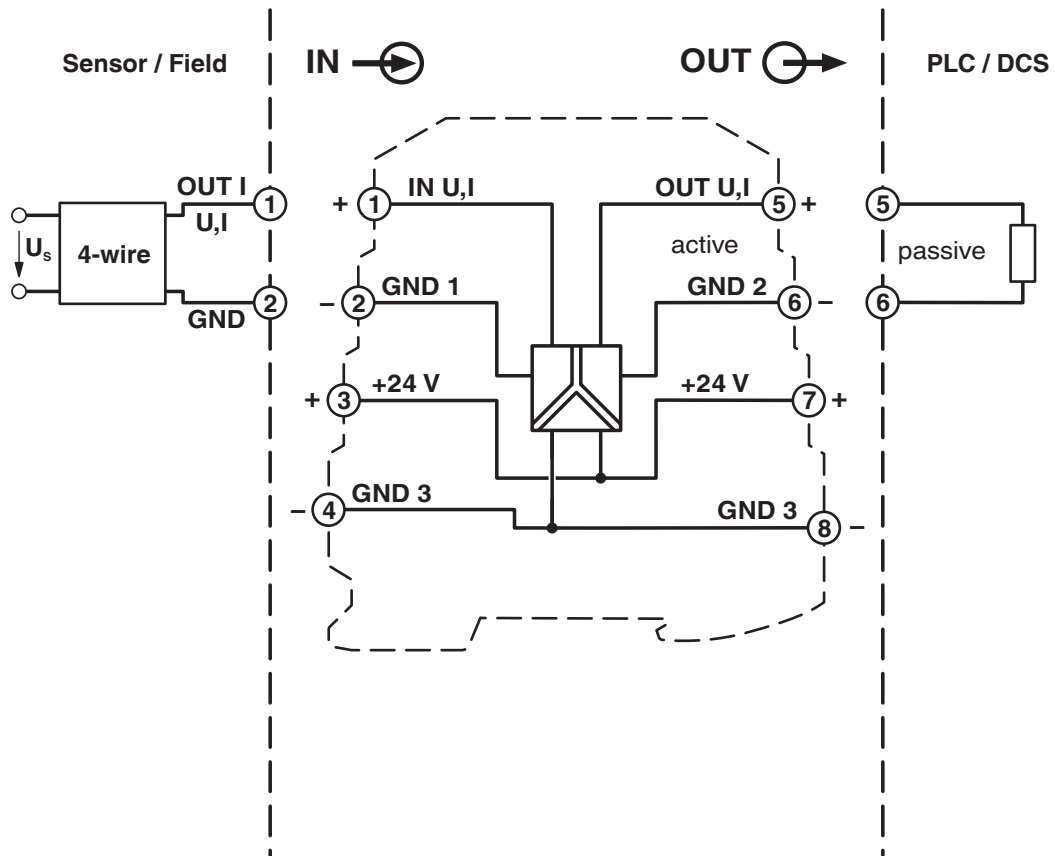
MINI MCR-BL-UI-UI - Signal conditioner

1070346

<https://www.phoenixcontact.com/in/products/1070346>

Drawings

Block diagram



MINI MCR-BL-UI-UI - Signal conditioner



1070346

<https://www.phoenixcontact.com/in/products/1070346>

Classifications

ECLASS

ECLASS-11.0	27210120
ECLASS-12.0	27210120
ECLASS-13.0	27210120

ETIM

ETIM 8.0	EC002653
----------	----------

UNSPSC

UNSPSC 21.0	39121000
-------------	----------

MINI MCR-BL-UI-UI - Signal conditioner



1070346

<https://www.phoenixcontact.com/in/products/1070346>

Environmental Product Compliance

REACH SVHC	Lead 7439-92-1
China RoHS	Environmentally Friendly Use Period = 50 years
	For information on hazardous substances, refer to the manufacturer's declaration available under "Downloads"

MINI MCR-BL-UI-UI - Signal conditioner



1070346

<https://www.phoenixcontact.com/in/products/1070346>

Accessories

MINI MCR DKL - Transparent cover

2308111

<https://www.phoenixcontact.com/in/products/2308111>



Fold up transparent cover for MINI MCR modules with additional labeling option using insert strips and flat Zack marker strip 6.2 mm

MINI MCR-DKL-LABEL - Marking label

2810272

<https://www.phoenixcontact.com/in/products/2810272>



Label for extended marking of MINI MCR modules in connection with the MINI MCR-DKL

Phoenix Contact 2023 © - all rights reserved

<https://www.phoenixcontact.com>

PHOENIX CONTACT (I) Pvt. Ltd.

A-58/2, Okhla Industrial Area, Phase - II, New Delhi-110 020

+91.1275.71420

info@phoenixcontact.co.in