

LV-120-230AC/110DC - Plug-in module



2833738

<https://www.phoenixcontact.com/in/products/2833738>

Please be informed that the data shown in this PDF document is generated from our Online Catalog. Please find the complete data in the user documentation. Our General Terms of Use for Downloads are valid.

Plug-in module, with varistor and yellow LED, input voltage: 120 ... 230 V AC / 110 V DC ± 20 %



Your advantages

- Mechanical coding to protect against mismatching
- Attenuation of reverse voltage induced in coil

Commercial Data

Item number	2833738
Packing unit	10 pc
Minimum order quantity	10 pc
Sales Key	CK6
Product Key	CK6346
Catalog Page	Page 392 (C-7-2015)
GTIN	4017918933920
Weight per Piece (including packing)	2.94 g
Weight per Piece (excluding packing)	2.84 g
Customs tariff number	85366990
Country of origin	CN

LV-120-230AC/110DC - Plug-in module



2833738

<https://www.phoenixcontact.com/in/products/2833738>

Technical Data

Product properties

Product type	Plug-in module
Product family	ESSENTIAL edition

Electrical properties

Nominal voltage U_N	110 V DC
	120 V AC ... 230 V AC

Input data

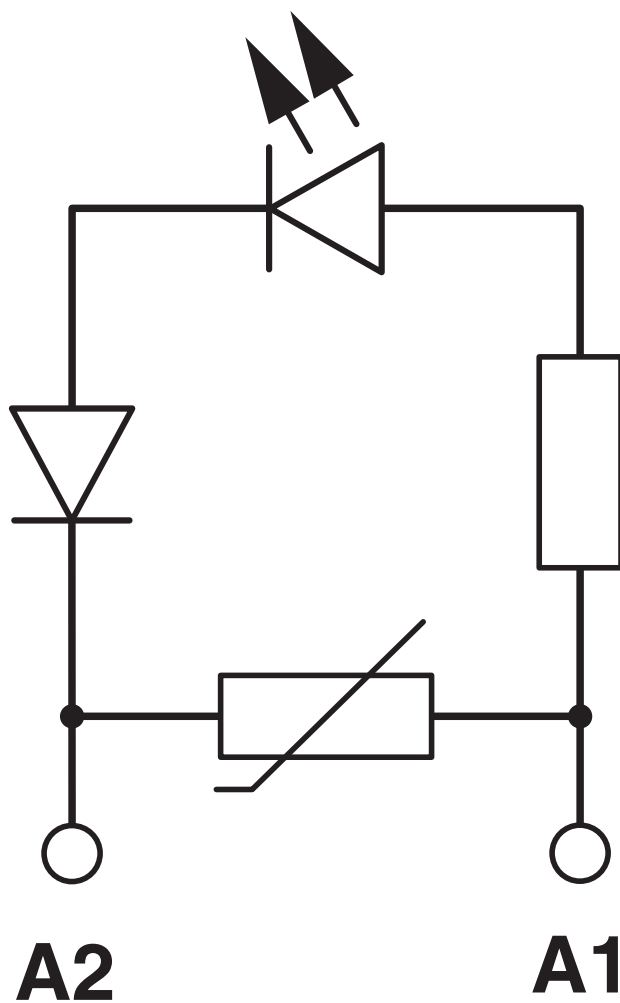
Input voltage range	120 V AC ... 230 V AC
Protective circuit	Varistor, LED

Mounting

Mounting type	Plug-in mounting
---------------	------------------

Drawings

Circuit diagram



LV-120-230AC/110DC - Plug-in module



2833738

<https://www.phoenixcontact.com/in/products/2833738>

Approvals



cUL Recognized

Approval ID: FILE E 140324



UL Recognized

Approval ID: FILE E 140324



EAC

Approval ID: RU C-DE.A*08.B.00777

LV-120-230AC/110DC - Plug-in module



2833738

<https://www.phoenixcontact.com/in/products/2833738>

Classifications

ECLASS

ECLASS-11.0	27371692
ECLASS-12.0	27371692
ECLASS-13.0	27371692

ETIM

ETIM 8.0	EC002586
----------	----------

UNSPSC

UNSPSC 21.0	39122300
-------------	----------

LV-120-230AC/110DC - Plug-in module



2833738

<https://www.phoenixcontact.com/in/products/2833738>

Environmental Product Compliance

China RoHS	Environmentally friendly use period: unlimited = EFUP-e
	No hazardous substances above threshold values

Phoenix Contact 2023 © - all rights reserved
<https://www.phoenixcontact.com>

PHOENIX CONTACT (I) Pvt. Ltd.
A-58/2, Okhla Industrial Area, Phase - II, New Delhi-110 020

+91.1275.71420
info@phoenixcontact.co.in