

DFK 4-SI(6,3X32) BK - Fuse panel feed-through terminal block



0708344

<https://www.phoenixcontact.com/in/products/0708344>

Please be informed that the data shown in this PDF document is generated from our Online Catalog. Please find the complete data in the user documentation. Our General Terms of Use for Downloads are valid.



Panel feed-through terminal block, number of positions: 1, width: 12.2 mm

Commercial Data

Item number	0708344
Packing unit	50 pc
Minimum order quantity	50 pc
Note	Made to Order (non-returnable)
Sales Key	AA1
Product Key	AA1ABC
Catalog Page	Page 639 (C-1-2013)
GTIN	4017918004613
Weight per Piece (including packing)	16.48 g
Weight per Piece (excluding packing)	16.48 g
Customs tariff number	85369010
Country of origin	BG

DFK 4-SI(6,3X32) BK - Fuse panel feed-through terminal block

0708344

<https://www.phoenixcontact.com/in/products/0708344>

Technical Data

Product properties

Product type	Panel feed-through terminal block
Product family	DFK 4
Number of positions	1
Pitch	6 mm
Number of connections	2
Number of rows	1

Insulation characteristics

Overvoltage category	III
Degree of pollution	3

Electrical properties

Maximum load current	10 A
	6.3 A
Rated surge voltage	4 kV

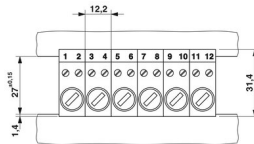
Mounting

Plate thickness	1.5 mm
-----------------	--------

Material specifications

Color	black
Flammability rating according to UL 94	V2
Insulating material group	I
Insulating material	PA
Contact surface	Tin Sn

Dimensions

Dimensional drawing	
Width	12.2 mm
Height	33 mm
Length	51 mm
Pitch	6 mm
Plate thickness	1.5 mm

Packaging specifications

Type of packaging	packed in cardboard
-------------------	---------------------

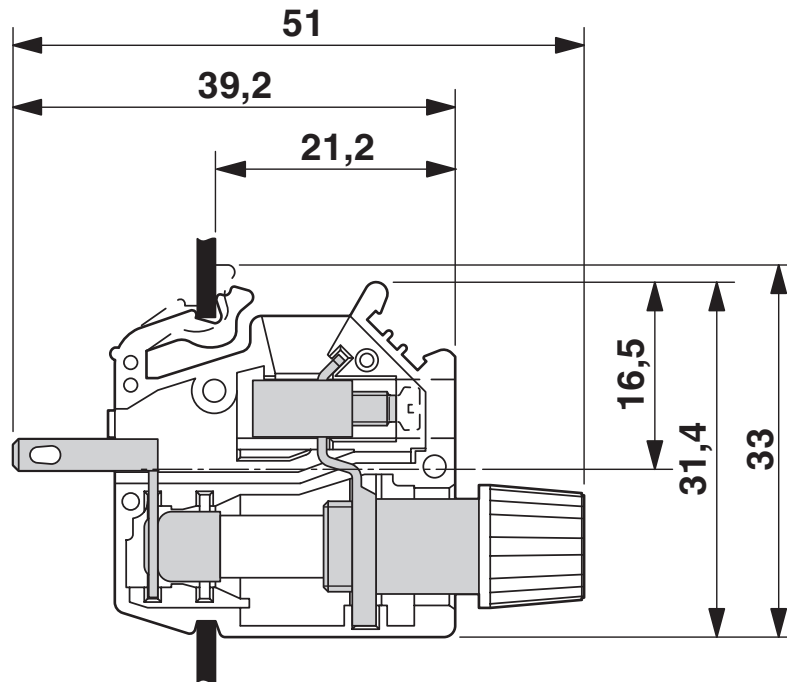
DFK 4-SI(6,3X32) BK - Fuse panel feed-through terminal block

0708344

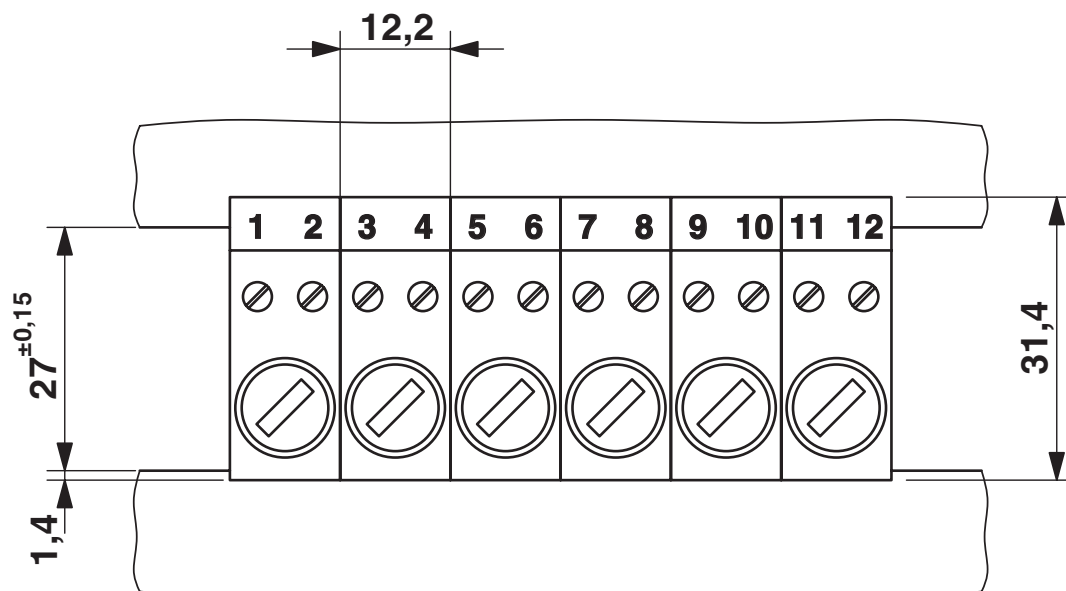
<https://www.phoenixcontact.com/in/products/0708344>

Drawings

Dimensional drawing



Dimensional drawing




DFK 4-SI(6,3X32) BK - Fuse panel feed-through terminal block





0708344

<https://www.phoenixcontact.com/in/products/0708344>

Approvals

 CSA Approval ID: 13631				
	Nominal Voltage U_N	Nominal Current I_N	Cross Section AWG	Cross Section mm^2
Use group B				
	250 V	8 A	28 - 10	-
Use group D				
	300 V	8 A	28 - 10	-

 UL Recognized Approval ID: FILE E 60425				
	Nominal Voltage U_N	Nominal Current I_N	Cross Section AWG	Cross Section mm^2
Use group B				
	250 V	8 A	30 - 10	-
Use group D				
	300 V	8 A	30 - 10	-

 EAC Approval ID: B.01687				
--	--	--	--	--

DFK 4-SI(6,3X32) BK - Fuse panel feed-through terminal block



0708344

<https://www.phoenixcontact.com/in/products/0708344>

Classifications

ECLASS

ECLASS-11.0

27141134

ETIM

ETIM 8.0

EC001283

UNSPSC

UNSPSC 21.0

39121400

DFK 4-SI(6,3X32) BK - Fuse panel feed-through terminal block



0708344

<https://www.phoenixcontact.com/in/products/0708344>

Environmental Product Compliance

China RoHS	Environmentally friendly use period: unlimited = EFUP-e
	No hazardous substances above threshold values

DFK 4-SI(6,3X32) BK - Fuse panel feed-through terminal block



0708344

<https://www.phoenixcontact.com/in/products/0708344>

Accessories

SBS 6:UNBEDRUCKT - Marker card

1007222

<https://www.phoenixcontact.com/in/products/1007222>



Marker card, Card, white, unlabeled, can be labeled with: Marker pen, mounting type: snapped, snap into flat marker groove, for terminal block width: 6 mm, lettering field size: 6 x 6.1 mm, Number of individual labels: 250

Phoenix Contact 2023 © - all rights reserved
<https://www.phoenixcontact.com>

PHOENIX CONTACT (I) Pvt. Ltd.
A-58/2, Okhla Industrial Area, Phase - II, New Delhi-110 020

+91.1275.71420
info@phoenixcontact.co.in