

AI 0,5 - 8 WH-B - Ferrule

3201369

<https://www.phoenixcontact.com/in/products/3201369>



Please be informed that the data shown in this PDF document is generated from our Online Catalog. Please find the complete data in the user documentation. Our General Terms of Use for Downloads are valid.

Ferrules, 0.5 mm², taped, sleeve length: 8 mm, with plastic collar, galvanically tin-plated, color: white, color range according to DIN 46228-4, CSA-certified



Your advantages

- The taped ferrules were developed specifically for the crimping machine CF 3000 -2,5
- Available in the main color ranges up to 2.5 mm²
- Can be used to wire all terminal blocks, especially those of the CLIPLINE complete system

Commercial Data

| | |
|--------------------------------------|---------------------|
| Item number | 3201369 |
| Packing unit | 1,000 pc |
| Minimum order quantity | 1,000 pc |
| Sales Key | BH3 |
| Product Key | BH3414 |
| Catalog Page | Page 515 (C-3-2019) |
| GTIN | 4017918094867 |
| Weight per Piece (including packing) | 0.124 g |
| Weight per Piece (excluding packing) | 0.115 g |
| Customs tariff number | 85369010 |
| Country of origin | DE |

Technical Data

Product properties

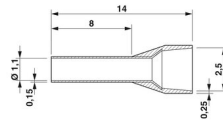
| | |
|--------------------|---|
| Product type | Cable end sleeve |
| Conductor category | stranded conductors, class 2, 5, 6 / B, C, K, M |

Connection data

Conductor connection

| | |
|---------------------------------------|---------------------|
| Conductor cross section flexible max. | 0.5 mm ² |
| Conductor cross section AWG max. | 20 |
| Stripping length | 11 mm |

Dimensions

| | |
|---|---|
| Dimensional drawing |  |
| Length | 14 mm |
| Sleeve length | 8 mm |
| Maximum stripping length | 11 mm |
| Ferrule diameter | 1.1 mm |
| Sleeve wall thickness | 0.15 mm |
| Insulating collar thickness | 0.25 mm |
| Inner dimensions of the insulating collar | 2.5 mm |

Material specifications

| | |
|--|--------------------------------|
| Color | white |
| Material | CU-DHP |
| Flammability rating according to UL 94 | HB |
| Coating | tin-plated (galvanic) |
| Components | free from silicone and halogen |

Mechanical properties

Technical data

| | |
|---------------|------|
| Sleeve length | 8 mm |
|---------------|------|

Environmental and real-life conditions

Ambient conditions

| | |
|------------------------|---|
| Permanent temperature | 105 °C (-40 °C no load / 0 °C dynamic load) |
| Short-term temperature | 120 °C |

AI 0,5 - 8 WH-B - Ferrule

3201369

<https://www.phoenixcontact.com/in/products/3201369>



Standards and regulations

Design according to standard

DIN 46228-4, UL 486F-E, NFC 63-023

AI 0,5 - 8 WH-B - Ferrule

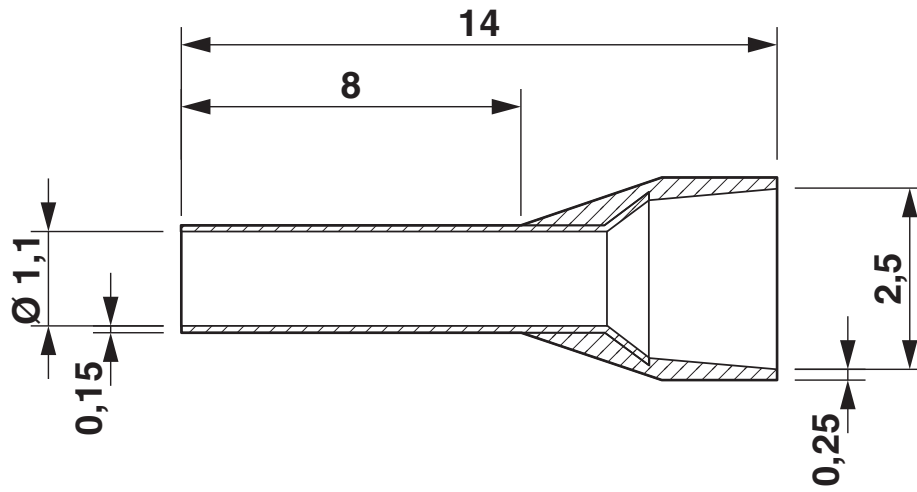
3201369

<https://www.phoenixcontact.com/in/products/3201369>



Drawings

Dimensional drawing



AI 0,5 - 8 WH-B - Ferrule

3201369

<https://www.phoenixcontact.com/in/products/3201369>



Approvals



UL Listed

Approval ID: E488001



cUL Listed

Approval ID: E488001

AI 0,5 - 8 WH-B - Ferrule

3201369

<https://www.phoenixcontact.com/in/products/3201369>



Classifications

ECLASS

| | |
|-------------|----------|
| ECLASS-11.0 | 27400201 |
| ECLASS-13.0 | 27400201 |
| ECLASS-12.0 | 27400201 |

ETIM

| | |
|----------|----------|
| ETIM 8.0 | EC000005 |
|----------|----------|

UNSPSC

| | |
|-------------|----------|
| UNSPSC 21.0 | 27121700 |
|-------------|----------|

AI 0,5 - 8 WH-B - Ferrule

3201369

<https://www.phoenixcontact.com/in/products/3201369>



Environmental Product Compliance

| | |
|------------|---|
| China RoHS | Environmentally friendly use period: unlimited = EFUP-e |
| | No hazardous substances above threshold values |

AI 0,5 - 8 WH-B - Ferrule

3201369

<https://www.phoenixcontact.com/in/products/3201369>



Accessories

CRIMPFOX CENTRUS 6S - Crimping pliers

1213144

<https://www.phoenixcontact.com/in/products/1213144>



Crimping pliers, for uninsulated and insulated ferrules, DIN 46228 Part 1 and 4, from 0.14 mm² ... 6 mm², also for TWIN ferrules up to 2 x 4 mm², automatic cross section adjustment, lateral insertion, equipped with fall protection

CRIMPFOX CENTRUS 6H - Crimping pliers

1213146

<https://www.phoenixcontact.com/in/products/1213146>



Crimping pliers, for uninsulated and insulated ferrules, DIN 46228 Part 1 and 4, from 0.14 mm² ... 6 mm², also for TWIN ferrules up to 2 x 4 mm², automatic cross section adjustment, lateral insertion, equipped with fall protection

AI 0,5 - 8 WH-B - Ferrule

3201369

<https://www.phoenixcontact.com/in/products/3201369>



CRIMPFOX CENTRUS 10S - Crimping pliers

1213154

<https://www.phoenixcontact.com/in/products/1213154>



Crimping pliers, for uninsulated and insulated ferrules, DIN 46228 Part 1 and 4, from 0.14 mm² ... 10 mm², also for TWIN ferrules up to 2 x 4 mm², automatic cross section adjustment, lateral insertion, equipped with fall protection

CRIMPFOX CENTRUS 10H - Crimping pliers

1213156

<https://www.phoenixcontact.com/in/products/1213156>



Crimping pliers, for uninsulated and insulated ferrules, DIN 46228 Part 1 and 4, from 0.14 mm² ... 10 mm², also for TWIN ferrules up to 2 x 4 mm², automatic cross section adjustment, lateral insertion, equipped with fall protection

AI 0,5 - 8 WH-B - Ferrule

3201369

<https://www.phoenixcontact.com/in/products/3201369>



CRIMPFOX 10S - Crimping pliers

1212045

<https://www.phoenixcontact.com/in/products/1212045>



Crimping pliers, for ferrules without insulating collar according to DIN 46228 Part 1 and ferrules with insulating collar according to DIN 46228 Part 4, 0.14 mm² ... 10 mm², unlockable pressure lock, lateral entry

CRIMPFOX 6H - Crimping pliers

1212046

<https://www.phoenixcontact.com/in/products/1212046>



Crimping pliers, for ferrules without insulating collar according to DIN 46228 Part 1 and ferrules with insulating collar according to DIN 46228 Part 4, 0.14 mm² ... 6 mm², unlockable pressure lock, lateral entry

AI 0,5 - 8 WH-B - Ferrule

3201369

<https://www.phoenixcontact.com/in/products/3201369>



CRIMPFOX 2,5-M - Crimping pliers

1212719

<https://www.phoenixcontact.com/in/products/1212719>



Crimping pliers, for ferrules without insulating collar according to DIN 46228 Part 1 and ferrules with insulating collar according to DIN 46228 Part 4, 0.25 mm² ... 2.5 mm², lateral entry, trapezoidal crimp

CRIMPFOX 6-M - Crimping pliers

1212720

<https://www.phoenixcontact.com/in/products/1212720>



Crimping pliers, for ferrules without insulating collar according to DIN 46228 Part 1 and ferrules with insulating collar according to DIN 46228 Part 4, 0.25 mm² ... 6.0 mm², lateral entry, trapezoidal crimp

AI 0,5 - 8 WH-B - Ferrule

3201369

<https://www.phoenixcontact.com/in/products/3201369>



CRIMPFOX 6 - Crimping pliers

1212034

<https://www.phoenixcontact.com/in/products/1212034>



Crimping pliers, for ferrules without insulating collar according to DIN 46228 Part 1 and ferrules with insulating collar according to DIN 46228 Part 4, 0.25 mm² ... 6.0 mm², lateral entry, trapezoidal crimp

CRIMPFOX 6T - Crimping pliers

1212037

<https://www.phoenixcontact.com/in/products/1212037>



Crimping pliers, for ferrules without insulating collar according to DIN 46228 Part 1 and ferrules with insulating collar according to DIN 46228 Part 4, 0.25 mm² ... 6 mm², lateral entry, trapezoidal crimp

AI 0,5 - 8 WH-B - Ferrule

3201369

<https://www.phoenixcontact.com/in/products/3201369>

CRIMPFOX 6T-F - Crimping pliers

1212038

<https://www.phoenixcontact.com/in/products/1212038>



Crimping pliers, for ferrules without insulating collar according to DIN 46228 Part 1 and ferrules with insulating collar according to DIN 46228 Part 4, 0.25 mm² ... 6 mm², front entry, trapezoidal crimp

CRIMPFOX 6S-F - Crimping pliers

1212043

<https://www.phoenixcontact.com/in/products/1212043>



Crimping pliers, for ferrules without insulating collar according to DIN 46228 Part 1 and ferrules with insulating collar according to DIN 46228 Part 4, 0.5 mm² ... 6 mm², front entry, square crimp

AI 0,5 - 8 WH-B - Ferrule

3201369

<https://www.phoenixcontact.com/in/products/3201369>



CRIMPFOX 16 S - Crimping pliers

1207983

<https://www.phoenixcontact.com/in/products/1207983>



Crimping pliers for ferrules up to 16 mm²

Phoenix Contact 2023 © - all rights reserved

<https://www.phoenixcontact.com>

PHOENIX CONTACT (I) Pvt. Ltd.

A-58/2, Okhla Industrial Area, Phase - II, New Delhi-110 020

+91.1275.71420

info@phoenixcontact.co.in