

# HC-STA-B06-HLFS-1TTP13-EL-AL - Housing



1412576

<https://www.phoenixcontact.com/in/products/1412576>

Please be informed that the data shown in this PDF document is generated from our Online Catalog. Please find the complete data in the user documentation. Our General Terms of Use for Downloads are valid.



Sleeve housing B6, for single locking latch, material: Die-cast aluminum, salt water resistant, cable outlets: 1, straight, 1x Pg13,5, height: 52 mm, cable gland: none, Standard

## Your advantages

- Good shielding in the event of electromagnetic interference

## Commercial Data

Item number	1412576
Packing unit	1 pc
Minimum order quantity	1 pc
Sales Key	BF7
Product Key	BF7APB
Catalog Page	Page 600 (C-2-2019)
GTIN	4055626059167
Weight per Piece (including packing)	114.9 g
Weight per Piece (excluding packing)	114 g
Customs tariff number	85389099
Country of origin	PL

# HC-STA-B06-HLFS-1TTP13-EL-AL - Housing



1412576

<https://www.phoenixcontact.com/in/products/1412576>

## Technical Data

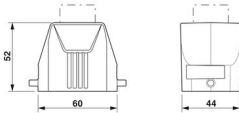
### Notes

General	For contact inserts HC-B6, BB10, DD24, M
---------	------------------------------------------

### Product properties

Type	B6
Product type	Housing with locking latch
Application	Standard
No. of cable outlets	1
Type of the screw connection	1x Pg13,5
Housing type	Sleeve housing
Locking type	for single locking latch
Cable outlet	straight
Pg screw connection	none

### Dimensions

Dimensional drawing	
Width	44 mm
Height	52 mm
Length	60 mm

### Material specifications

Color	gray aluminum
Housing surface material	uncoated
Impact strength	IK08
Housing material	Die-cast aluminum, salt water resistant

### Mechanical properties

#### Mechanical data

Type of the screw connection	1x Pg13,5
Locking type	Pin

### Environmental and real-life conditions

#### Ambient conditions

Degree of protection	IP66
	IP67
	4 (UL 50e)
	4X (UL 50e)

# HC-STA-B06-HLFS-1TTP13-EL-AL - Housing



1412576

<https://www.phoenixcontact.com/in/products/1412576>

	12 (UL 50e)
Impact strength	IK08
Ambient temperature (operation)	-40 °C ... 125 °C

# HC-STA-B06-HLFS-1TTP13-EL-AL - Housing

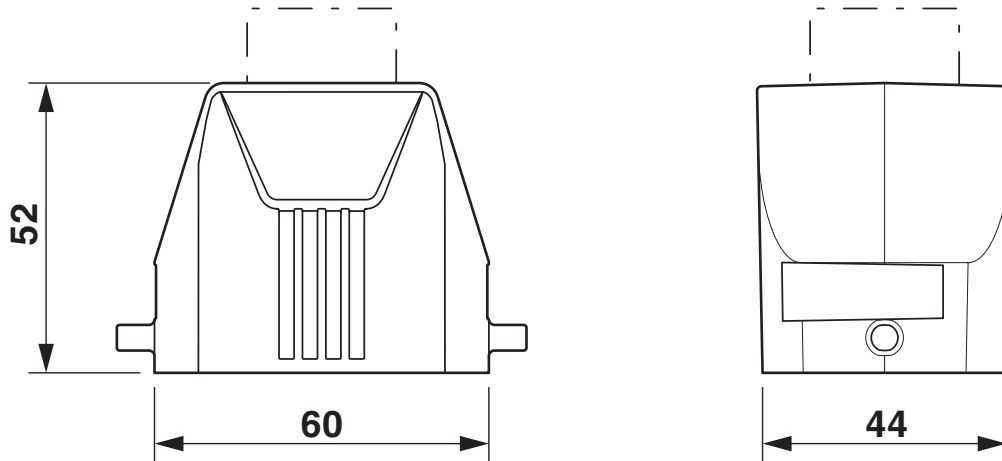


1412576

<https://www.phoenixcontact.com/in/products/1412576>

## Drawings

Dimensional drawing



Dimensional drawing

1412576

<https://www.phoenixcontact.com/in/products/1412576>

## Approvals



**cUL Recognized**  
Approval ID: E255026



**UL Recognized**  
Approval ID: E255026



**EAC**  
Approval ID: RU C-DE.AI30.B.01102



**EAC**  
Approval ID: RU C-DE.BL08.B.00511

1412576

<https://www.phoenixcontact.com/in/products/1412576>

## Classifications

### ECLASS

ECLASS-11.0	27440202
ECLASS-12.0	27440202
ECLASS-13.0	27440202

### ETIM

ETIM 8.0	EC000437
----------	----------

### UNSPSC

UNSPSC 21.0	31261500
-------------	----------

# HC-STA-B06-HLFS-1TTP13-EL-AL - Housing



1412576

<https://www.phoenixcontact.com/in/products/1412576>

## Environmental Product Compliance

China RoHS	Environmentally friendly use period: unlimited = EFUP-e
	No hazardous substances above threshold values

1412576

<https://www.phoenixcontact.com/in/products/1412576>

## Accessories

### G-INS-PG13,5-S68N-NNES-S - Cable gland

1411173

<https://www.phoenixcontact.com/in/products/1411173>



Cable gland, material for screw connection: Nickel-plated brass, external cable diameter 6 mm ... 12 mm, shielding: no, connecting thread: Pg13.5, color: silver, with O-ring

---

### G-INSEC-PG13,5-S68N-NNES-S - Cable gland

1411198

<https://www.phoenixcontact.com/in/products/1411198>



Cable gland, material for screw connection: Nickel-plated brass, external cable diameter 6 mm ... 12 mm, shielding: yes, connecting thread: Pg13.5, color: silver, with O-ring



# HC-STA-B06-HLFS-1TTP13-EL-AL - Housing

1412576

<https://www.phoenixcontact.com/in/products/1412576>



## US-EMLP (20X9) CUS - Plastic label

0830085

<https://www.phoenixcontact.com/in/products/0830085>

Plastic label, can be ordered: by card, white, labeled according to customer specifications, mounting type: adhesive, lettering field size: 20 x 9 mm, Number of individual labels: 75



---

## HC-B06-HCWS-PLR-BK - Protective cover

1346525

<https://www.phoenixcontact.com/in/products/1346525>

Protective cover B6, with single locking latch, protective cover material: PC, height: 26.3 mm, seal: yes



# HC-STA-B06-HLFS-1TTP13-EL-AL - Housing



1412576

<https://www.phoenixcontact.com/in/products/1412576>

## US-EMLP-HA (20X9) - Plastic label

0830989

<https://www.phoenixcontact.com/in/products/0830989>

Plastic label, Card, white, unlabeled, can be labeled with: BLUEMARK ID COLOR, BLUEMARK ID, THERMOMARK PRIME, THERMOMARK CARD 2.0, THERMOMARK CARD, mounting type: adhesive, lettering field size: 20 x 9 mm, Number of individual labels: 70



---

Phoenix Contact 2023 © - all rights reserved

<https://www.phoenixcontact.com>

PHOENIX CONTACT (I) Pvt. Ltd.

A-58/2, Okhla Industrial Area, Phase - II, New Delhi-110 020

+91.1275.71420

[info@phoenixcontact.co.in](mailto:info@phoenixcontact.co.in)