

G-INS-PG13,5-S68N-NNES-S - Cable gland



1411173

<https://www.phoenixcontact.com/in/products/1411173>

Please be informed that the data shown in this PDF document is generated from our Online Catalog. Please find the complete data in the user documentation. Our General Terms of Use for Downloads are valid.



Cable gland, material for screw connection: Nickel-plated brass, external cable diameter 6 mm ... 12 mm, shielding: no, connecting thread: Pg13.5, color: silver, with O-ring

Commercial Data

Item number	1411173
Packing unit	5 pc
Minimum order quantity	5 pc
Sales Key	BF7
Product Key	BF7DAX
Catalog Page	Page 689 (C-2-2019)
GTIN	4046356923071
Weight per Piece (including packing)	30.86 g
Weight per Piece (excluding packing)	30.86 g
Customs tariff number	74198090
Country of origin	TR

G-INS-PG13,5-S68N-NNES-S - Cable gland



1411173

<https://www.phoenixcontact.com/in/products/1411173>

Technical Data

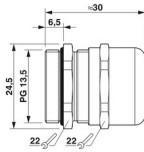
Mounting

Assembly instructions	1) Mount screw connection support in the housing using the correct torque 2) Insert cable 3) Tighten union nut using the correct torque
-----------------------	---

Product properties

Product type	Full screw connection
No. of conductors	1
Manufacturer	BIMED
Manufacturer Designation	BSBC-04
Shielded	no

Dimensions

Dimensional drawing	
Length	30 mm
Length of the connecting thread	6.5 mm
Hole diameter	20.5 mm ... 20.7 mm
Wrench size, union nut	22 mm
Wrench size, support	22 mm
Hexagon angular dimension	24.5 mm
Thread type connection side	Pg13.5

Material specifications

Color	silver
Material Compression ring	PA 6
Seal material O-ring	Perbunan
Seal material Cable seal	CR
Material for screw connection	Nickel-plated brass

Cable/line

External cable diameter	6 mm ... 12 mm 10 mm ... 12 mm (for UL 514 B)
Halogen-free	no

Environmental and real-life conditions

Ambient conditions	IP69 (DIN EN 60529 / IEC 60529)
--------------------	---------------------------------

G-INS-PG13,5-S68N-NNES-S - Cable gland



1411173

<https://www.phoenixcontact.com/in/products/1411173>

Degree of protection	IP68 (5 bar, 30 min.)
	4X
Ambient temperature (operation)	-40 °C ... 100 °C (static)

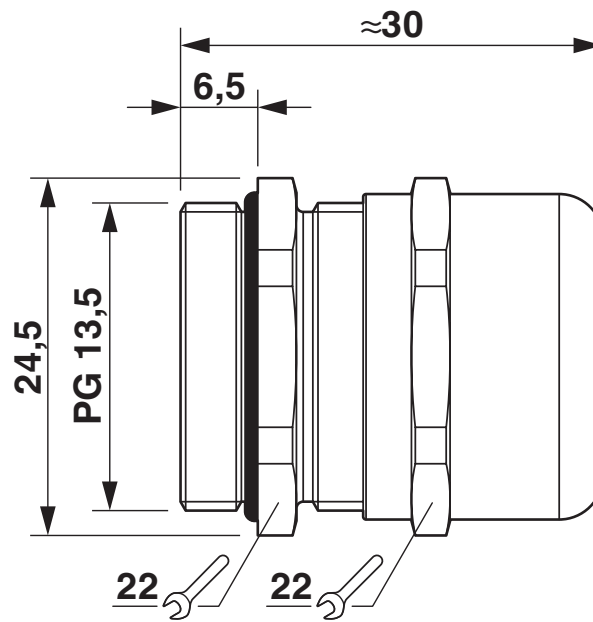
G-INS-PG13,5-S68N-NNES-S - Cable gland

1411173

<https://www.phoenixcontact.com/in/products/1411173>

Drawings

Dimensional drawing



Dimensional drawing

G-INS-PG13,5-S68N-NNES-S - Cable gland



1411173

<https://www.phoenixcontact.com/in/products/1411173>

Approvals



cUL Recognized

Approval ID: E199260



UL Recognized

Approval ID: E199260

G-INS-PG13,5-S68N-NNES-S - Cable gland



1411173

<https://www.phoenixcontact.com/in/products/1411173>

Classifications

ECLASS

ECLASS-11.0	27144432
ECLASS-12.0	27140801
ECLASS-13.0	27140801

ETIM

ETIM 8.0	EC000441
----------	----------

UNSPSC

UNSPSC 21.0	39121300
-------------	----------

G-INS-PG13,5-S68N-NNES-S - Cable gland



1411173

<https://www.phoenixcontact.com/in/products/1411173>

Environmental Product Compliance

REACH SVHC	Lead 7439-92-1
China RoHS	Environmentally Friendly Use Period = 50 years
	For information on hazardous substances, refer to the manufacturer's declaration available under "Downloads"

G-INS-PG13,5-S68N-NNES-S - Cable gland



1411173

<https://www.phoenixcontact.com/in/products/1411173>

Accessories

A-INL-PG13,5-N-S - Counter nut

1411259

<https://www.phoenixcontact.com/in/products/1411259>

Counter nut, for threads Pg13.5, color: silver



SEALING PLUG 9X16 RD - Closing cap

1400259

<https://www.phoenixcontact.com/in/products/1400259>

Closing cap, color: red



Phoenix Contact 2023 © - all rights reserved

<https://www.phoenixcontact.com>

PHOENIX CONTACT (I) Pvt. Ltd.

A-58/2, Okhla Industrial Area, Phase - II, New Delhi-110 020

+91.1275.71420

info@phoenixcontact.co.in