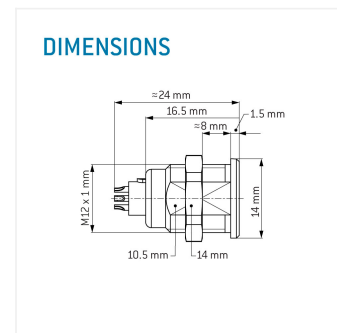
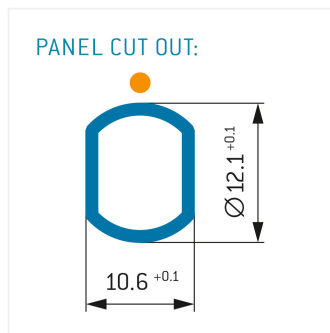
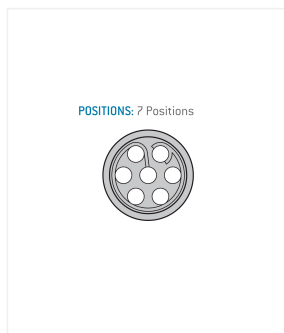
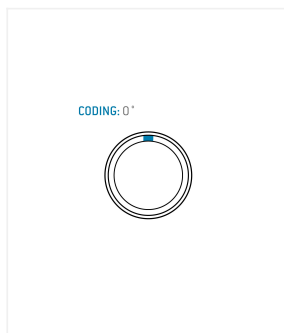


G11LOC-P07LFG0-0000  
**series\_I, type\_g1**



**General information**

Part number	G11LOC-P07LFG0-0000
Termination	solder
Size	1
Locking principle	break , push
Keying	0_key



**Contact insert description**

Number of contacts	7
Contact type	sockets
Contact diameter	07mm
Insulator material	peek
Wire cross section	22_awg
Termination	solder
Termination diameter	085mm

reverse\_gender\_on\_request

**Technical information**

Max. creepage and air clearance distance	07_mm	10_mm
Nominal current single contact	075_a	iec_60512_5_2
Nominal current insert	4,875 A	vde_0298_4
Test voltage	1_kv_ac	sae_13441

safety\_text

**Mechanical and environmental data**

Degree of protection*	ip50
Operating temperature	40_120_c
Mating cycles	5000

mated\_unmated

**Material and surface treatments**

Housing	m_chrome
Contact	cu_alloy_gold

safety\_text\_2  
 ul\_text  
 illustrative\_text