

# Product datasheet

Specifications



## Tower Light - RAG - 24V - LED - Tube mounting with "L" bracket

XVGB3

### Main

Range of product	Harmony XVG
Product or component type	Complete pre-wired monolithic tower light
Beacon or indicator bank unit type	3 illuminated units
Material	PC (UL94 V-2): globe ABS (UL94HB): tube body Aluminium: tube
Mounting diameter	60 mm
Component name	XVG
Device mounting	Tube with L bracket
Light source	LED steady red LED steady green LED steady amber
Light block color	Red/orange/green
Indicator bank base type	Base without buzzer

### Complementary

Rated supply voltage	24 V AC/DC
Cable cross section	0.33 mm <sup>2</sup>
Discrete output type	PNP and NPN
[Uimp] rated impulse withstand voltage	0.5 kV
Current consumption	109 mA
Power consumption in W	3.1 W
Fundamental frequency	2.64 kHz
Net weight	0.46 kg

### Environment

Product certifications	CE EAC
Ambient air temperature for storage	-35...70 °C
Ambient air temperature for operation	-10...50 °C

---

IP degree of protection	IP23
-------------------------	------

## Packing Units

---

Unit Type of Package 1	PCE
------------------------	-----

---

Number of Units in Package 1	1
------------------------------	---

---

Package 1 Height	9.3 cm
------------------	--------

---

Package 1 Width	14.2 cm
-----------------	---------

---

Package 1 Length	55.0 cm
------------------	---------

---

Package 1 Weight	640.0 g
------------------	---------

---

Unit Type of Package 2	S04
------------------------	-----

---

Number of Units in Package 2	8
------------------------------	---

---

Package 2 Height	30 cm
------------------	-------

---

Package 2 Width	40 cm
-----------------	-------

---

Package 2 Length	60 cm
------------------	-------

---

Package 2 Weight	5.15 kg
------------------	---------

## Offer Sustainability

---

Sustainable offer status	Green Premium product
--------------------------	-----------------------

---

REACH Regulation	<a href="#">REACH Declaration</a>
------------------	-----------------------------------

---

REACH free of SVHC	Yes
--------------------	-----

---

EU RoHS Directive	Pro-active compliance (Product out of EU RoHS legal scope) <a href="#">EU RoHS Declaration</a>
-------------------	---

---

Mercury free	Yes
--------------	-----

---

China RoHS Regulation	<a href="#">China RoHS declaration</a>
-----------------------	--

---

RoHS exemption information	<a href="#">Yes</a>
----------------------------	---------------------

---

Environmental Disclosure	<a href="#">Product Environmental Profile</a>
--------------------------	---

---

Circularity Profile	<a href="#">End of Life Information</a>
---------------------	---

## Contractual warranty

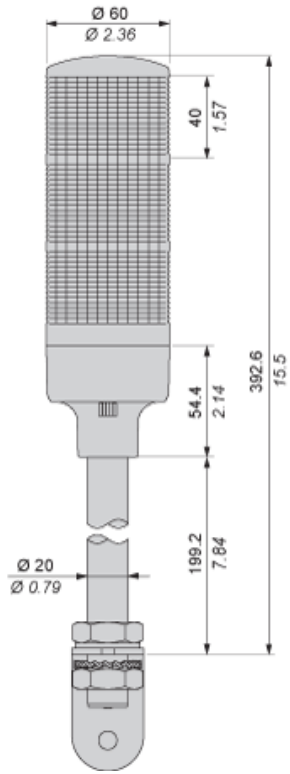
---

Warranty	18 months
----------	-----------

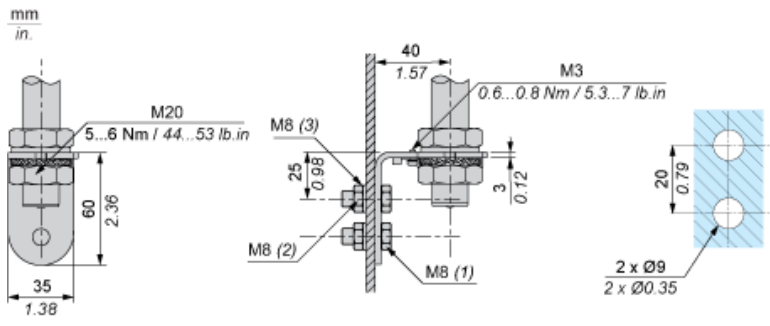
## Dimensions

---

mm  
in.

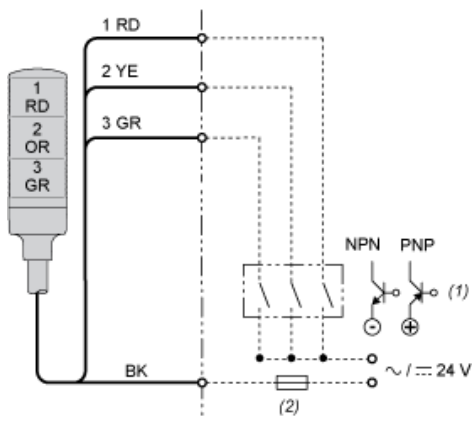


Mounting



- (1) Thickness +10 mm/0.39 in
- (2) Hexagon Nut
- (3) Washer

Wiring



- (1) "ON" for lighting and/or applying continuous sound.
- (2) Fuse (rated current: 0.5 A)
- RD : Red
- YE : Yellow
- GR : Green
- OR : Orange
- BK : Black

Recommended replacement(s)