

Product data sheet

Specifications



Protection cover, Harmony XB5,
rigid plastic, transparent, for RJ45
and USB ports

ZBSP2

Main

Range of product	Harmony XB5
Sale per indivisible quantity	1

Complementary

Panel Thickness with accessory	1.5...5 mm
Product or component type	Rigid protection cover
Material	Plastic
Accessory / separate part category	Protection accessories
Product compatibility	Panel mounted RJ45 port XB5P Panel mounted USB port XB5P
IP degree of protection	IP65 conforming to IEC 60529 IP67 conforming to IEC 60529
Colour	Transparent

Packing Units

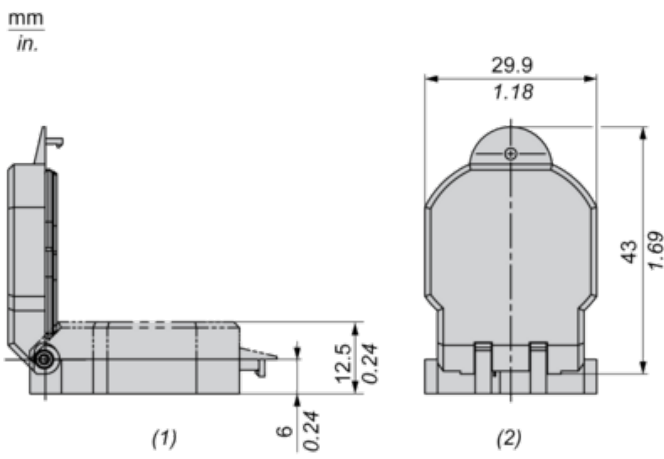
Unit Type of Package 1	PCE
Number of Units in Package 1	1
Package 1 Height	1.5 cm
Package 1 Width	6 cm
Package 1 Length	8 cm
Package 1 Weight	8 g
Unit Type of Package 2	BB1
Number of Units in Package 2	75
Package 2 Height	9.5 cm
Package 2 Width	19 cm
Package 2 Length	28 cm
Package 2 Weight	632 g
Unit Type of Package 3	S02
Number of Units in Package 3	150
Package 3 Height	15 cm

Package 3 Width	30 cm
Package 3 Length	40 cm
Package 3 Weight	1.606 kg

Offer Sustainability

EU RoHS Directive	Pro-active compliance (Product out of EU RoHS legal scope) EU RoHS Declaration
Mercury free	Yes
China RoHS Regulation	China RoHS declaration Product out of China RoHS scope. Substance declaration for your information
RoHS exemption information	Yes
California proposition 65	WARNING: This product can expose you to chemicals including: Lead and lead compounds, which is known to the State of California to cause cancer and birth defects or other reproductive harm. For more information go to www.P65Warnings.ca.gov

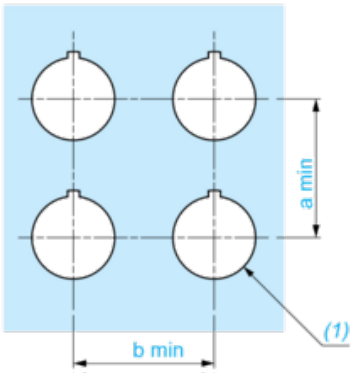
Dimensions



(1) Side View - Open
(2) Back View - Open

Panel Cut-out for Protective Cover (Finished Holes, Ready for Installation)

Connection by Screw Clamp Terminals or Plug-in Connectors

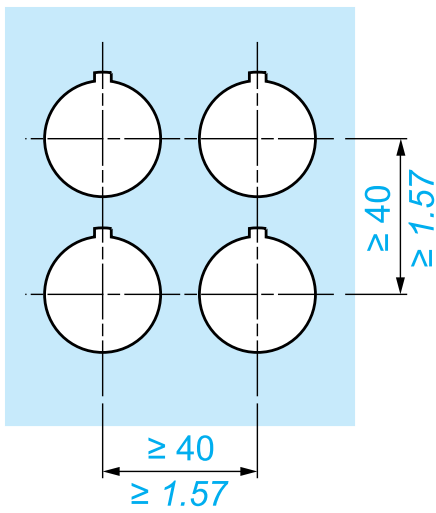
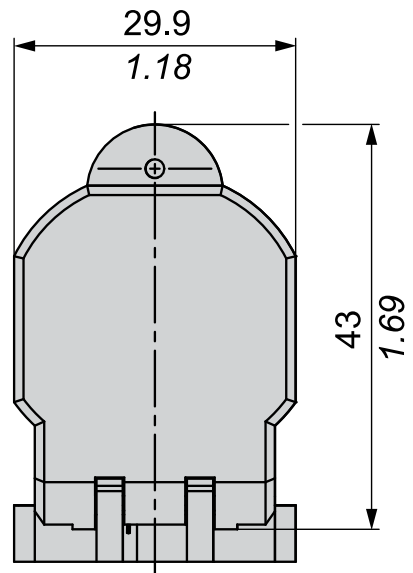
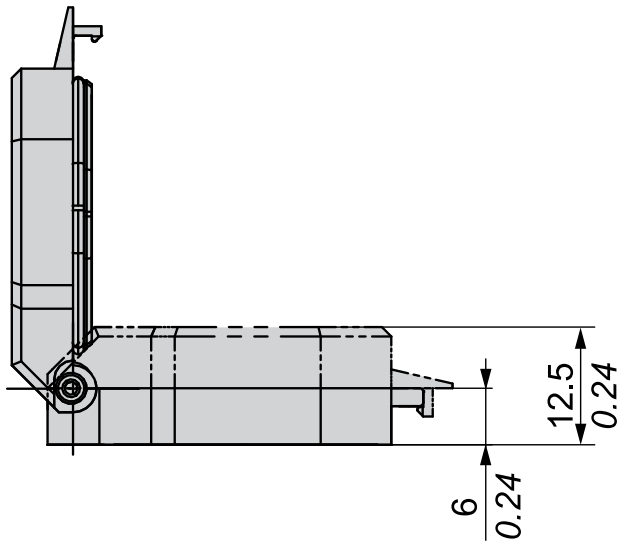


(1) Diameter on finished panel or support

Connections	a in mm	a in in.	b in mm	b in in.
By screw clamp terminals or plug-in connector	40	1.57	40	1.57

Dimensions

mm
in.



Recommended replacement(s)