

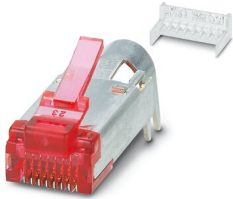
VS-08-ST-H21-RJ45 - RJ45 male insert



1652729

<https://www.phoenixcontact.com/in/products/1652729>

Please be informed that the data shown in this PDF document is generated from our Online Catalog. Please find the complete data in the user documentation. Our General Terms of Use for Downloads are valid.



RJ45 male insert, CAT6, 8-pos., shielded, IDC displacement connection, for litz wire AWG 25 ...
24 and solid wires AWG 24, with strain relief

Your advantages

- Reliable 360° shield contact due to the proven crimp connection
- Easy installation with a crimping tool
- Pin insert for V.06 sleeve housing VS-08-T-H-RJ45/IP67

Commercial Data

Item number	1652729
Packing unit	5 pc
Minimum order quantity	5 pc
Sales Key	ABN
Product Key	ABNAAG
Catalog Page	Page 350 (C-2-2019)
GTIN	4017918952853
Weight per Piece (including packing)	5.44 g
Weight per Piece (excluding packing)	4.078 g
Customs tariff number	85366990
Country of origin	TW

VS-08-ST-H21-RJ45 - RJ45 male insert

1652729

<https://www.phoenixcontact.com/in/products/1652729>

Technical Data

Product properties

Type	RJ45
Product type	Male insert
Number of positions	8
Connection profile	RJ45
No. of cable outlets	1
Type	RJ45
Shielded	yes
Cable outlet	straight

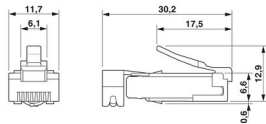
Insulation characteristics

Overvoltage category	I
Degree of pollution	2

Electrical properties

Rated voltage (III/3)	72 V (DC)
Rated surge voltage	330 kV
Rated current	1 A
Contact resistance	< 100 m Ω (max.)
Frequency range	to 250 MHz
Insulation resistance	> 500 M Ω (100 V DC)
Nominal voltage U_N	48 V
Nominal current I_N	1.75 A
Contact resistance per contact pair	< 20 Ω
Contact resistance	> 10 m Ω
Transmission medium	Copper

Dimensions

Dimensional drawing	
Width	11.7 mm
Height	13.5 mm
Length	30.2 mm

Material specifications

Color	red
Flammability rating according to UL 94	V2
Contact material	Phosphor bronze
Contact surface material	Gold

VS-08-ST-H21-RJ45 - RJ45 male insert



1652729

<https://www.phoenixcontact.com/in/products/1652729>

Contact carrier material	PC
Housing material	Steel, tin-plated

Cable/line

Wire diameter including insulation	0.9 mm ... 1 mm
Test voltage Core/Core	1000 V
Test voltage Core/Shield	1500 V

Mechanical properties

Mechanical data

Insertion/withdrawal cycles	≥ 750
Insertion force per signal contact	< 20.00 N
Extraction force per signal contact	< 20 N

Environmental and real-life conditions

Ambient conditions

Degree of protection	IP20
Ambient temperature (operation)	-25 °C ... 60 °C

Mounting

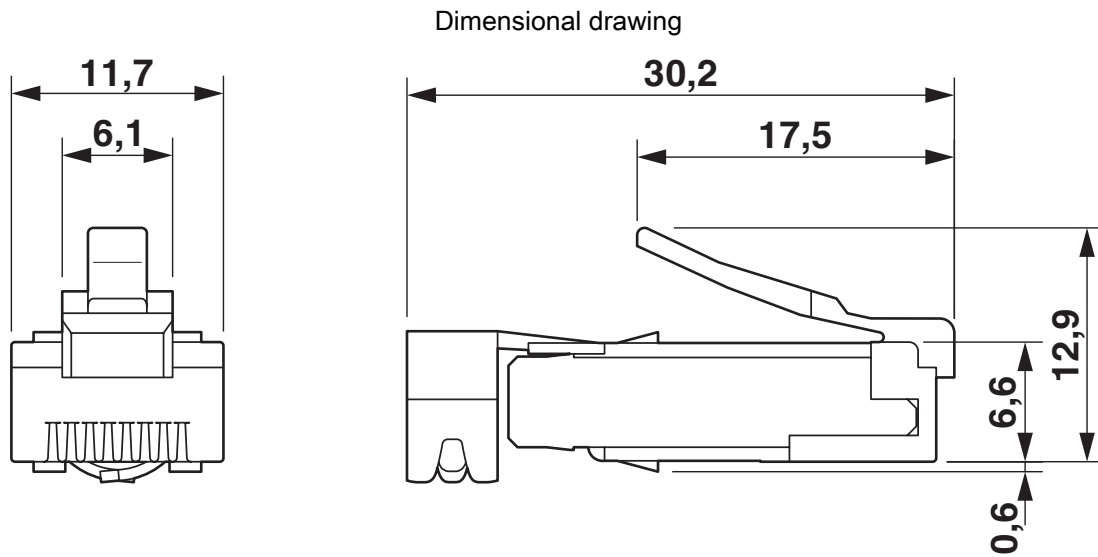
Mounting type	Crimp connection
---------------	------------------

VS-08-ST-H21-RJ45 - RJ45 male insert

1652729

<https://www.phoenixcontact.com/in/products/1652729>

Drawings



RJ45 male insert

VS-08-ST-H21-RJ45 - RJ45 male insert



1652729

<https://www.phoenixcontact.com/in/products/1652729>

Approvals



EAC

Approval ID: B.01687

VS-08-ST-H21-RJ45 - RJ45 male insert



1652729

<https://www.phoenixcontact.com/in/products/1652729>

Classifications

ECLASS

ECLASS-11.0	27440223
ECLASS-12.0	27440223
ECLASS-13.0	27440223

ETIM

ETIM 8.0	EC003557
----------	----------

UNSPSC

UNSPSC 21.0	39121400
-------------	----------

VS-08-ST-H21-RJ45 - RJ45 male insert



1652729

<https://www.phoenixcontact.com/in/products/1652729>

Environmental Product Compliance

China RoHS	Environmentally friendly use period: unlimited = EFUP-e
	No hazardous substances above threshold values

VS-08-ST-H21-RJ45 - RJ45 male insert

1652729

<https://www.phoenixcontact.com/in/products/1652729>



Accessories

VS-08-T-H-RJ45/IP67 - RJ45 sleeve housings

1652732

<https://www.phoenixcontact.com/in/products/1652732>



RJ45 sleeve housings, design: RJ45, degree of protection: IP67, number of positions: 8, material: PA, cable outlet: straight, color: traffic grey A RAL 7042, Ethernet

VS-08-T-H-RJ45/IP67-BK - RJ45 sleeve housings

1658671

<https://www.phoenixcontact.com/in/products/1658671>



RJ45 sleeve housings, design: RJ45, degree of protection: IP67, number of positions: 8, material: PA, cable outlet: straight, color: jet black RAL 9005, Ethernet

VS-08-ST-H21-RJ45 - RJ45 male insert

1652729

<https://www.phoenixcontact.com/in/products/1652729>



VS-08-KS-H/GY - RJ45 bending protection sleeve

1654743

<https://www.phoenixcontact.com/in/products/1654743>

RJ45 bend protection sleeve, for pin inserts VS-08-ST-H11-RJ45 and VS-08-ST-H21-RJ45, for cable cross section up to 7 mm, color: gray



VS-08-KS-H/GN - RJ45 bending protection sleeve

1654756

<https://www.phoenixcontact.com/in/products/1654756>

RJ45 bend protection sleeve, for pin inserts VS-08-ST-H11-RJ45 and VS-08-ST-H21-RJ45, for cable cross section up to 7 mm, color: green



VS-08-ST-H21-RJ45 - RJ45 male insert

1652729

<https://www.phoenixcontact.com/in/products/1652729>



VS-CT-RJ45-H - Crimping pliers

1653265

<https://www.phoenixcontact.com/in/products/1653265>



Crimp tool, pliers with die, for RJ45 pin inserts VS-08-ST-H...-RJ45 and VS-08-RJ45-10G/C

Phoenix Contact 2023 © - all rights reserved

<https://www.phoenixcontact.com>

PHOENIX CONTACT (I) Pvt. Ltd.

A-58/2, Okhla Industrial Area, Phase - II, New Delhi-110 020

+91.1275.71420

info@phoenixcontact.co.in