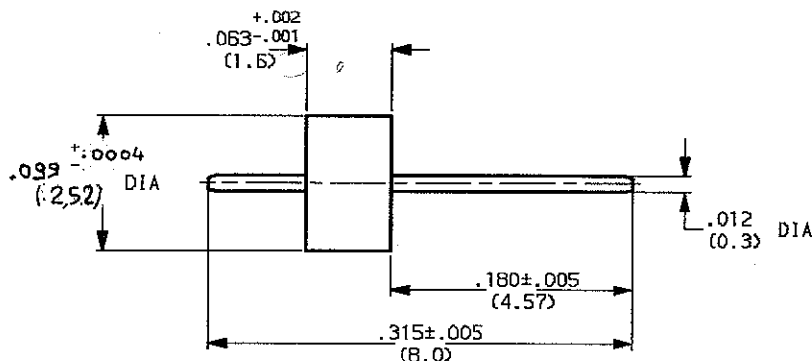


GLASS SEAL PIN .012(0.30) DIA

SERIES: ACC

1 / 3



MOUNTING HOLE

See page 2 and 3.

WEIGHT 0.007 oz (0.2g)

CABLES : -

CHARACTERISTICS

NOMINAL IMPEDANCE	50 Ω
FREQUENCY RANGE	0-18 GHz
TEMPERATURE RATING	-65/+200 °C
VSWR	1.02 + 0.003 * F (GHz) Max (Applicable for mounting B (see page 3))
RF INSERTION LOSS	NA /F dB Maxi
VOLTAGE RATING	335 Vrms Maxi
DIELECTRIC WITHSTANDING VOLTAGE	1000 Vrms mini
INSULATION RESISTANCE	NA Mo mini
HERMETIC SEAL	10-8 cc/s Atm.cm3/s
LEAKAGE (pressurized only)	NA psi MPa

STANDARDISATION

CABLE RETENTION	NA lb mini N
CENTER CONTACT RETENTION	
Axial force - mating end	4.5 lb mini 20 N
Axial force - opposite end	4.5 lb mini 20 N
Torque (Min)	NA Inch.oz cm.N
RECOMMENDED TORQUES	
Mating	NA Inch.Lb cm.N
Panel nut	NA Inch.Lb cm.N
Clamp nut	NA Inch.Lb cm.N

CONSTRUCTION

CONNECTOR PARTS	MATERIALS	FINISH
BODY	-	-
OUTER CONTACT	FERRO-NICKEL	GOLD OVER NICKEL
CENTER CONTACT	FERRO-NICKEL	GOLD OVER NICKEL
INSULATORS	MATCHED GLASS	-
-	-	-
-	-	-
-	-	-
-	-	-

ISSUE	REVISION No	DESCRIPTION	BY	DATE
9731	97.05.013	Ø 2.51 → Ø 2.52 (VICARD)	TRIPIER	28.07.97

Initiated on 06.NOV.97
Superseded on _____

The information given here is subject to change without notice. Design changes may be in order to improve the product.

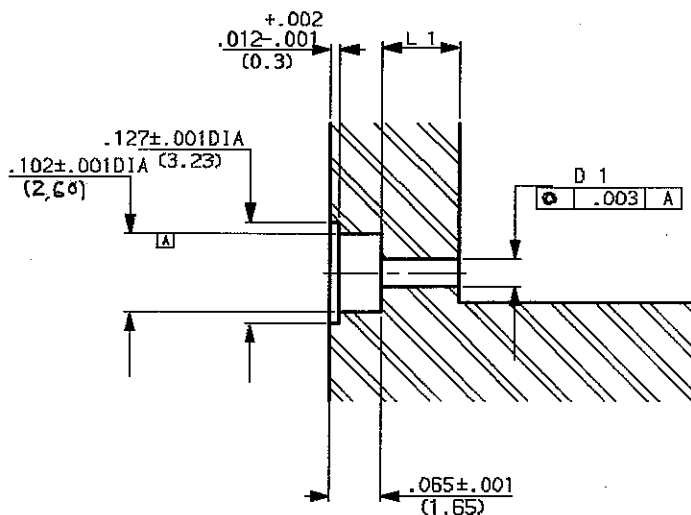


SOLDER GLASS SEAL PIN .012 (0.30) DIA

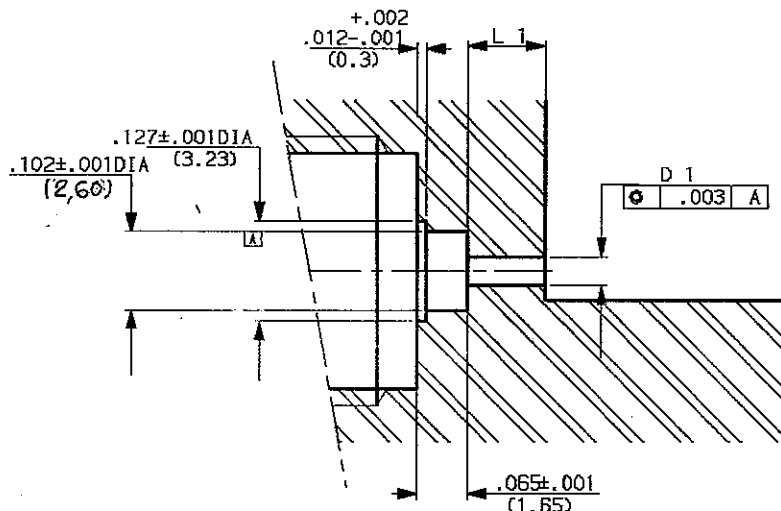
SERIES: ACC

RECOMMENDED MOUNTING HOLE DETAIL

FLANGE RECEPTACLE



RECEPTACLE SCREW



D1 and L1 dimensions have to be determined according to each application.

We advise of two following case: (see page 3)

- using of the R280 469 removable socket :

$D1 = .079 + \text{or} - .0008$

$L1 = .1 + \text{or} - .004$

- the bead pin is directly welded on the track :

$D1 = .0276 + \text{or} - .0008$

L1 = from .040 to .157 according to customer's design criteria.

ISSUE	REVISION No	DESCRIPTION	BY	DATE
9731	97.05.013	Dia 2,59 → DIA 2,60	TRIPIER	28.07.97

Initiated on 06-Nov-97

Superseded on _____

The information given here is subject to change without notice. Design changes may be in order to improve the product.



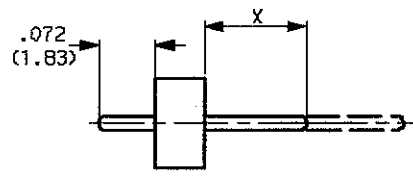
SOLDER GLASS SEAL PIN .012 (0.3) DIA

SERIES:

ACC

03/03

ASSEMBLY INSTRUCTIONS

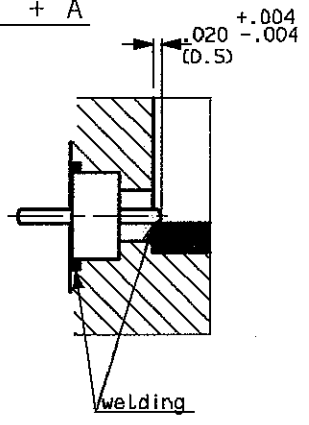
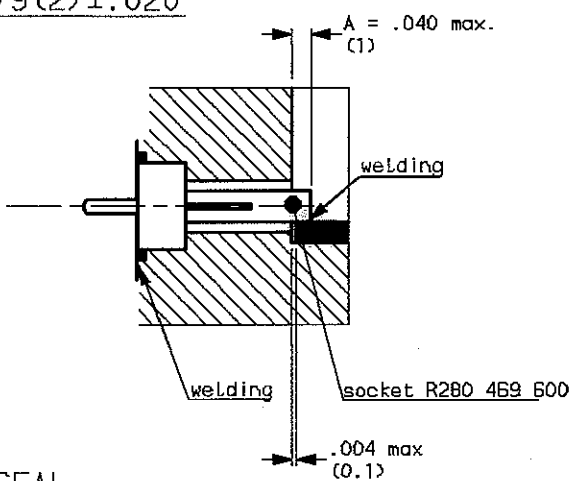


MOUNTING A: WITH REMOVABLE CONTACT

$X = .079(2) \pm .020$

MOUNTING B: WITH SEAL ONLY

$X = L1 + A$



GLASS SEAL

- 1 - Adjust X by cutting the pin if necessary.
- 2 - Introduce the glass bead into its housing as here above (with the mounted socket)
- 3 - Weld the ring by putting a welding wire in the groove.
- 4 - Weld the pin (or socket) on the track. Beware of putting too much welding!

IMPORTANT: for maximum RF characteristics the Link track/pin must be as thin as possible. We advise you to respect rigorously the A dimension, by welding accurately the bead pin directly on the track (right drawing).

CONNECTOR

- FLANGE RECEPTACLE: Set up the EMI gasket in the connector groove. Put the connector on the housing while introducing the bead pin into socket, then mount the fixtures of the flange.
- SCREW RECEPTACLE: Screw the connector into the housing. (Tooling and torque, see the following board)

	TOOLING	TORQUE
<input type="checkbox"/> SMA	Jack receptacle R282.341.010 Plug receptacle R282.342	17 inch-pounds
<input type="checkbox"/> BMA	Jack receptacle R282.322 Plug receptacle R282.340	25 inch-pounds

ISSUE	REVISION No	DESCRIPTION	BY	DATE
.
.
.

Initiated on 06. NOV. 91
Superseded on -----

The information given here is subject to change without notice. Design changes may be in order to improve the product.

