

# FFKDSA/H1-7,62 - PCB terminal block



1790351

<https://www.phoenixcontact.com/in/products/1790351>

Please be informed that the data shown in this PDF document is generated from our Online Catalog. Please find the complete data in the user documentation. Our General Terms of Use for Downloads are valid.



PCB terminal block, nominal current: 17.5 A, rated voltage (III/2): 630 V, nominal cross section: 1.5 mm<sup>2</sup>, number of potentials: 1, number of rows: 1, number of positions per row: 1, product range: FFKDS(A)/H1, pitch: 7.62 mm, connection method: Push-in spring connection, mounting: Wave soldering, conductor/PCB connection direction: 0 °, color: green, Pin layout: Linear pinning, Solder pin [P]: 3.4 mm, number of solder pins per potential: 2, type of packaging: packed in cardboard. Single module for the custom grouping of different numbers of positions. An end terminal block is also needed to terminate the block (see accessories). Blocked items with different numbers of positions are also available.

## Your advantages

- Time saving push-in connection, tools not required
- Defined contact force ensures that contact remains stable over the long term
- Intuitive use through colour coded actuation lever
- Operation and conductor connection from one direction enable integration into front of device
- Two solder pins reduce the mechanical strain on the soldering spots
- The latching on the side enables various numbers of positions to be combined

## Commercial Data

|                                      |                     |
|--------------------------------------|---------------------|
| Item number                          | 1790351             |
| Packing unit                         | 250 pc              |
| Minimum order quantity               | 250 pc              |
| Sales Key                            | AAL                 |
| Product Key                          | AALBAH              |
| Catalog Page                         | Page 149 (C-1-2013) |
| GTIN                                 | 4017918044268       |
| Weight per Piece (including packing) | 1.24 g              |
| Weight per Piece (excluding packing) | 1.19 g              |
| Customs tariff number                | 85369010            |
| Country of origin                    | DE                  |

1790351

<https://www.phoenixcontact.com/in/products/1790351>

## Technical Data

### Product properties

|                           |                                  |
|---------------------------|----------------------------------|
| Type                      | PC terminal block can be aligned |
| Product line              | COMBICON Terminals S             |
| Product type              | Printed circuit board terminal   |
| Product family            | FFKDS(A)/H1                      |
| Number of positions       | 1                                |
| Pitch                     | 7.62 mm                          |
| Number of connections     | 1                                |
| Number of rows            | 1                                |
| Number of potentials      | 1                                |
| Pin layout                | Linear pinning                   |
| Solder pins per potential | 2                                |

### Electrical properties

|                             |        |
|-----------------------------|--------|
| Nominal current $I_N$       | 17.5 A |
| Nominal voltage $U_N$       | 630 V  |
| Degree of pollution         | 3      |
| Rated voltage (III/3)       | 400 V  |
| Rated surge voltage (III/3) | 6 kV   |
| Rated voltage (III/2)       | 630 V  |
| Rated surge voltage (III/2) | 6 kV   |
| Rated voltage (II/2)        | 1000 V |
| Rated surge voltage (II/2)  | 6 kV   |

### Connection data

#### Connection technology

|                       |                                  |
|-----------------------|----------------------------------|
| Type                  | PC terminal block can be aligned |
| Nominal cross section | 1.5 mm <sup>2</sup>              |

#### Conductor connection

|   |   |
|---|---|
| Connection method   | Push-in spring connection                     |
| Conductor cross section rigid   | 0.2 mm <sup>2</sup> ... 1.5 mm <sup>2</sup>   |
| Conductor cross section flexible                                      | 0.2 mm <sup>2</sup> ... 1.5 mm <sup>2</sup>   |
| Conductor cross section AWG   | 24 ... 16                                     |
| Conductor cross section flexible, with ferrule without plastic sleeve | 0.25 mm <sup>2</sup> ... 0.75 mm <sup>2</sup> |
| Conductor cross section, flexible, with ferrule, with plastic sleeve  | 0.25 mm <sup>2</sup> ... 0.75 mm <sup>2</sup> |
| Stripping length  | 10 mm   |

### Mounting

|               |                |
|---------------|----------------|
| Mounting type | Wave soldering |
| Pin layout    | Linear pinning |

# FFKDSA/H1-7,62 - PCB terminal block

1790351

<https://www.phoenixcontact.com/in/products/1790351>

## Material specifications

### Material data - contact

|   |  |
|---|--|
| Note  | WEEE/RoHS-compliant, free of whiskers according to IEC 60068-2-82/JEDEC JESD 201 |
| Contact material                            | Cu alloy   |
| Surface characteristics                     | Tin-plated   |
| Metal surface terminal point (top layer)    | Tin (5 - 7 $\mu\text{m}$ Sn)   |
| Metal surface terminal point (middle layer) | Nickel (2 - 3 $\mu\text{m}$ Ni)  |
| Metal surface soldering area (top layer)    | Tin (5 - 7 $\mu\text{m}$ Sn)   |
| Metal surface soldering area (middle layer) | Nickel (2 - 3 $\mu\text{m}$ Ni)  |

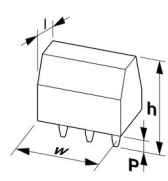
### Material data - housing

|   |              |
|---|--------------|
| Color (Housing)   | green (6021) |
| Insulating material   | PA           |
| Insulating material group   | I            |
| CTI according to IEC 60112  | 600          |
| Flammability rating according to UL 94                            | V0           |
| Glow wire flammability index GWFI according to EN 60695-2-12      | 850          |
| Glow wire ignition temperature GWIT according to EN 60695-2-13    | 775          |
| Temperature for the ball pressure test according to EN 60695-10-2 | 125 °C       |

### Material data - actuating element

|   |               |
|---|---------------|
| Color (Actuating element)   | orange (2003) |
| Insulating material   | PA            |
| Insulating material group   | I             |
| CTI according to IEC 60112  | 600           |
| Flammability rating according to UL 94                            | V0            |
| Glow wire flammability index GWFI according to EN 60695-2-12      | 850           |
| Glow wire ignition temperature GWIT according to EN 60695-2-13    | 775           |
| Temperature for the ball pressure test according to EN 60695-10-2 | 125 °C        |

## Dimensions

|                     |  |
|---------------------|--|
| Dimensional drawing |  |
| Pitch               | 7.62 mm  |
| Width [w]           | 7.62 mm  |
| Height [h]          | 16.2 mm  |

# FFKDSA/H1-7,62 - PCB terminal block



1790351

<https://www.phoenixcontact.com/in/products/1790351>

|                       |         |
|-----------------------|---------|
| Length [L]            | 13.6 mm |
| Installed height      | 12.7 mm |
| Solder pin length [P] | 3.4 mm  |

## Electrical tests

### Air clearances and creepage distances |

|  |   |
|--|---|
| Specification  | IEC 60947-1:2007-06 + A1:2010-12 + A2:2014-09 |
| Insulating material group                              | I   |
| Comparative tracking index (IEC 60112)                 | CTI 600                                       |
| Rated insulation voltage (III/3)                       | 400 V   |
| Rated surge voltage (III/3)                            | 6 kV  |
| minimum clearance value - non-homogenous field (III/3) | 5.5 mm  |
| minimum creepage distance (III/3)                      | 5.5 mm  |
| Rated insulation voltage (III/2)                       | 630 V   |
| Rated surge voltage (III/2)                            | 6 kV  |
| minimum clearance value - non-homogenous field (III/2) | 5.5 mm  |
| minimum creepage distance (III/2)                      | 5.5 mm  |
| Rated insulation voltage (II/2)                        | 1000 V  |
| Rated surge voltage (II/2)                             | 6 kV  |
| minimum clearance value - non-homogenous field (II/2)  | 5.5 mm  |
| minimum creepage distance (II/2)                       | 5.5 mm  |

## Environmental and real-life conditions

### Ambient conditions

|   |   |
|---|---|
| Ambient temperature (operation)         | -40 °C ... 100 °C (Depending on the current carrying capacity/derating curve) |
| Ambient temperature (storage/transport) | -40 °C ... 70 °C  |
| Relative humidity (storage/transport)   | 30 % ... 70 %   |
| Ambient temperature (assembly)          | -5 °C ... 100 °C  |

## Packaging specifications

|                   |                     |
|-------------------|---------------------|
| Type of packaging | packed in cardboard |
|-------------------|---------------------|

# FFKDSA/H1-7,62 - PCB terminal block

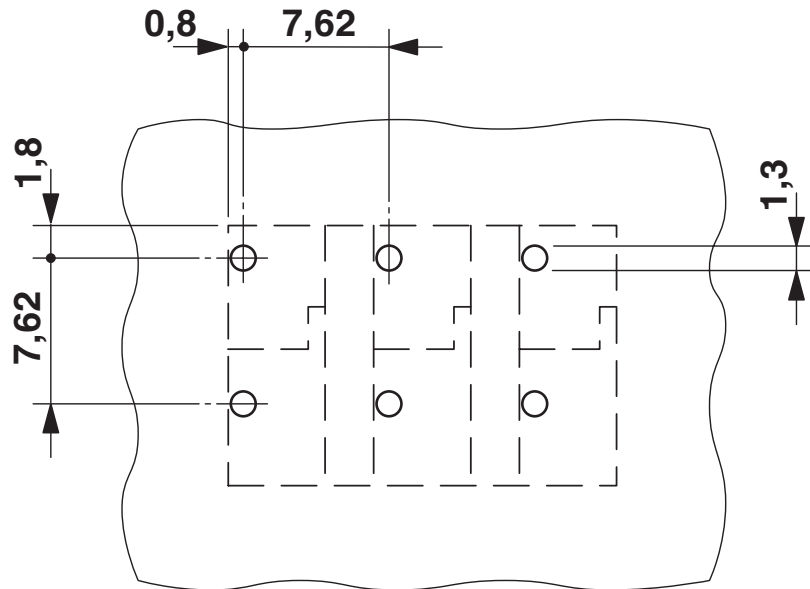


1790351

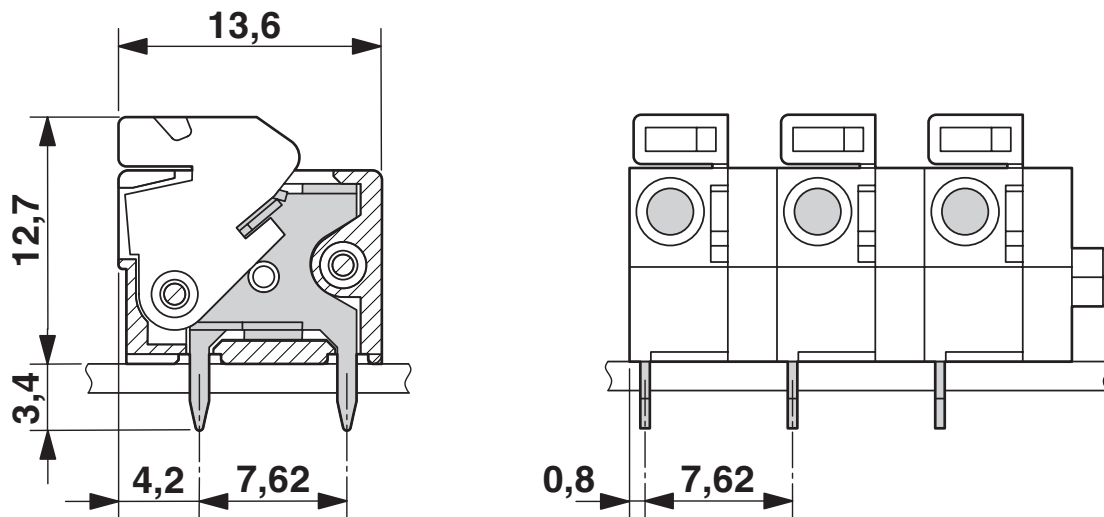
<https://www.phoenixcontact.com/in/products/1790351>

## Drawings

Drilling plan/solder pad geometry



Dimensional drawing




# FFKDSA/H1-7,62 - PCB terminal block




1790351


<https://www.phoenixcontact.com/in/products/1790351>


## Approvals

|  <b>CSA</b><br>Approval ID: 13631 |                       |                       |                   |                             |
|--|-----------------------|-----------------------|-------------------|-----------------------------|
|  | Nominal Voltage $U_N$ | Nominal Current $I_N$ | Cross Section AWG | Cross Section $\text{mm}^2$ |
|  | 300 V                 | 10 A                  | - 16              | -                           |
|  | 300 V                 | 10 A                  | - 16              | -                           |

|  <b>IECEE CB Scheme</b><br>Approval ID: NL-25836 |                       |                       |                   |                             |
|---|-----------------------|-----------------------|-------------------|-----------------------------|
|   | Nominal Voltage $U_N$ | Nominal Current $I_N$ | Cross Section AWG | Cross Section $\text{mm}^2$ |
|   | 400 V                 | -                     | -                 | - 1.5                       |

|  <b>EAC</b><br>Approval ID: B.01687 |  |  |  |  |
|--|--|--|--|--|
|--|--|--|--|--|

|  <b>cULus Recognized</b><br>Approval ID: E60425-19870330 |                       |                       |                   |                             |
|---|-----------------------|-----------------------|-------------------|-----------------------------|
|   | Nominal Voltage $U_N$ | Nominal Current $I_N$ | Cross Section AWG | Cross Section $\text{mm}^2$ |
|   | 300 V                 | 10 A                  | 22 - 16           | -                           |
|   | 300 V                 | 10 A                  | 22 - 16           | -                           |

|  <b>KEMA-KEUR</b><br>Approval ID: 2160724.01 |                       |                       |                   |                             |
|---|-----------------------|-----------------------|-------------------|-----------------------------|
|   | Nominal Voltage $U_N$ | Nominal Current $I_N$ | Cross Section AWG | Cross Section $\text{mm}^2$ |
|   | 400 V                 | -                     | -                 | - 1.5                       |

# FFKDSA/H1-7,62 - PCB terminal block



1790351

<https://www.phoenixcontact.com/in/products/1790351>

## Classifications

### ECLASS

|             |          |
|-------------|----------|
| ECLASS-11.0 | 27460101 |
| ECLASS-12.0 | 27460101 |
| ECLASS-13.0 | 27460101 |

### ETIM

|          |          |
|----------|----------|
| ETIM 8.0 | EC002643 |
|----------|----------|

### UNSPSC

|             |          |
|-------------|----------|
| UNSPSC 21.0 | 39121400 |
|-------------|----------|

# FFKDSA/H1-7,62 - PCB terminal block



1790351

<https://www.phoenixcontact.com/in/products/1790351>

## Environmental Product Compliance

|            |   |
|------------|---|
| China RoHS | Environmentally friendly use period: unlimited = EFUP-e |
|            | No hazardous substances above threshold values          |



# FFKDSA/H1-7,62 - PCB terminal block



1790351

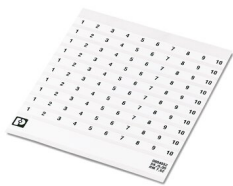
<https://www.phoenixcontact.com/in/products/1790351>

## Accessories

### SK 7,62/5:FORTL.ZAHLEN - Marker card

0804552

<https://www.phoenixcontact.com/in/products/0804552>



Marker card, white, labeled, horizontal: consecutive numbers 1 ... 10, 11 ... 20, etc. up to 91 ... 100, mounting type: adhesive, for terminal block width: 7.62 mm, lettering field size: 7.62 x 5 mm

### SZF 1-0,6X3,5 - Screwdriver

1204517

<https://www.phoenixcontact.com/in/products/1204517>



Actuation tool, for ST terminal blocks, also suitable for use as a bladed screwdriver, size: 0.6 x 3.5 x 100 mm, 2-component grip, with non-slip grip

Phoenix Contact 2023 © - all rights reserved

<https://www.phoenixcontact.com>

PHOENIX CONTACT (I) Pvt. Ltd.

A-58/2, Okhla Industrial Area, Phase - II, New Delhi-110 020

+91.1275.71420

[info@phoenixcontact.co.in](mailto:info@phoenixcontact.co.in)