

HC-DD72-I-CT-F - Contact insert



1584091

<https://www.phoenixcontact.com/in/products/1584091>

Please be informed that the data shown in this PDF document is generated from our Online Catalog. Please find the complete data in the user documentation. Our General Terms of Use for Downloads are valid.

HEAVYCON female insert, DD72 series, 72-pos., crimp connection



Your advantages

- Can be used in rail vehicles, satisfy DIN EN 45545-2 with requirement sets R22, R23, and R24 in hazard levels HL1, HL2, and HL3.

Commercial Data

Item number	1584091
Packing unit	1 pc
Minimum order quantity	1 pc
Sales Key	BF7
Product Key	BF7ABF
Catalog Page	Page 539 (C-2-2019)
GTIN	4046356133401
Weight per Piece (including packing)	61.3 g
Weight per Piece (excluding packing)	60.4 g
Customs tariff number	85389099
Country of origin	CN

HC-DD72-I-CT-F - Contact insert



1584091

<https://www.phoenixcontact.com/in/products/1584091>

Technical Data

Notes

General	For HEAVYCON ADVANCE and HEAVYCON housing of type B16, crimp contacts: CK 1,6-ED... (not included in scope of supply)
General	Connectors may be operated only when there is no load/voltage.
General	It is imperative that guide pins (HC-CST) and sockets (HC-CBU) are used to prevent tip collision due to misalignment.

Mounting

Assembly instructions	To ensure correct use, installation in housing with IP54 protection or better is required
-----------------------	---

Product properties

Type	B16 B32
Product type	Contact insert with a fixed no. of positions
Number of positions	72
Connection profile	72+PE
Contact numbering	1 - 72
Application	Signal
Number of connections per position	1
Contact type	turned rolled
Series	HC-DD

Insulation characteristics

Overvoltage category	III
Degree of pollution	3

Dimensions

Dimensional drawing	
Width	34 mm
Height	34.5 mm
Length	84 mm
Drill hole distance, horizontal	77.5 mm
Drill hole distance, vertical	27 mm

Mechanical characteristics

Minimum housing height	72 mm
------------------------	-------

HC-DD72-I-CT-F - Contact insert



1584091

<https://www.phoenixcontact.com/in/products/1584091>

Contact diameter	1.6 mm
------------------	--------

Electrical properties

Rated voltage (III/3)	250 V
Rated surge voltage	4 kV
Rated current	10 A
SCCR	5 kA (UL 2237)

Mechanical properties

Mechanical data

Insertion/withdrawal cycles	≥ 500
-----------------------------	-------

Material specifications

Flammability rating according to UL 94	V0
Contact material	Copper alloy
Contact surface material	Ag (alternatively Au)
Contact carrier material	PC
Standards/regulations	PC: Fire protection in rail vehicles - requirement sets R22, R23, and R24 acc. to DIN EN 45545-2 (Risk level HL1 - HL3)

Environmental and real-life conditions

Ambient conditions

Ambient temperature (operation)	-40 °C ... 125 °C (including heating up of contacts)
---------------------------------	--

Standards and regulations

Constructional and testing regulations	DIN VDE 0627/86
	DIN VDE 0110/02.79
	DIN VDE 0110-1/04.97
	IEC 60664-1, DIN IEC 60512
	IEC 60352
Tests	DIN VDE 0627/86
	DIN VDE 0110/02.79
	DIN VDE 0110-1/04.97
	IEC 60664-1, DIN IEC 60512
	IEC 60352

Testing

Standards/regulations	PC: Fire protection in rail vehicles - requirement sets R22, R23, and R24 acc. to DIN EN 45545-2 (Risk level HL1 - HL3)
-----------------------	---

HC-DD72-I-CT-F - Contact insert

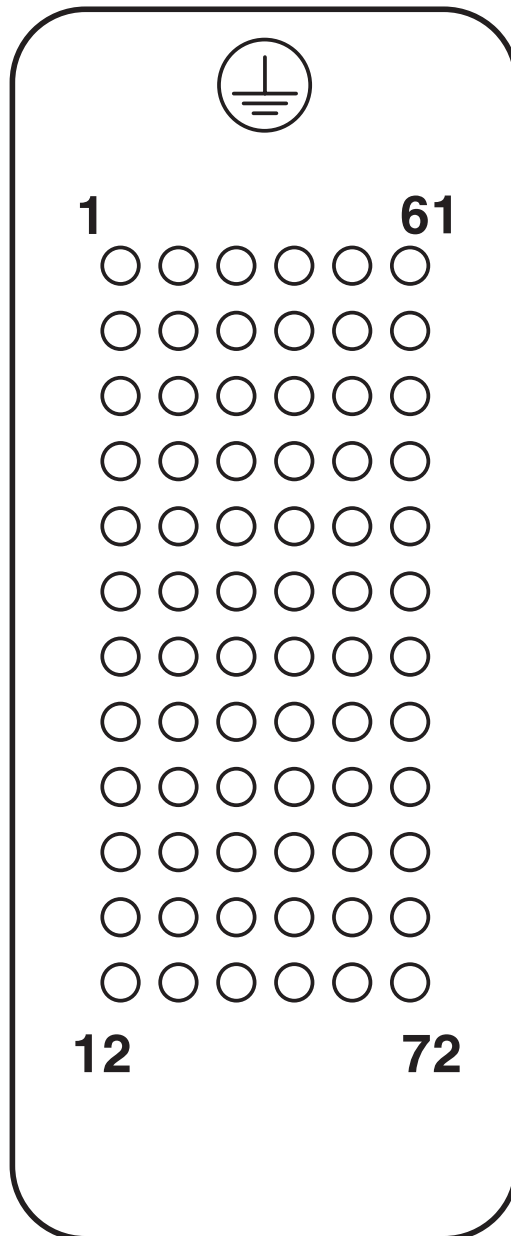
1584091

<https://www.phoenixcontact.com/in/products/1584091>



Drawings

Schematic diagram



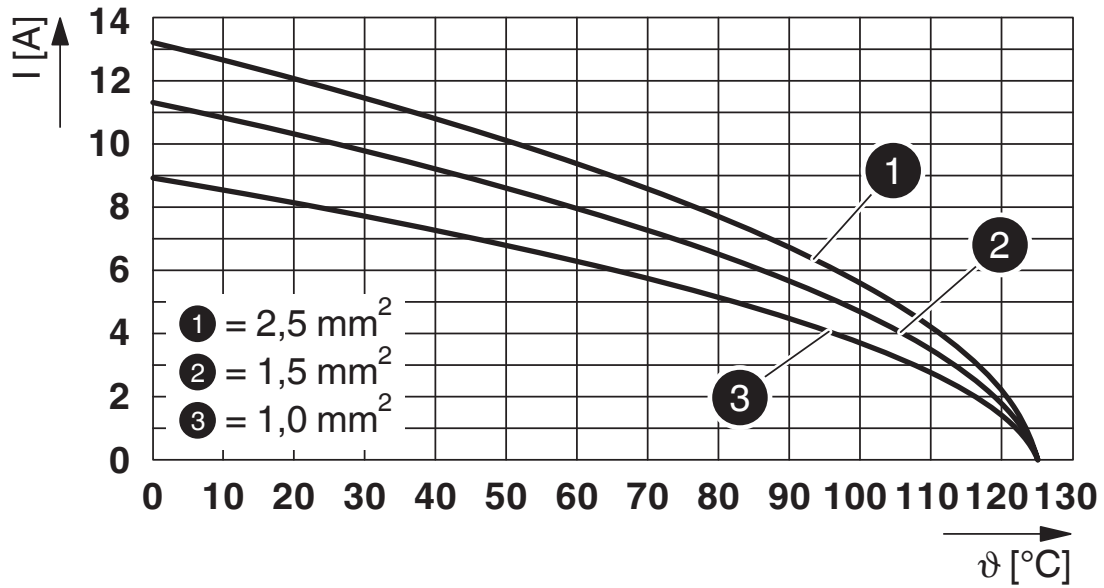
Connector pin assignment, connection side

HC-DD72-I-CT-F - Contact insert

1584091

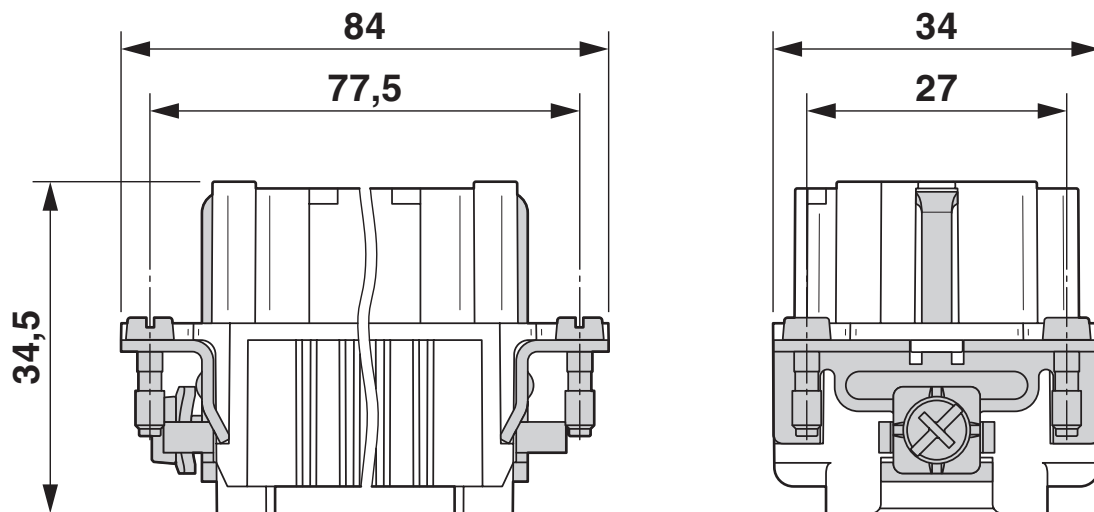
<https://www.phoenixcontact.com/in/products/1584091>

Diagram



Derating diagram turned contacts

Dimensional drawing

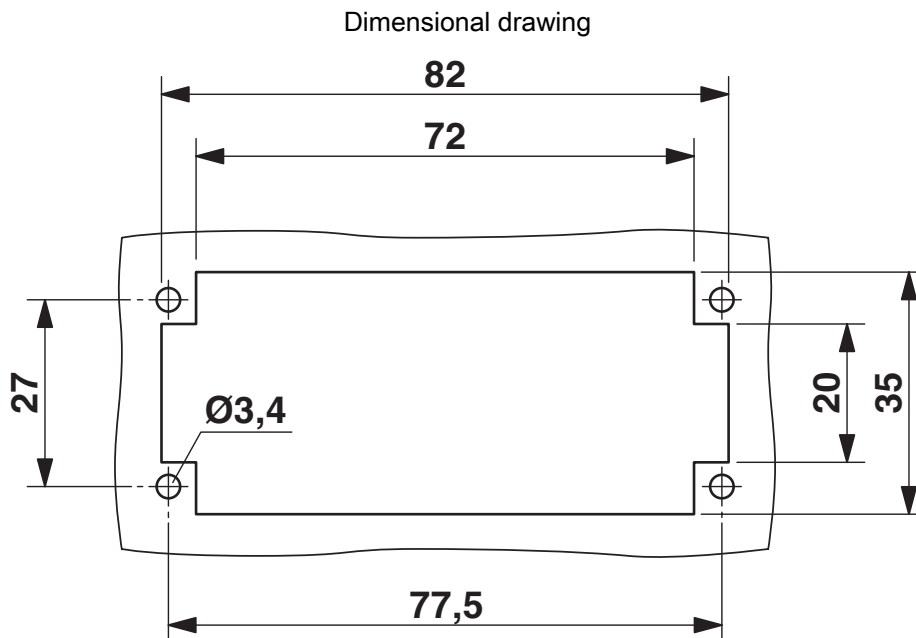


Female insert

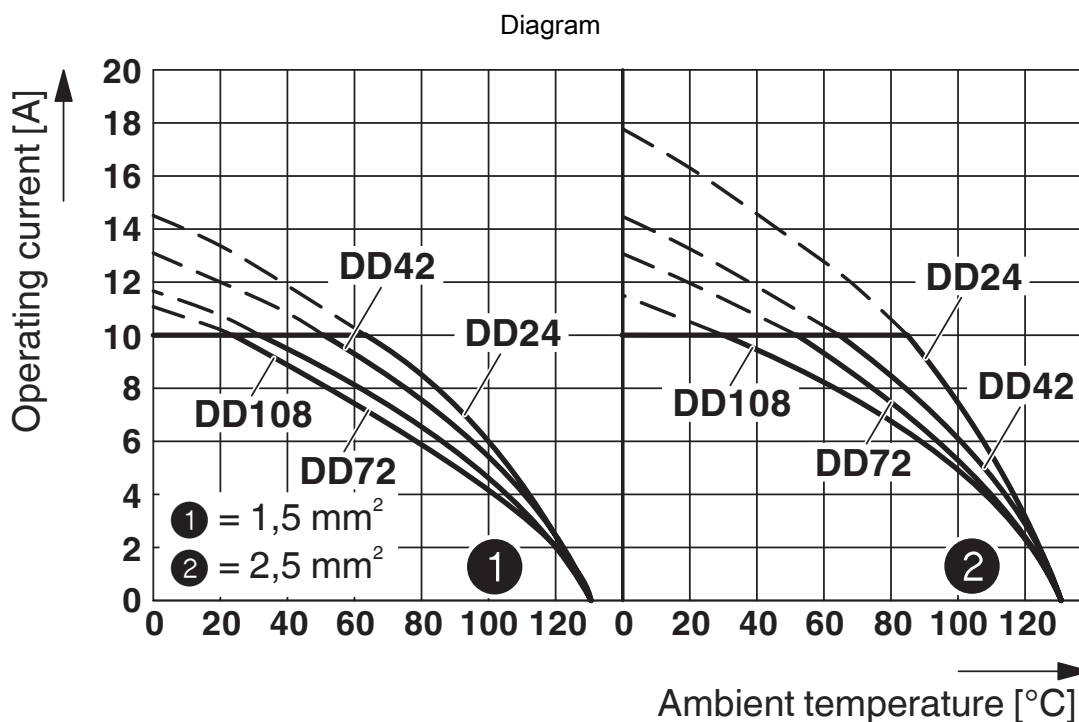
HC-DD72-I-CT-F - Contact insert

1584091

<https://www.phoenixcontact.com/in/products/1584091>



Mounting cutout when used without housing



Derating diagram

HC-DD72-I-CT-F - Contact insert




1584091

<https://www.phoenixcontact.com/in/products/1584091>

Approvals


 CSA Approval ID: 013631_6233_01	Nominal Voltage U_N	Nominal Current I_N	Cross Section AWG	Cross Section mm^2
	250 V	7 A	26 - 14	-

 cUL Recognized Approval ID: FILE E 118976	Nominal Voltage U_N	Nominal Current I_N	Cross Section AWG	Cross Section mm^2
	250 V	7 A	- 14	-

 UL Recognized Approval ID: FILE E 118976	Nominal Voltage U_N	Nominal Current I_N	Cross Section AWG	Cross Section mm^2
	250 V	10 A	- 14	-

 EAC Approval ID: RU C-DE.AI30.B.01102				
---	--	--	--	--

 cULus Recognized Approval ID: E468743	Nominal Voltage U_N	Nominal Current I_N	Cross Section AWG	Cross Section mm^2
	250 V	7 A	- 14	-

 EAC Approval ID: RU C-DE.BL08.B.00511				
---	--	--	--	--

HC-DD72-I-CT-F - Contact insert



1584091

<https://www.phoenixcontact.com/in/products/1584091>

Classifications

ECLASS

ECLASS-11.0	27440205
ECLASS-12.0	27440205
ECLASS-13.0	27440205

ETIM

ETIM 8.0	EC000438
----------	----------

UNSPSC

UNSPSC 21.0	39121500
-------------	----------

HC-DD72-I-CT-F - Contact insert



1584091

<https://www.phoenixcontact.com/in/products/1584091>

Environmental Product Compliance

China RoHS	Environmentally friendly use period: unlimited = EFUP-e No hazardous substances above threshold values
------------	---

HC-DD72-I-CT-F - Contact insert

1584091

<https://www.phoenixcontact.com/in/products/1584091>



Accessories

HC-CP-CK1.6-PL - Coding element

1095422

<https://www.phoenixcontact.com/in/products/1095422>

Coding element for HC-D and HC-DD contact inserts with pole loss. Installed in the socket contact chamber.



HC-CST - Coding element

1676857

<https://www.phoenixcontact.com/in/products/1676857>

Coding peg for coding up to 16 connectors



HC-DD72-I-CT-F - Contact insert

1584091

<https://www.phoenixcontact.com/in/products/1584091>



HC-CBU - Coding element

1676860

<https://www.phoenixcontact.com/in/products/1676860>



Coding socket for coding up to 16 connectors

HC-B-PE-PT - Adapter

1054672

<https://www.phoenixcontact.com/in/products/1054672>



PE adapter with PT connection, for 1 PE connection, for HC-B / HC-BB / HC-DD / HC-D40 / HC-D64 contact inserts

HC-DD72-I-CT-F - Contact insert

1584091

<https://www.phoenixcontact.com/in/products/1584091>



HC-B-2PE-PT - PE multiplier

1054675

<https://www.phoenixcontact.com/in/products/1054675>



PE adapter with PT connection, for 2 PE connections, for HC-B / HC-BB / HC-DD / HC-D40 / HC-D64 contact inserts

HC-B-3PE - PE multiplier

1644326

<https://www.phoenixcontact.com/in/products/1644326>



PE multiplier, for 3 PE connections, for HC-B / HC-BB / HC-DD / HC-D40 / HC-D64 contact inserts

HC-DD72-I-CT-F - Contact insert

1584091

<https://www.phoenixcontact.com/in/products/1584091>



HC-B-PES - Screw

1604997

<https://www.phoenixcontact.com/in/products/1604997>

PE screw, for contact inserts HC-B / HC-BB / HC-DD / HC-D40 / HC-D64



HC-DD72-FP-F - Front plate

1201498

<https://www.phoenixcontact.com/in/products/1201498>

Guide element/front plate for the easy and secure connection of HC-DD series high-position connectors. Snap onto the contact insert. During connection, the pin contact is guided into place first, preventing contact with the socket contact.



HC-DD72-I-CT-F - Contact insert

1584091

<https://www.phoenixcontact.com/in/products/1584091>



HC-B-ZG - Strain relief clamp

1685327

<https://www.phoenixcontact.com/in/products/1685327>



Strain relief clamps contact inserts of series: B-, BB-, D 40, D 64, DD and HV, straight cable exit

HC-B-ZS - Strain relief clamp

1685330

<https://www.phoenixcontact.com/in/products/1685330>



Strain relief clamps contact inserts of series: B-, BB-, D 40, D 64, DD and HV, lateral cable exit

HC-DD72-I-CT-F - Contact insert

1584091

<https://www.phoenixcontact.com/in/products/1584091>



UNIFOX MT-CK 1.6/2.5 - Assembly tool

1089092

<https://www.phoenixcontact.com/in/products/1089092>



Assembly tool, for CK 1.6... crimp contacts for small conductor cross sections

UNIFOX RT-CK 1.6 - Contact removal tool

1072069

<https://www.phoenixcontact.com/in/products/1072069>



Contact removal tool, for turned and rolled CK- 1.6-... contacts

HC-DD72-I-CT-F - Contact insert

1584091

<https://www.phoenixcontact.com/in/products/1584091>



HC-CIF-B16-HFWL-PL - DIN rail mounting frame

1424336

<https://www.phoenixcontact.com/in/products/1424336>



DIN rail mounting frame, design: B16, for contact inserts, Top frame

HC-B 16-ANDOCK - Docking frames

1586138

<https://www.phoenixcontact.com/in/products/1586138>



Docking frame for racks, for contact inserts of B16 type, with four M5 flat headed screws, rack balance x/y axis ± 1.5 mm

HC-DD72-I-CT-F - Contact insert

1584091

<https://www.phoenixcontact.com/in/products/1584091>



HC-CIF-B06-24-BFAFL-PL - DIN rail mounting frame

1424338

<https://www.phoenixcontact.com/in/products/1424338>

DIN rail mounting frame, design: B6 - B24, for contact inserts, Base frame



HC-B24/16-ADP-SS - Adapter plate

1034216

<https://www.phoenixcontact.com/in/products/1034216>

Adapter plate, design: B24 to B16



HC-DD72-I-CT-F - Contact insert

1584091

<https://www.phoenixcontact.com/in/products/1584091>



CK1,6-ED-0,37BU AG - Crimp contact

1663394

<https://www.phoenixcontact.com/in/products/1663394>



Crimp contact, contact diameter: 1.6 mm, turned, Socket, contact material: Copper alloy, contact surface: silver-plated, connection cross section: 0.14 mm² ... 0.37 mm², AWG 26 ... 22

CK1,6-ED-0,50BU AG - Crimp contact

1663404

<https://www.phoenixcontact.com/in/products/1663404>



Crimp contact, contact diameter: 1.6 mm, turned, Socket, contact material: Copper alloy, contact surface: silver-plated, connection cross section: 0.5 mm² ... 0.5 mm², AWG 20

HC-DD72-I-CT-F - Contact insert

1584091

<https://www.phoenixcontact.com/in/products/1584091>



CK1,6-ED-0,75BU AG - Crimp contact

1663417

<https://www.phoenixcontact.com/in/products/1663417>



Crimp contact, contact diameter: 1.6 mm, turned, Socket, contact material: Copper alloy, contact surface: silver-plated, connection cross section: 0.75 mm² ... 0.75 mm², AWG 18

CK1,6-ED-1,00BU AG - Crimp contact

1663420

<https://www.phoenixcontact.com/in/products/1663420>



Crimp contact, contact diameter: 1.6 mm, turned, Socket, contact material: Copper alloy, contact surface: silver-plated, connection cross section: 1 mm² ... 1 mm², AWG 18

HC-DD72-I-CT-F - Contact insert

1584091

<https://www.phoenixcontact.com/in/products/1584091>



CK1,6-ED-1,50BU AG - Crimp contact

1663433

<https://www.phoenixcontact.com/in/products/1663433>



Crimp contact, contact diameter: 1.6 mm, turned, Socket, contact material: Copper alloy, contact surface: silver-plated, connection cross section: 1.5 mm² ... 1.5 mm², AWG 16

CK1,6-ED-2,50BU AG - Crimp contact

1663446

<https://www.phoenixcontact.com/in/products/1663446>



Crimp contact, contact diameter: 1.6 mm, turned, Socket, contact material: Copper alloy, contact surface: silver-plated, connection cross section: 2.5 mm² ... 2.5 mm², AWG 14

HC-DD72-I-CT-F - Contact insert

1584091

<https://www.phoenixcontact.com/in/products/1584091>



CK1,6-ED-BU-POF - Female contact

1885004

<https://www.phoenixcontact.com/in/products/1885004>



POF fiber optic socket contact, turned, for contact carriers (HC-DD...I-CT.../ HC-M-12-CT-F.../ HC-M-17-CT-F...) of CK1,6-ED... contacts

CK1,6-ED-0,37F AG - Crimp contact

1266249

<https://www.phoenixcontact.com/in/products/1266249>



Crimp contact, contact diameter: 1.6 mm, turned, Socket, contact material: Copper alloy, lead-free, contact surface: silver-plated, connection cross section: 0.14 mm² ... 0.34 mm², AWG 24 ... 22

HC-DD72-I-CT-F - Contact insert

1584091

<https://www.phoenixcontact.com/in/products/1584091>



CK1,6-ED-0,50F AG - Crimp contact

1266252

<https://www.phoenixcontact.com/in/products/1266252>



Crimp contact, contact diameter: 1.6 mm, turned, Socket, contact material: Copper alloy, lead-free, contact surface: silver-plated, connection cross section: 0.5 mm² ... 0.5 mm², AWG 20

CK1,6-ED-0,75F AG - Crimp contact

1266259

<https://www.phoenixcontact.com/in/products/1266259>



Crimp contact, contact diameter: 1.6 mm, turned, Socket, contact material: Copper alloy, lead-free, contact surface: silver-plated, connection cross section: 0.75 mm² ... 0.75 mm², AWG 18

HC-DD72-I-CT-F - Contact insert

1584091

<https://www.phoenixcontact.com/in/products/1584091>



CK1,6-ED-1,00F AG - Crimp contact

1266296

<https://www.phoenixcontact.com/in/products/1266296>



Crimp contact, contact diameter: 1.6 mm, turned, Socket, contact material: Copper alloy, lead-free, contact surface: silver-plated, connection cross section: 1 mm² ... 1 mm², AWG 18

CK1,6-ED-1,50F AG - Crimp contact

1266263

<https://www.phoenixcontact.com/in/products/1266263>



Crimp contact, contact diameter: 1.6 mm, turned, Socket, contact material: Copper alloy, lead-free, contact surface: silver-plated, connection cross section: 1.5 mm² ... 1.5 mm², AWG 16

HC-DD72-I-CT-F - Contact insert

1584091

<https://www.phoenixcontact.com/in/products/1584091>



CK1,6-ED-2,50F AG - Crimp contact

1266295

<https://www.phoenixcontact.com/in/products/1266295>



Crimp contact, contact diameter: 1.6 mm, turned, Socket, contact material: Copper alloy, lead-free, contact surface: silver-plated, connection cross section: 2.5 mm² ... 2.5 mm², AWG 14

CK1,6-ED-0,37BU AU - Crimp contact

1674969

<https://www.phoenixcontact.com/in/products/1674969>



Crimp contact, contact diameter: 1.6 mm, turned, Socket, contact material: Copper alloy, contact surface: gold-plated, connection cross section: 0.14 mm² ... 0.37 mm², AWG 24 ... 22

HC-DD72-I-CT-F - Contact insert

1584091

<https://www.phoenixcontact.com/in/products/1584091>



CK1,6-ED-0,50BU AU - Crimp contact

1674480

<https://www.phoenixcontact.com/in/products/1674480>



Crimp contact, contact diameter: 1.6 mm, turned, Socket, contact material: Copper alloy, contact surface: gold-plated, connection cross section: 0.5 mm² ... 0.5 mm², AWG 20

CK1,6-ED-0,75BU AU - Crimp contact

1672440

<https://www.phoenixcontact.com/in/products/1672440>



Crimp contact, contact diameter: 1.6 mm, turned, Socket, contact material: Copper alloy, contact surface: gold-plated, connection cross section: 0.75 mm² ... 0.75 mm², AWG 18

HC-DD72-I-CT-F - Contact insert

1584091

<https://www.phoenixcontact.com/in/products/1584091>



CK1,6-ED-1,00BU AU - Crimp contact

1674943

<https://www.phoenixcontact.com/in/products/1674943>



Crimp contact, contact diameter: 1.6 mm, turned, Socket, contact material: Copper alloy, contact surface: gold-plated, connection cross section: 1 mm² ... 1 mm², AWG 18

CK1,6-ED-1,50BU AU - Crimp contact

1674930

<https://www.phoenixcontact.com/in/products/1674930>



Crimp contact, contact diameter: 1.6 mm, turned, Socket, contact material: Copper alloy, contact surface: gold-plated, connection cross section: 1.5 mm² ... 1.5 mm², AWG 16

HC-DD72-I-CT-F - Contact insert

1584091

<https://www.phoenixcontact.com/in/products/1584091>



CK1,6-ED-2,50BU AU - Crimp contact

1674985

<https://www.phoenixcontact.com/in/products/1674985>



Crimp contact, contact diameter: 1.6 mm, turned, Socket, contact material: Copper alloy, contact surface: gold-plated, connection cross section: 2.5 mm² ... 2.5 mm², AWG 14

CK1,6-ER-1,00BU OIC AG - Crimp contact

1004362

<https://www.phoenixcontact.com/in/products/1004362>



Crimp contact, contact diameter: 1.6 mm, rolled, Socket, contact material: Cu alloy, nickel-plated, contact surface: silver-plated, connection cross section: 0.34 mm² ... 1 mm², AWG 22 ... 17

HC-DD72-I-CT-F - Contact insert

1584091

<https://www.phoenixcontact.com/in/products/1584091>



CK1,6-ER-2,50BU OIC AG - Crimp contact

1004366

<https://www.phoenixcontact.com/in/products/1004366>



Crimp contact, contact diameter: 1.6 mm, rolled, Socket, contact material: Cu alloy, nickel-plated, contact surface: silver-plated, connection cross section: 1.5 mm² ... 2.5 mm², AWG 16 ... 14

CK1,6-BR-1,00BU OIC AG - Crimp contact

1004381

<https://www.phoenixcontact.com/in/products/1004381>



Crimp contact, contact diameter: 1.6 mm, rolled, Socket, contact material: Cu alloy, nickel-plated, contact surface: silver-plated, connection cross section: 0.34 mm² ... 1 mm², AWG 22 ... 17, Taped products

HC-DD72-I-CT-F - Contact insert

1584091

<https://www.phoenixcontact.com/in/products/1584091>



CK1,6-BR-2,50BU OIC AG - Crimp contact

1004383

<https://www.phoenixcontact.com/in/products/1004383>



Crimp contact, contact diameter: 1.6 mm, rolled, Socket, contact material: Cu alloy, nickel-plated, contact surface: silver-plated, connection cross section: 1.5 mm² ... 2.5 mm², AWG 16 ... 14, Taped products

HC-DD72-I-CT-M - Contact insert

1584075

<https://www.phoenixcontact.com/in/products/1584075>



HEAVYCON male insert, DD72 series, 72-pos., crimp connection

Phoenix Contact 2023 © - all rights reserved
<https://www.phoenixcontact.com>

PHOENIX CONTACT (I) Pvt. Ltd.
A-58/2, Okhla Industrial Area, Phase - II, New Delhi-110 020

+91.1275.71420
info@phoenixcontact.co.in