

CK1,6-ED-0,37BU AU - Crimp contact



1674969

<https://www.phoenixcontact.com/in/products/1674969>

Please be informed that the data shown in this PDF document is generated from our Online Catalog. Please find the complete data in the user documentation. Our General Terms of Use for Downloads are valid.



Crimp contact, contact diameter: 1.6 mm, turned, Socket, contact material: Copper alloy, contact surface: gold-plated, connection cross section: 0.14 mm² ... 0.37 mm², AWG 24 ... 22

Commercial Data

Item number	1674969
Packing unit	100 pc
Minimum order quantity	100 pc
Sales Key	BF7
Product Key	BF7AIA
Catalog Page	Page 507 (C-2-2019)
GTIN	4017918135669
Weight per Piece (including packing)	0.732 g
Weight per Piece (excluding packing)	0.7 g
Customs tariff number	85366990
Country of origin	DE

CK1,6-ED-0,37BU AU - Crimp contact



1674969

<https://www.phoenixcontact.com/in/products/1674969>

Technical Data

Notes

General	for HC-M-12, HC-M-17, HC-M-03/04, HC-M-EMV, HC-D, HC-DD, HC-Q, and VC-D contact carriers
---------	--

Mounting

Assembly instructions	At voltages of < 5 V and currents < 5 mA, gold-plated contacts are recommended.
	The quality of a crimp connection is determined by DIN EN 60352-2.

Product properties

Product type	Crimp contact
Type	Individual female contact
Contact type	turned
Series	HC-M-12
	HC-M-EMV
	HC-D
	HC-DD
	VC-D
	HC-M-03/04
	HC-M-17
	HC-K
	HC-Q
	HC-COM
HC-M-42	

Connection data

Connection method	Crimp connection
Type of contact	Socket
Connection technology	Crimp connection
Conductor cross section	0.14 mm ² ... 0.37 mm ²
Connection cross section AWG	24 ... 22
Stripping length of the individual wire	8 mm

Material specifications

Contact material	Copper alloy
Contact surface material	gold-plated

Dimensions

Mechanical characteristics

Contact diameter	1.6 mm
------------------	--------

CK1,6-ED-0,37BU AU - Crimp contact



1674969

<https://www.phoenixcontact.com/in/products/1674969>

Mechanical properties

Mechanical data

Insertion/withdrawal cycles	≥ 500
-----------------------------	-------

Environmental and real-life conditions

Ambient conditions

Ambient temperature (operation)	-40 °C ... 125 °C
---------------------------------	-------------------

CK1,6-ED-0,37BU AU - Crimp contact

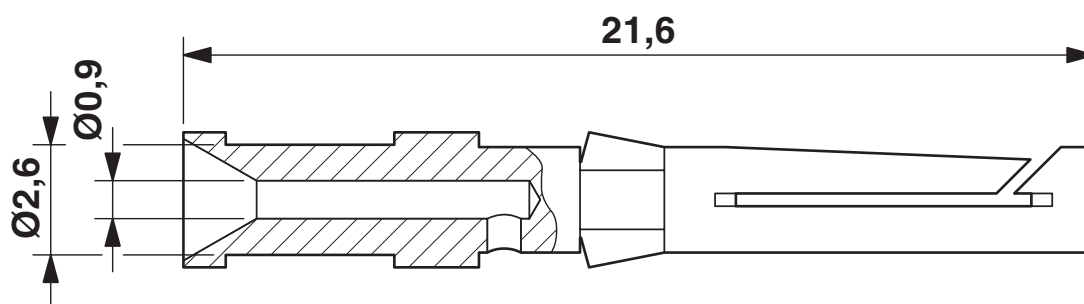


1674969

<https://www.phoenixcontact.com/in/products/1674969>

Drawings

Dimensional drawing



Dimensional drawing

CK1,6-ED-0,37BU AU - Crimp contact

1674969

<https://www.phoenixcontact.com/in/products/1674969>



Approvals



EAC

Approval ID: RU C-DE.AI30.B.01102

CK1,6-ED-0,37BU AU - Crimp contact



1674969

<https://www.phoenixcontact.com/in/products/1674969>

Classifications

ECLASS

ECLASS-11.0	27440204
ECLASS-12.0	27440204
ECLASS-13.0	27440204

ETIM

ETIM 8.0	EC000796
----------	----------

UNSPSC

UNSPSC 21.0	39121500
-------------	----------

CK1,6-ED-0,37BU AU - Crimp contact



1674969

<https://www.phoenixcontact.com/in/products/1674969>

Environmental Product Compliance

REACH SVHC	Lead 7439-92-1
China RoHS	Environmentally Friendly Use Period = 50 years
	For information on hazardous substances, refer to the manufacturer's declaration available under "Downloads"

CK1,6-ED-0,37BU AU - Crimp contact

1674969

<https://www.phoenixcontact.com/in/products/1674969>



Accessories

CRIMPFOX-TC HC 4 - Crimping pliers

1297083

<https://www.phoenixcontact.com/in/products/1297083>



Crimping pliers, for CK 1,6-ED..., CK 2,5-ED..., CK 4,0-ED... turned contacts, 4 marked die stations, unlockable pressure lock, lateral entry, incl. positioning tool

UNIFOX RT-CK 1.6 - Contact removal tool

1072069

<https://www.phoenixcontact.com/in/products/1072069>



Contact removal tool, for turned and rolled CK- 1.6-... contacts

CK1,6-ED-0,37BU AU - Crimp contact

1674969

<https://www.phoenixcontact.com/in/products/1674969>



UNIFOX MT-CK 1.6/2.5 - Assembly tool

1089092

<https://www.phoenixcontact.com/in/products/1089092>

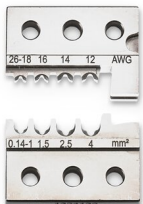


Assembly tool, for CK 1.6... crimp contacts for small conductor cross sections

CF 500/DIE TC HC 4 - Crimp insert

1324132

<https://www.phoenixcontact.com/in/products/1324132>



Die for CF 500 crimping device, CK 1,6-ED..., CK 2,5-ED..., CK 4,0-ED... turned contacts, 4 marked die stations

CK1,6-ED-0,37BU AU - Crimp contact

1674969

<https://www.phoenixcontact.com/in/products/1674969>



CK1,6-ED-0,37ST AU - Crimp contact

1674901

<https://www.phoenixcontact.com/in/products/1674901>



Crimp contact, contact diameter: 1.6 mm, turned, Pin, contact material: Copper alloy, contact surface: gold-plated, connection cross section: 0.14 mm² ... 0.37 mm², AWG 22 ... 24

Phoenix Contact 2023 © - all rights reserved

<https://www.phoenixcontact.com>

PHOENIX CONTACT (I) Pvt. Ltd.

A-58/2, Okhla Industrial Area, Phase - II, New Delhi-110 020

+91.1275.71420

info@phoenixcontact.co.in