

Please be informed that the data shown in this PDF document is generated from our Online Catalog. Please find the complete data in the user documentation. Our General Terms of Use for Downloads are valid.



Cover profile, for covering terminal strips, snapped onto APT-ME cover profile carrier or APH-ME end bracket. A cover profile carrier should be positioned at the ends and at intervals of around 40 cm. Length supplied: 1 m

Your advantages

- The cover can be securely snapped onto the corresponding APH-ME end brackets and sealed as an option
- Cover profiles provide protection against unauthorized actuation of terminal strips
- This profile has been specially adapted to the shape of the test disconnect terminal blocks

Commercial Data

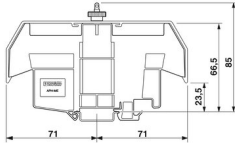
Item number	3034361
Packing unit	10 pc
Minimum order quantity	1 pc
Sales Key	BE6
Product Key	BE61ZX
Catalog Page	Page 546 (C-3-2019)
GTIN	4046356316774
Weight per Piece (including packing)	540 g
Weight per Piece (excluding packing)	540 g
Customs tariff number	39162000
Country of origin	DE

Technical Data

Product properties

Product type	Cover profile
--------------	---------------

Dimensions

Dimensional drawing	
Width	142 mm
Height	48.4 mm
Length	1000 mm

Material specifications

Color	transparent
Material	PVC
Flammability rating according to UL 94	V0

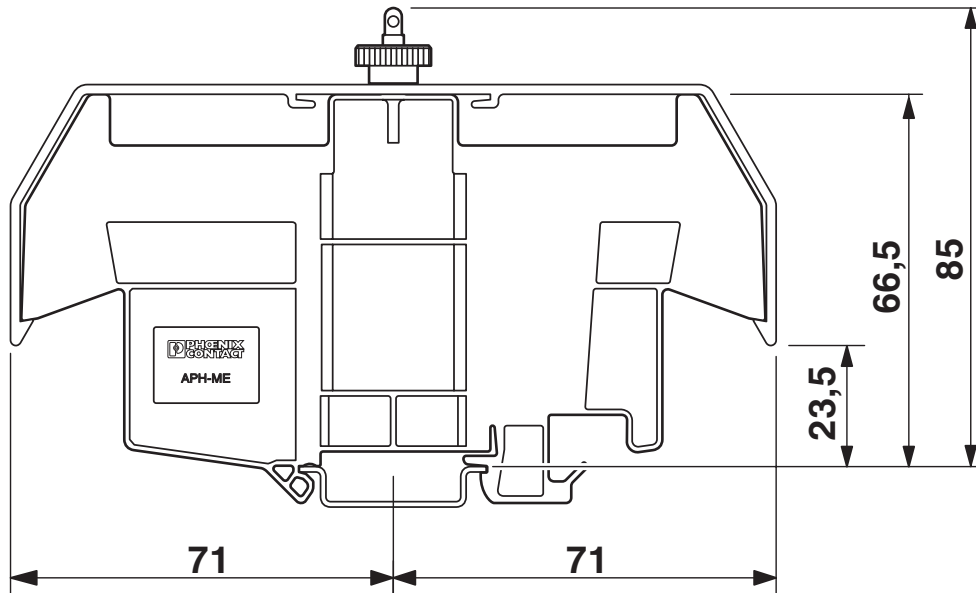
Environmental and real-life conditions

Ambient conditions

Ambient temperature (operation)	-15 °C ... 65 °C
---------------------------------	------------------

Drawings

Dimensional drawing



3034361

<https://www.phoenixcontact.com/in/products/3034361>

Classifications

ECLASS

ECLASS-11.0	27141190
ECLASS-12.0	27141190
ECLASS-13.0	27141190

ETIM

ETIM 8.0	EC002848
----------	----------

UNSPSC

UNSPSC 21.0	39121400
-------------	----------

Environmental Product Compliance

China RoHS	Environmentally friendly use period: unlimited = EFUP-e
	No hazardous substances above threshold values

3034361

<https://www.phoenixcontact.com/in/products/3034361>

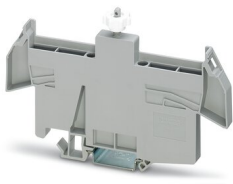
Accessories

APH-ME - Cover profile carrier

3034374

<https://www.phoenixcontact.com/in/products/3034374>

Cover profile carrier, for mounting on NS 35/7,5 DIN rail, for fixing the AP-ME cover profile, can be sealed as an option



APT-ME - Cover profile carrier

3034358

<https://www.phoenixcontact.com/in/products/3034358>

Cover profile carrier for mounting on NS 35/7.5 DIN rail for attaching the cover profile AP-ME



3034361

<https://www.phoenixcontact.com/in/products/3034361>

AP-ES - Insert strip

5022685

<https://www.phoenixcontact.com/in/products/5022685>



Insert strip, white, unlabeled, mounting type: insert, for terminal block width: 35 mm, lettering field size: 35 x 500 mm

Phoenix Contact 2023 © - all rights reserved

<https://www.phoenixcontact.com>

PHOENIX CONTACT (I) Pvt. Ltd.

A-58/2, Okhla Industrial Area, Phase - II, New Delhi-110 020

+91.1275.71420

info@phoenixcontact.co.in