

# PTSM 0,5/ 4-2,5-H SMD R24 - PCB terminal block



1702474

<https://www.phoenixcontact.com/in/products/1702474>

Please be informed that the data shown in this PDF document is generated from our Online Catalog. Please find the complete data in the user documentation. Our General Terms of Use for Downloads are valid.



PCB terminal block, nominal current: 6 A, rated voltage (III/2): 160 V, nominal cross section: 0.5 mm<sup>2</sup>, number of potentials: 4, number of rows: 1, number of positions per row: 4, product range: PTSM 0,5/..-H-SMD, pitch: 2.5 mm, connection method: Push-in spring connection, mounting: SMD soldering, conductor/PCB connection direction: 0 °, color: black, Pin layout: Linear pinning, number of solder pins per potential: 1, type of packaging: 24 mm wide tape

## Your advantages

- Time saving push-in connection, tools not required
- Defined contact force ensures that contact remains stable over the long term
- High current carrying capacity of 6 A in very compact dimensions
- Designed for integration into the SMT soldering process
- Additional solder anchors reduce the mechanical strain on the soldering spots

## Commercial Data

Item number	1702474
Packing unit	770 pc
Minimum order quantity	770 pc
Sales Key	AAK
Product Key	AAKDAA
Catalog Page	Page 53 (C-1-2013)
GTIN	4046356592314
Weight per Piece (including packing)	1.546 g
Weight per Piece (excluding packing)	1.433 g
Customs tariff number	39269098
Country of origin	IN

1702474

<https://www.phoenixcontact.com/in/products/1702474>

## Technical Data

### Product properties

Product line	COMBICON Terminals XS
Product type	Printed circuit board terminal
Product family	PTSM 0,5/...-H-SMD
Number of positions	4
Pitch	2.5 mm
Number of connections	4
Number of rows	1
Number of potentials	4
Pin layout	Linear pinning
Solder pins per potential	1

### Electrical properties

Nominal current $I_N$	6 A
Nominal voltage $U_N$	160 V
Degree of pollution	3
Rated voltage (III/3)	32 V
Rated surge voltage (III/3)	2.5 kV
Rated voltage (III/2)	160 V
Rated surge voltage (III/2)	2.5 kV
Rated voltage (II/2)	160 V
Rated surge voltage (II/2)	2.5 kV

### Connection data

#### Connection technology

Nominal cross section	0.5 mm <sup>2</sup>
-----------------------	---------------------

#### Conductor connection

Connection method	Push-in spring connection
Conductor cross section rigid	0.14 mm <sup>2</sup> ... 0.5 mm <sup>2</sup>
Conductor cross section flexible	0.2 mm <sup>2</sup> ... 0.5 mm <sup>2</sup> (up to 0.75 mm <sup>2</sup> supported, with a stripping length of 7.5 mm and a rated insulation voltage of 32 V at III/2)
Conductor cross section AWG	26 ... 20
Conductor cross section flexible, with ferrule without plastic sleeve	0.25 mm <sup>2</sup> ... 0.5 mm <sup>2</sup>
Conductor cross section, flexible, with ferrule, with plastic sleeve	0.25 mm <sup>2</sup> ... 0.34 mm <sup>2</sup>
Cylindrical gauge a x b / diameter	- / 1.2 mm
Stripping length	6 mm

### Mounting

Mounting type	SMD soldering
Pin layout	Linear pinning

# PTSM 0,5/ 4-2,5-H SMD R24 - PCB terminal block



1702474

<https://www.phoenixcontact.com/in/products/1702474>

## Processing notes

Process	Reflow soldering
Moisture Sensitive Level	MSL 1
Classification temperature $T_c$	260 °C
Solder cycles in the reflow	3

## Material specifications

### Material data - contact

Note	WEEE/RoHS-compliant, free of whiskers according to IEC 60068-2-82/JEDEC JESD 201
Contact material	Cu alloy
Surface characteristics	hot-dip tin-plated
Metal surface terminal point (top layer)	Tin (4 - 8 $\mu\text{m}$ Sn)
Metal surface soldering area (top layer)	Tin (4 - 8 $\mu\text{m}$ Sn)

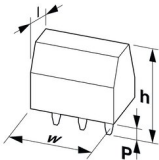
### Material data - housing

Color (Housing)	black (9005)
Insulating material	LCP
Insulating material group	IIIa
CTI according to IEC 60112	175
Flammability rating according to UL 94	V0

### Material data – actuating element

Color ()	()
----------	----

## Dimensions

Dimensional drawing	
Pitch	2.5 mm
Width [w]	12.6 mm
Height [h]	5.12 mm
Length [l]	9 mm
Installed height	5.12 mm

### PCB design

Pad geometry	1.4 x 3.4 mm
Pin spacing	2.5 mm

## Mechanical tests

### Connection test

Specification	IEC 60998-2-2:2002-12
---------------	-----------------------

1702474

<https://www.phoenixcontact.com/in/products/1702474>

Result	Test passed
--------	-------------

#### Test for conductor damage and slackening

Specification	IEC 60998-2-2:2002-12
Result	Test passed

#### Pull-out test

Specification	IEC 60998-2-2:2002-12
Conductor cross section/conductor type/tractive force setpoint/actual value	0.14 mm <sup>2</sup> / solid / > 10 N
	0.2 mm <sup>2</sup> / flexible / > 10 N
	0.5 mm <sup>2</sup> / solid / > 20 N
	0.75 mm <sup>2</sup> / flexible / > 30 N

#### Flexion test

Specification	IEC 60998-2-2:2002-12
Result	Test passed

### Electrical tests

#### Temperature-rise test

Specification	IEC 60998-2-1:2002-12
Requirement temperature-rise test	Increase in temperature ≤ 45 K

#### Insulation resistance

Specification	IEC 60998-1:2002-12
Insulation resistance, neighboring positions	> 5 MΩ

#### Air clearances and creepage distances |

Specification	IEC 60664-1:1992-10 + A1:2000-02 + A2:2002-05
Insulating material group	IIIa
Comparative tracking index (IEC 60112)	CTI 175
Rated insulation voltage (III/3)	32 V
Rated surge voltage (III/3)	2.5 kV
minimum clearance value - non-homogenous field (III/3)	1.5 mm
minimum creepage distance (III/3)	1.3 mm
Rated insulation voltage (III/2)	160 V
Rated surge voltage (III/2)	2.5 kV
minimum clearance value - non-homogenous field (III/2)	1.5 mm
minimum creepage distance (III/2)	1.6 mm
Rated insulation voltage (II/2)	160 V
Rated surge voltage (II/2)	2.5 kV
minimum clearance value - non-homogenous field (II/2)	1.5 mm
minimum creepage distance (II/2)	1.6 mm

### Environmental and real-life conditions

#### Vibration test

# PTSM 0,5/ 4-2,5-H SMD R24 - PCB terminal block



1702474

<https://www.phoenixcontact.com/in/products/1702474>

Specification	IEC 60068-2-6:2007-12
Frequency	10 - 150 - 10 Hz
Sweep speed	1 octave/min
Amplitude	0.35 mm (10 Hz ... 60.1 Hz)
Sweep speed	5g (60.1 Hz ... 150 Hz)
Test duration per axis	2.5 h

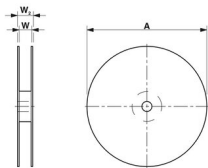
## Glow-wire test

Specification	IEC 60998-1:2002-12
Temperature	850 °C
Time of exposure	5 s

## Ambient conditions

Ambient temperature (operation)	-40 °C ... 100 °C (Depending on the current carrying capacity/derating curve)
Ambient temperature (storage/transport)	-40 °C ... 70 °C
Relative humidity (storage/transport)	30 % ... 70 %
Ambient temperature (assembly)	-5 °C ... 100 °C

## Packaging specifications

Dimensional drawing	
Type of packaging	24 mm wide tape
[W] tape width	24 mm
[W2] coil overall dimension	30.4 mm
[A] coil diameter	330 mm
Outer packaging type	Transparent-Bag
ESD level	(D) electrostatically conductive
Specification	DIN EN 61340-5-1 (VDE 0300-5-1): 2008-07

# PTSM 0,5/ 4-2,5-H SMD R24 - PCB terminal block

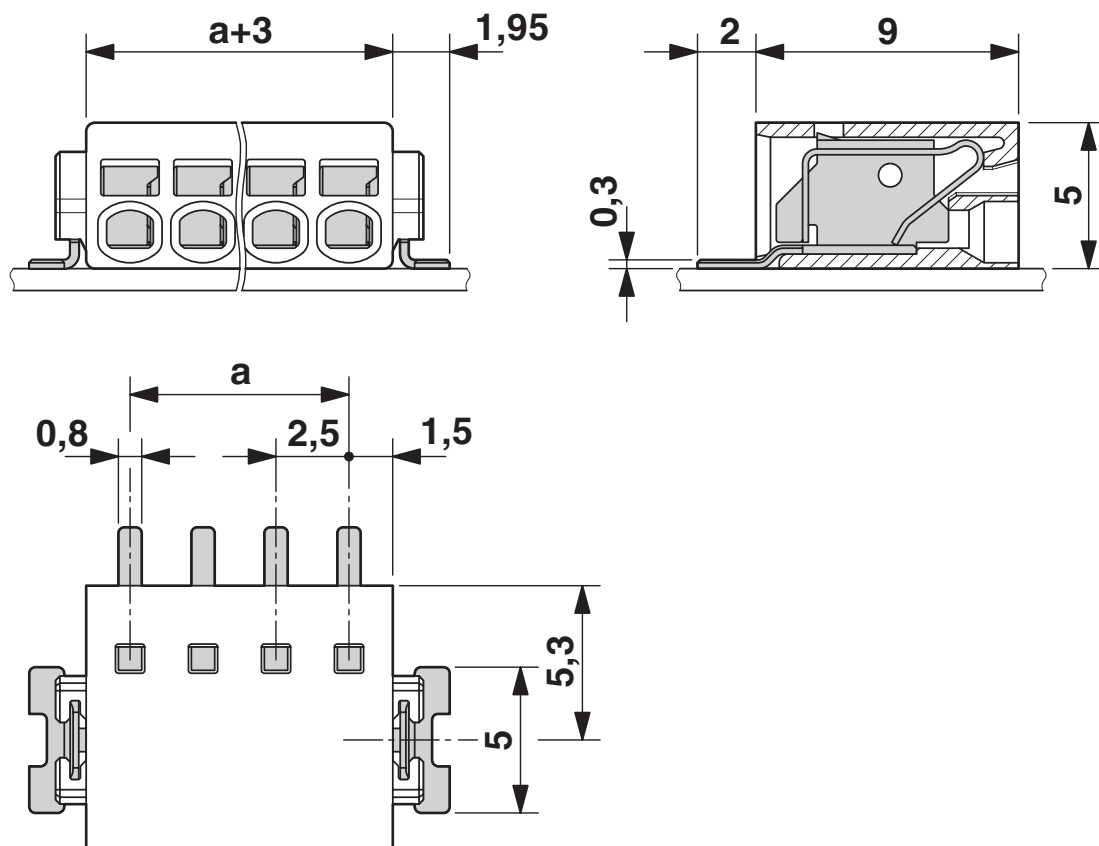


1702474

<https://www.phoenixcontact.com/in/products/1702474>

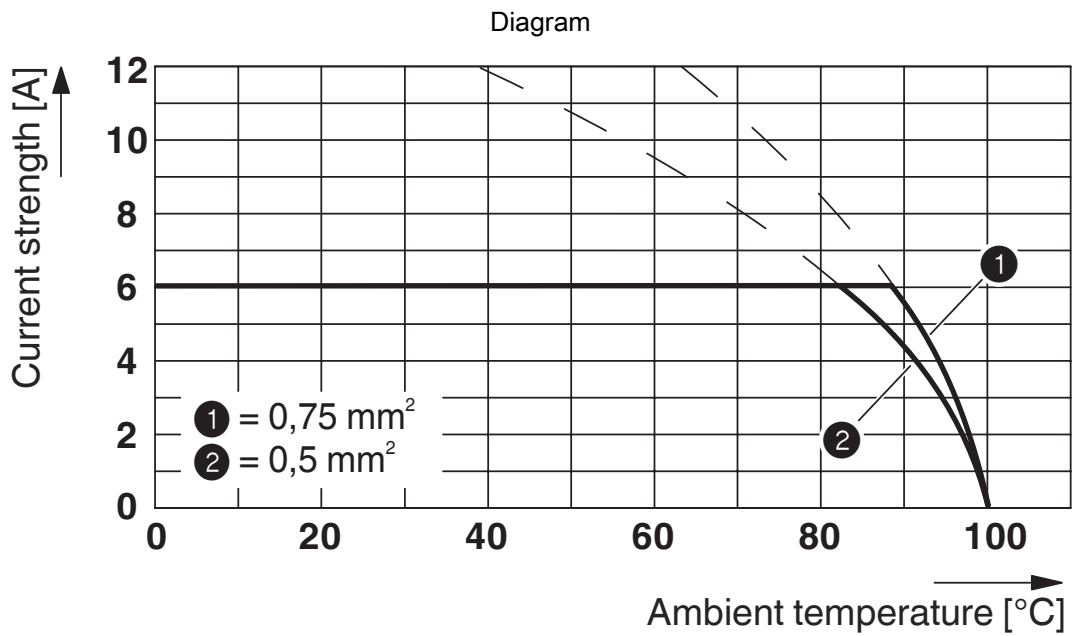
## Drawings

Dimensional drawing



1702474

<https://www.phoenixcontact.com/in/products/1702474>



Type: PTSM 0,5/...-2,5-H- SMD R44

Tested in accordance with DIN EN 60512-5-2:2003-01

Reduction factor = 1

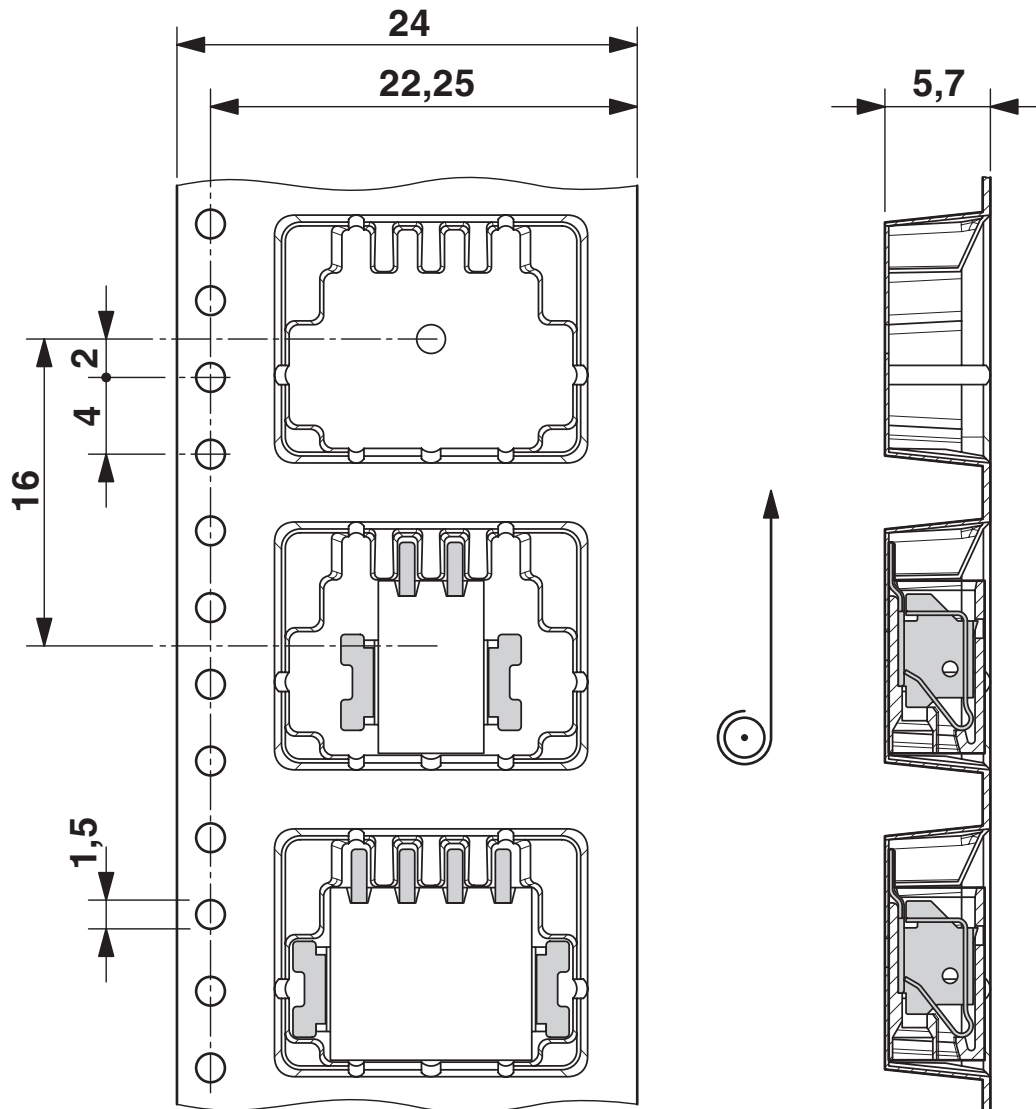
No. of positions: 5

# PTSM 0,5/ 4-2,5-H SMD R24 - PCB terminal block

1702474

<https://www.phoenixcontact.com/in/products/1702474>

Dimensional drawing





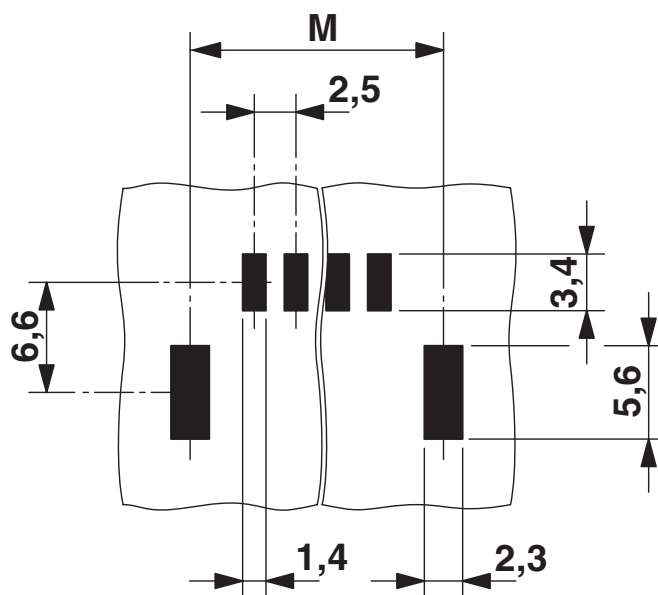
# PTSM 0,5/ 4-2,5-H SMD R24 - PCB terminal block



1702474

<https://www.phoenixcontact.com/in/products/1702474>

Drilling plan/solder pad geometry



Dimension M: 12.7 mm

# PTSM 0,5/ 4-2,5-H SMD R24 - PCB terminal block




1702474


<https://www.phoenixcontact.com/in/products/1702474>

## Approvals

	<b>UL Recognized</b> Approval ID: E118976-20130619				
	Nominal Voltage $U_N$	Nominal Current $I_N$	Cross Section AWG	Cross Section $\text{mm}^2$	
	150 V	5 A	26 - 18	-	

	<b>EAC</b> Approval ID: B.01687				
---	------------------------------------	--	--	--	--

	<b>cULus Recognized</b> Approval ID: E60425-20030527				
	Nominal Voltage $U_N$	Nominal Current $I_N$	Cross Section AWG	Cross Section $\text{mm}^2$	
	150 V	5 A	26 - 20	-	

	<b>VDE Zeichengenehmigung</b> Approval ID: 40048725				
---	--	--	--	--	--

# PTSM 0,5/ 4-2,5-H SMD R24 - PCB terminal block



1702474

<https://www.phoenixcontact.com/in/products/1702474>

## Classifications

### ECLASS

ECLASS-11.0	27460101
ECLASS-12.0	27460101
ECLASS-13.0	27460101

### ETIM

ETIM 8.0	EC002643
----------	----------

### UNSPSC

UNSPSC 21.0	39121400
-------------	----------

# PTSM 0,5/ 4-2,5-H SMD R24 - PCB terminal block



1702474

<https://www.phoenixcontact.com/in/products/1702474>

## Environmental Product Compliance

China RoHS	Environmentally friendly use period: unlimited = EFUP-e
	No hazardous substances above threshold values

# PTSM 0,5/ 4-2,5-H SMD R24 - PCB terminal block



1702474

<https://www.phoenixcontact.com/in/products/1702474>

## Accessories

### SZS 0,4X2,0 - Screwdriver

1205202

<https://www.phoenixcontact.com/in/products/1205202>



Micro screwdriver, bladed, size: 0.4 x 2.0 x 60 mm, 2-component grip, with non-slip grip and twist cap

---

### AI 0,25- 6 BU - Ferrule

3203040

<https://www.phoenixcontact.com/in/products/3203040>



Ferrule, sleeve length: 6 mm, length: 10.5 mm, color: blue

# PTSM 0,5/ 4-2,5-H SMD R24 - PCB terminal block

1702474

<https://www.phoenixcontact.com/in/products/1702474>

## AI 0,25- 6 YE - Ferrule

3203024

<https://www.phoenixcontact.com/in/products/3203024>



Ferrule, sleeve length: 6 mm, length: 10.5 mm, color: yellow

---

## AI 0,34- 6 TQ - Ferrule

3203053

<https://www.phoenixcontact.com/in/products/3203053>



Ferrule, sleeve length: 6 mm, length: 10.5 mm, color: turquoise

# PTSM 0,5/ 4-2,5-H SMD R24 - PCB terminal block



1702474

<https://www.phoenixcontact.com/in/products/1702474>

## SAMPLE PTSM 0,5/ 4-2,5-H-SMD - PCB terminal block

1701077

<https://www.phoenixcontact.com/in/products/1701077>



PCB terminal block, nominal current: 6 A, rated voltage (III/2): 160 V, nominal cross section: 0.5 mm<sup>2</sup>, number of potentials: 4, number of rows: 1, number of positions per row: 4, product range: PTSM 0,5/..-H-SMD, pitch: 2.5 mm, connection method: Push-in spring connection, mounting: SMD soldering, conductor/PCB connection direction: 0 °, color: black, Pin layout: Linear pinning, Solder pin [P]: 2 mm, number of solder pins per potential: 1, type of packaging: packed in cardboard. SAMPLE set with 5 items in belt section. When used as part of soldering process, please use items without SAMPLE marking

---

Phoenix Contact 2023 © - all rights reserved

<https://www.phoenixcontact.com>

PHOENIX CONTACT (I) Pvt. Ltd.

A-58/2, Okhla Industrial Area, Phase - II, New Delhi-110 020

+91.1275.71420

[info@phoenixcontact.co.in](mailto:info@phoenixcontact.co.in)