

DATA SHEET

PART NO.: L-C150WDT-SH3

REV: A/1

CUSTOMER'S APPROVAL : _____

DCC : _____

SURFACE MOUNT DEVICE LED

Part No. : L-C150WDT-SH3

REV: A/1

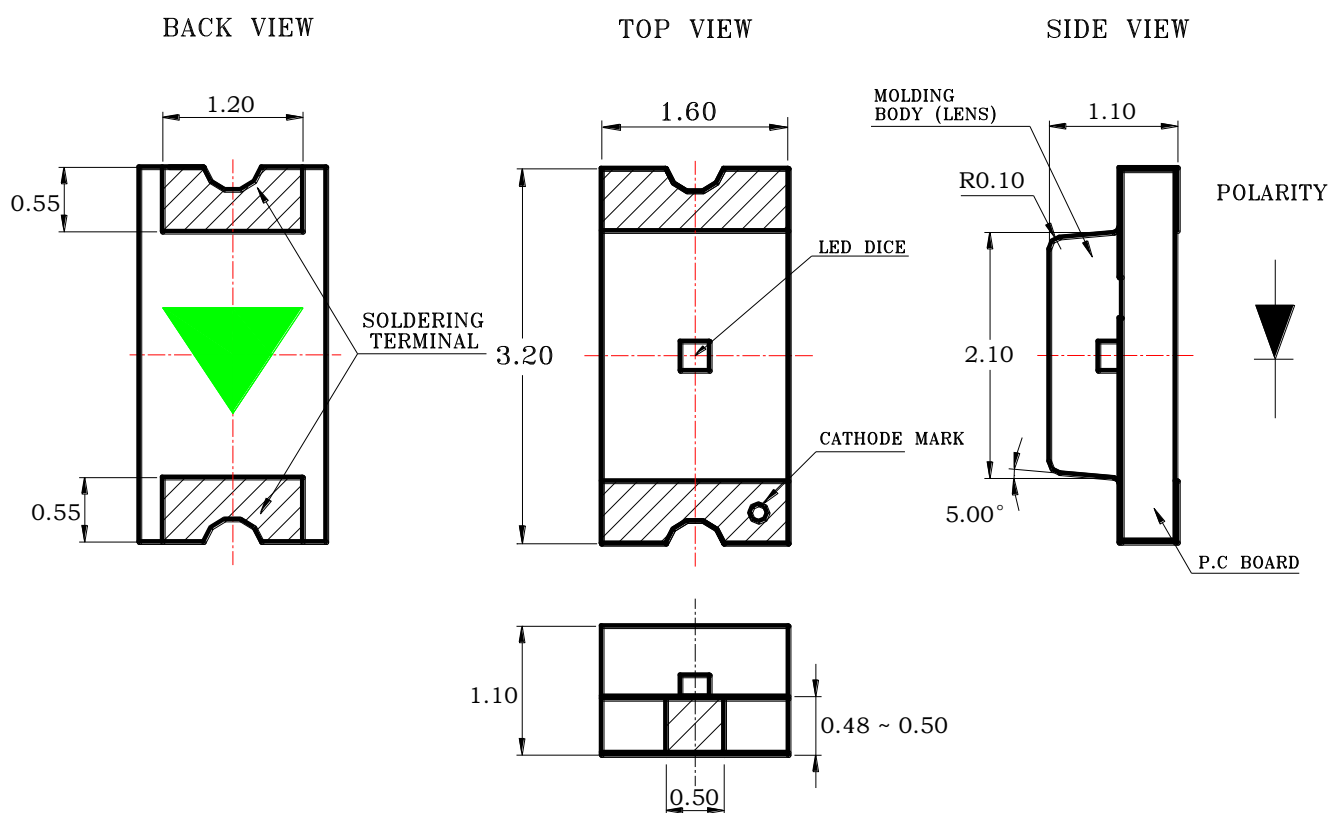
● Features

- * Wide view angle, White color SMD chip LED .
- * Compatible with automatic Pick & Place equipment.
- * Compatible with Reflow soldering and Wave soldering processes.
- * EIA STD package.(ANSI/EIA-481-B-2001)
- * I.C. compatible, low current application
- * Pb free product and acceptable lead-free process!.
- * Meet RoHS Green Product.
- * Moisture sensitivity level: 3 .

● Application

- * LCD back light
- * Switch back lights
- * Illuminations.

● PACKAGE OUTLINE DIMENSIONS



Notes:

1. All dimensions are in millimeters.
2. Tolerance is $\pm 0.1\text{mm}$ (.004") unless otherwise noted.

SURFACE MOUNT DEVICE LED

Part No. : L-C150WDT-SH3

REV: A/1

● CHIP MATERIALS

- * Dice Material : InGaN
- * Light Color : White
- * Lens Color : Light Yellow Diffused.

● Absolute Maximum Ratings(Ta=25°C)

Symbol	Parameter	Rating	Unit
P _D	Power Dissipation	80	mW
I _{PF}	Peak Forward Current (1/10 Duty Cycle, 0.1ms Pulse Width)	80	mA
I _F	Continuous Forward Current	20	mA
V _R	Reverse Voltage	5	V
ESD	Electrostatic Discharge Threshold(HBM) ^{Note A}	2000	V
Topr	Operating Temperature Range	-40 ~ + 85	°C
Tstg	Storage Temperature Range	-40 ~ + 85	°C

Note A :

HBM : Human Body Model. Seller gives no other assurances regarding the ability of to withstand ESD.

● Electro-Optical Characteristics(Ta=25°C)

Parameter	Symbol	Min.	Typ.	Max.	Unit	Test Condition
Luminous Intensity	IV	710	1000	1400	mcd	IF=20mA
Viewing Angle	2 θ 1/2		130		Deg	Note 2
CIE Chromaticity	X		0.275			IF=20mA
CIE Chromaticity	Y		0.268			
Forward Voltage	VF	2.65	2.95	3.25	V	IF = 20mA
Reverse Current	IR			50	μ A	VR = 5V

SURFACE MOUNT DEVICE LED

Part No. : L-C150WDT-SH3

REV: A/1

● Bin Code List

Luminous Intensity(IV), Unit:mcd@20mA		
Bin Code	Min	Max
V1	710	900
V2	900	1120
W1	1120	1400

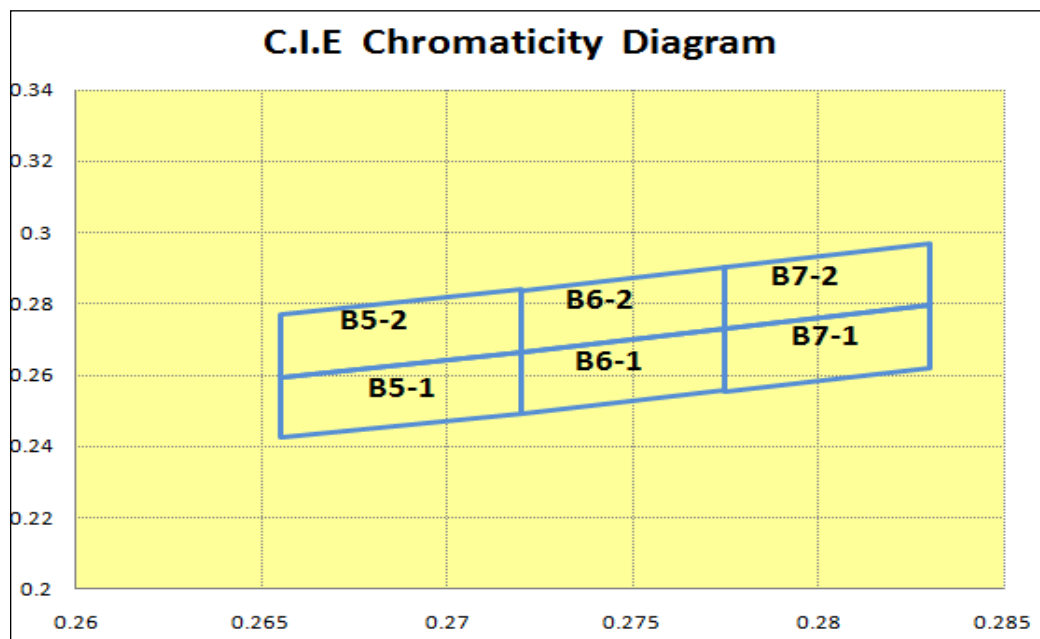
Tolerance of each bin are $\pm 15\%$

Forward Voltage(VF), Unit:V@20mA		
Bin Code	Min	Max
K7	2.65	2.80
K8	2.80	2.95
K9	2.95	3.10
K10	3.10	3.25

Tolerance of each bin are ± 0.1 Volt

Color Rank (CIE chromaticity X , Y) @ 20mA									
Rank B5-1					Rank B5-2				
X	0.2655	0.2655	0.272	0.272	X	0.2655	0.2655	0.272	0.272
Y	0.2425	0.2595	0.2665	0.249	Y	0.2595	0.277	0.284	0.2665
Rank B6-1					Rank B6-2				
X	0.272	0.2775	0.2775	0.272	X	0.272	0.2775	0.2775	0.272
Y	0.249	0.2555	0.273	0.2665	Y	0.284	0.2905	0.273	0.2665
Rank B7-1					Rank B7-2				
X	0.2775	0.283	0.283	0.2775	X	0.2775	0.283	0.283	0.2775
Y	0.2555	0.262	0.2795	0.273	Y	0.273	0.2795	0.297	0.2905

* Measurement of Color coordinates : ± 0.02



SURFACE MOUNT DEVICE LED

Part No. : L-C150WDT-SH3

REV: A/1

Notes:

1. Luminous intensity is measured with a light sensor and filter combination that proximates the CIE eye-response curve.
2. θ 1/2 is the off-axis angle at which the luminous intensity is half the axial luminous intensity.
3. Caution in ESD :
Static Electricity and surge damages the LED. It is recommended use a wrist band or anti-electrostatic glove when handling the LED. All devices, equipment and machinery must be properly grounded.
4. Major standard testing equipment by "Instrument System" Model : CAS140B Compact Array Spectrometer and "KEITHLEY" Source Meter Model : 2400.

● Typical Electro-Optical Characteristics Curves

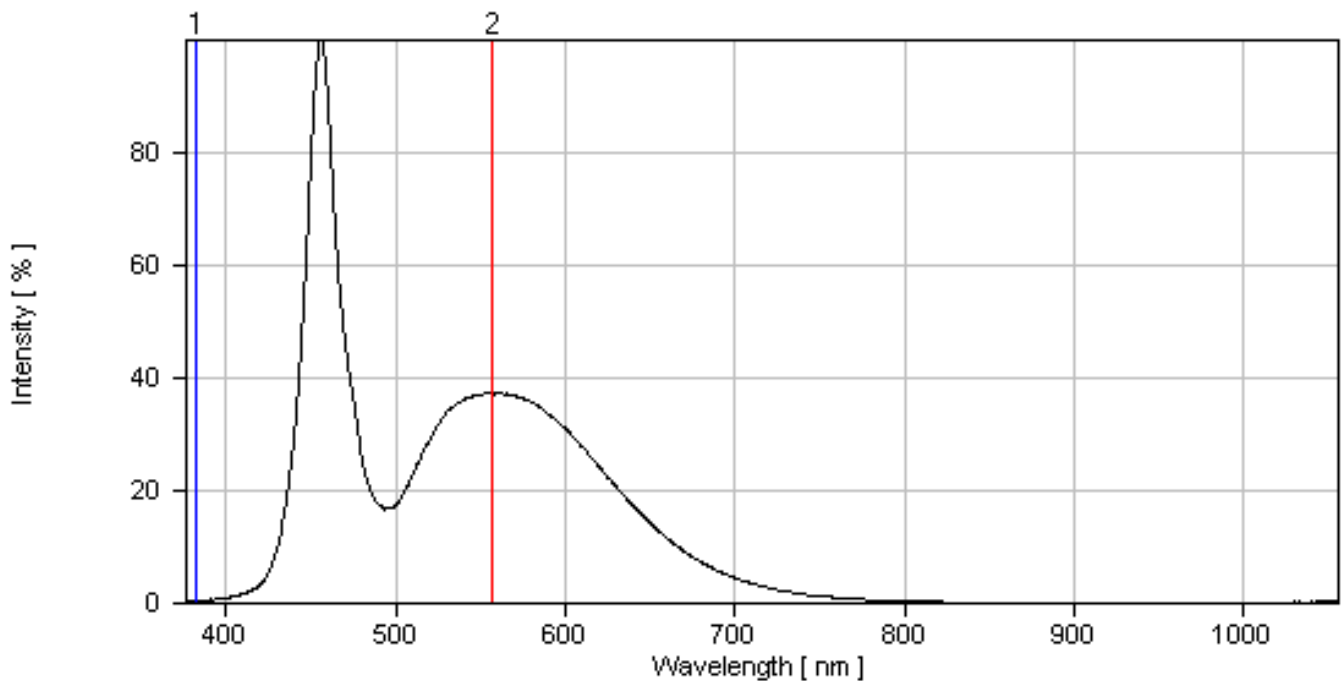


Fig.1 Relative Intensity vs. Wavelength

SURFACE MOUNT DEVICE LED

Part No. : L-C150WDT-SH3

REV: A/1

● Typical Electro-Optical Characteristics Curves

(25°C Ambient Temperature Unless Otherwise Noted)

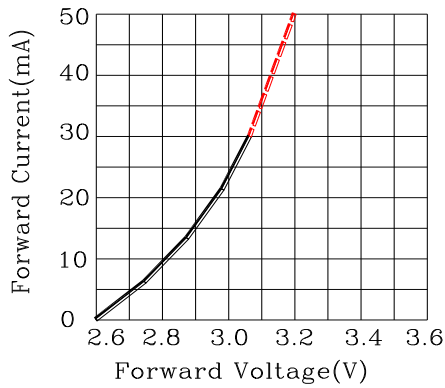


Fig.1 Forward Current vs. Forward Voltage

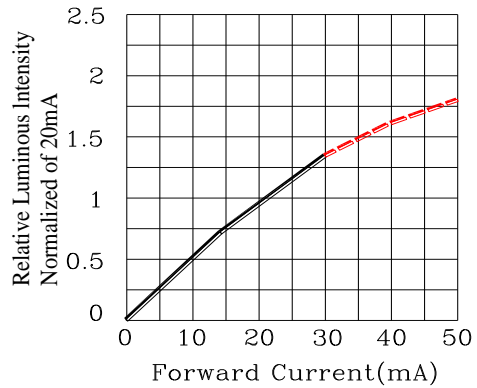


Fig.2 Relative Luminous Intensity vs. Forward Current

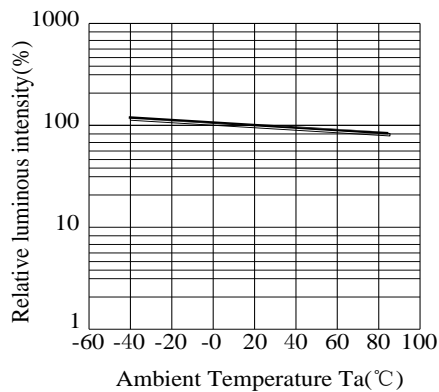


Fig.3 Luminous Intensity vs. Ambient Temperature

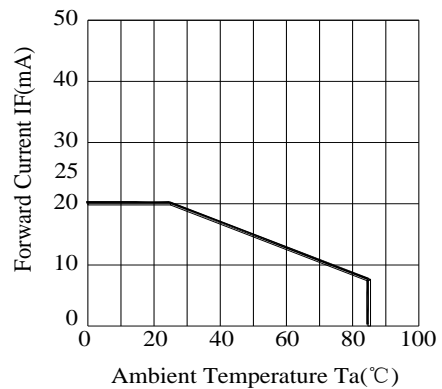


Fig.4 Forward Current Derating Curve

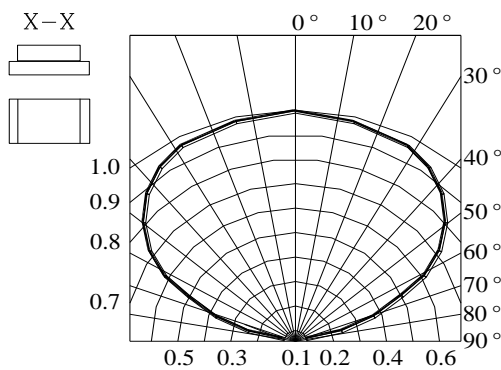


Fig.5 Relative Intensity vs. Angle

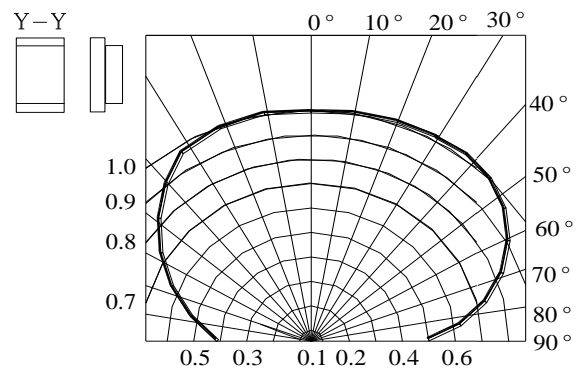


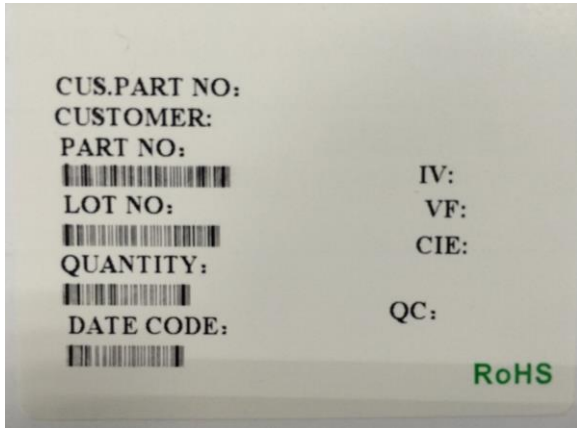
Fig.6 Relative Intensity vs. Angle

SURFACE MOUNT DEVICE LED

Part No. : L-C150WDT-SH3

REV: A/1

● Label Explanation



ITEM CODE:PARRA LIGHT

PART NO: L-C150WDT-SH3

IV --- Luminous Intensity Code

LOT NO: EM S L 12 09 0110
 A B C D E F

A---EM: Emos Code

B---S:SMD

L---Local

D---Year

E---Month

F---SPEC.

PACKING QUANTITY OF BAG :

3000pcs for 150、170、110、155、115 series

4000pcs for 191 series

5000pcs for 192 series

DATE CODE: 2012 09 10
 G H I

G--- Year

H--- Month

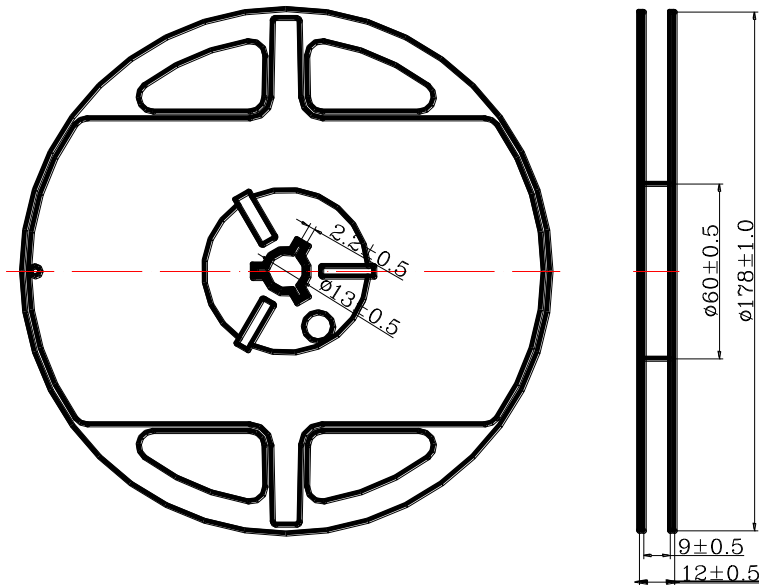
I --- Day

SURFACE MOUNT DEVICE LED

Part No. : L-C150WDT-SH3

REV: A/1

● Reel Dimensions



Notes:

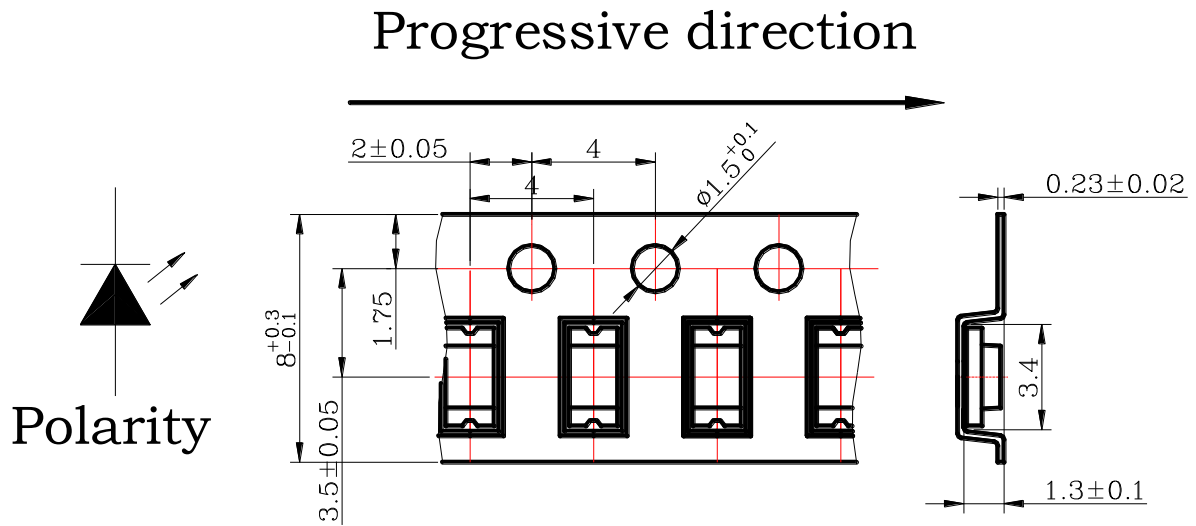
1. Taping Quantity : 3000pcs, (Minimum packing quantity will be 500 pcs for remainders)
2. The tolerances unless mentioned is ± 0.1 mm, Angle $\pm 0.5^\circ$, Unit : mm.

SURFACE MOUNT DEVICE LED

Part No. : L-C150WDT-SH3

REV: A/1

● Package Dimensions Of Tape And Reel



Notes: All dimensions are in millimeters.

SURFACE MOUNT DEVICE LED

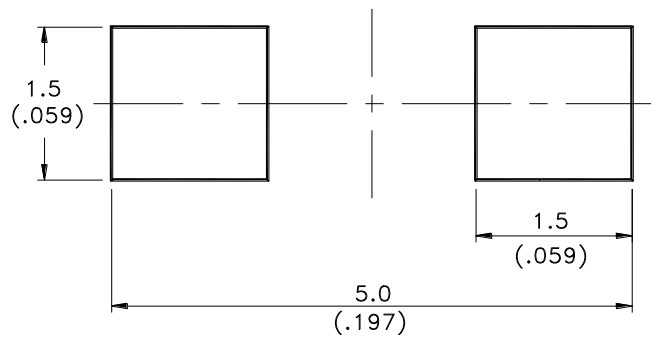
Part No. : L-C150WDT-SH3

REV: A/1

● Cleaning

- * If cleaning is required , use the following solutions for less than 1 minute and less than 40°C.
- * Appropriate chemicals: Ethyl alcohol and isopropyl alcohol.
- * Effect of ultrasonic cleaning on the LED resin body differs depending on such factors as the oscillator output, size of PCB and LED mounting method. The use of ultrasonic cleaning should be enforced at proper output after confirming there is no problem.

● Suggest Soldering Pad Dimensions



Direction of PWB camber

and go to reflow furnace

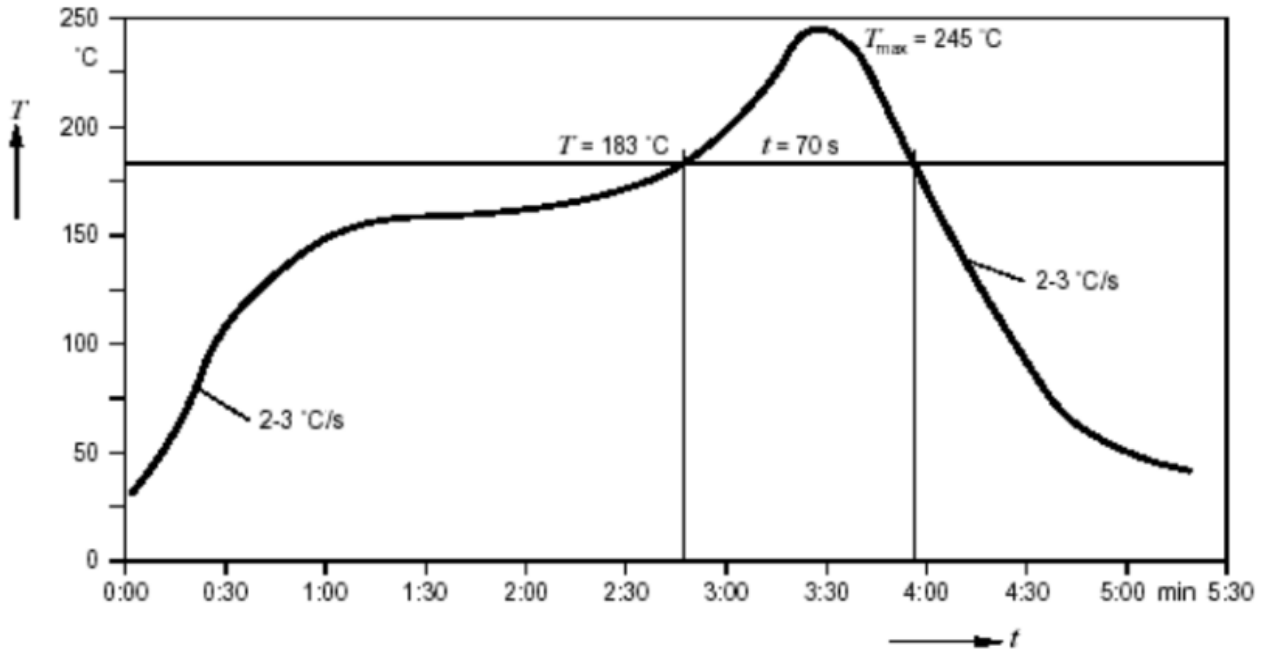
Notes : Suggest stencil print screen thickness are 0.10mm maximum.

SURFACE MOUNT DEVICE LED

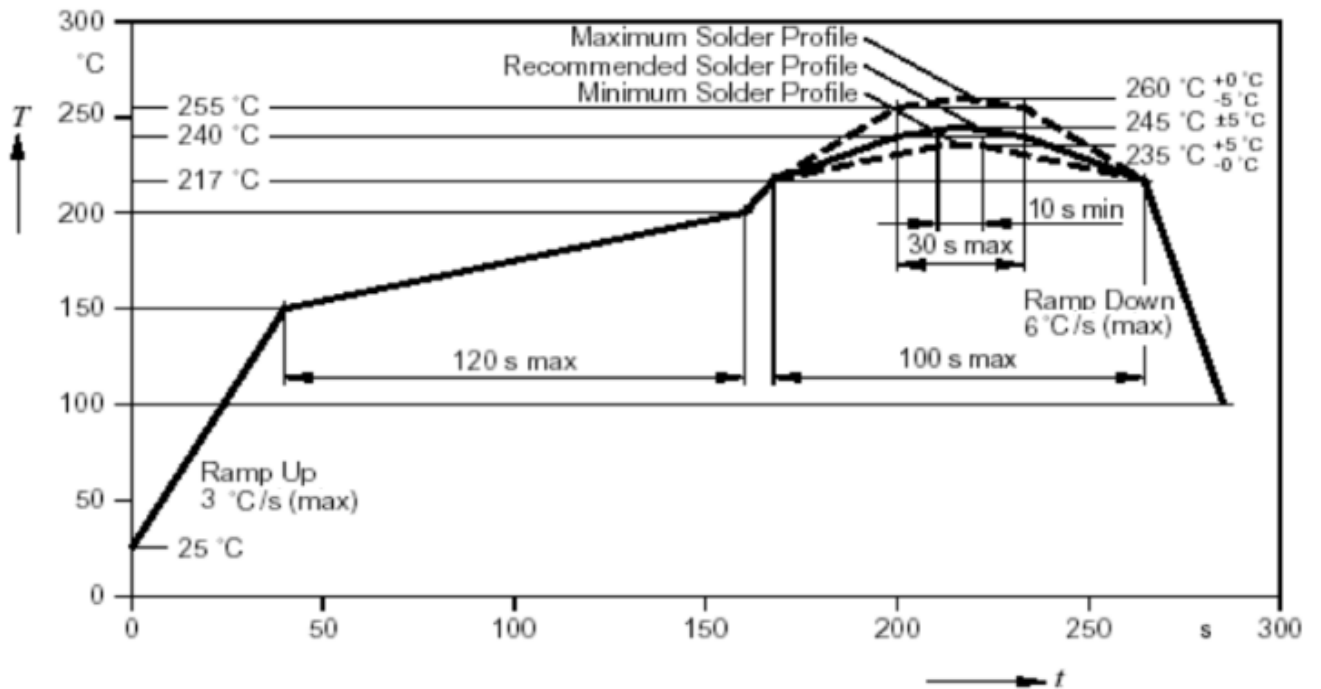
Part No. : L-C150WDT-SH3

REV: A/1

- Suggest Sn/Pb IR Reflow Soldering Profile Condition:



- Suggest Pb-Free IR Reflow Soldering Profile Condition:



SURFACE MOUNT DEVICE LED

Part No. : L-C150WDT-SH3

REV: A/1

● CAUTIONS

1.Application Limitation :

The LED's described here are intended to be used for ordinary electronic equipment(such as office equipment, communication equipment and household application).Consult PARA's sales in advance for information on application in which exceptional quality and reliability are required, particularly when the failure or malfunction of the LED's may directly jeopardize life or health (such as airplanes, automobiles, traffic control equipment, life support system and safety devices).

2.Storage :

Do not open moisture proof bag before the products are ready to use.

Before opening the package: The LEDs should be kept at 30°C or less and 90%RH or less.

If the moisture absorbent material (silica gel) has faded away or the LEDs have exceeded the storage time, baking treatment should be performed using the following conditions.

Baking treatment: 60±5°C for 24 hours

3.Soldering

Do not apply any stress to the lead frame during soldering while the LED is at high temperature.

Recommended soldering condition.

Reflow Soldering :

Pre-heat 120~150 °C, 120sec. MAX., Peak temperature : 240 °C Max. Soldering time : 10 sec Max.

Soldering Iron : (Not recommended)

Temperature 300 °C Max., Soldering time : 3 sec. Max.(one time only), power dissipation of iron : 20W Max. use SN60 solder of solder with silver content and don't to touch LED lens when soldering.

Wave soldering :

Pre-heat 100 °C Max, Pre-heat time 60 sec. Max, Solder wave 260 °C Max, Soldering time 5 sec. Max. performed consecutively cooling process is required between 1st and 2nd soldering processes.

SURFACE MOUNT DEVICE LED

Part No. : L-C150WDT-SH3

REV: A/1

4. Lead-Free Soldering

For Reflow Soldering :

- 1、 Pre-Heat Temp: 150-180°C,120sec.Max.
- 2、 Soldering Temp: Temperature Of Soldering Pot Over 230°C,40sec.Max.
- 3、 Peak Temperature: 260°C , 5sec.
- 4、 Reflow Repetition: 2 Times Max.
- 5、 Suggest Solder Paste Formula : 93.3 Sn/3.1 Ag/3.1 Bi/0.5 Cu

For Soldering Iron (Not Recommended) :

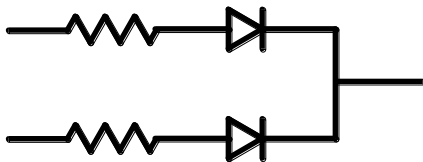
- 1、 Iron Tip Temp: 350°C Max.
- 2、 Soldering Iron: 30w Max.
- 3、 Soldering Time: 3 Sec. Max. One Time.

For Dip Soldering :

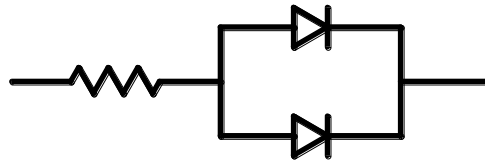
- 1、 Pre-Heat Temp: 150°C Max. 120 Sec. Max.
- 2、 Bath Temp: 265°C Max.
- 3、 Dip Time: 5 Sec. Max.

5. Drive Method

Circuit model A



Circuit model B



(A)Recommended circuit.

(B)The difference of brightness between LED`s could be found due to the Vf-If characteristics of LED.