

BC 53,6 UT HBUS BK - Mounting base housing



2896403

<https://www.phoenixcontact.com/in/products/2896403>

Please be informed that the data shown in this PDF document is generated from our Online Catalog. Please find the complete data in the user documentation. Our General Terms of Use for Downloads are valid.



DIN rail housing for use in distribution boards in accordance with DIN 43880, Lower housing part with base latch, width: 53.6 mm, height: 89.7 mm, depth: 48.9 mm, color: black (9005), cross connection: DIN rail connector (optional), number of positions cross connector: 16

Your advantages

- Coordinated housing and connection system for faster device development
- Individual online configuration for diverse applications in building automation
- Variety of connection technology
- Can be mounted on the DIN rail or the wall
- With DIN-rail-mountable bus connector and power connector system as an option
- Tool-free mounting
- Available in overall widths from one to nine HP (17.8 mm ... 161.6 mm)
- Compliant with DIN EN 43880

Commercial Data

Item number	2896403
Packing unit	10 pc
Minimum order quantity	10 pc
Sales Key	ACH
Product Key	ACHBAA
Catalog Page	Page 699 (C-1-2013)
GTIN	4046356103220
Weight per Piece (including packing)	38.15 g
Weight per Piece (excluding packing)	31.88 g
Customs tariff number	85389099
Country of origin	DE

BC 53,6 UT HBUS BK - Mounting base housing

2896403

<https://www.phoenixcontact.com/in/products/2896403>

Technical Data

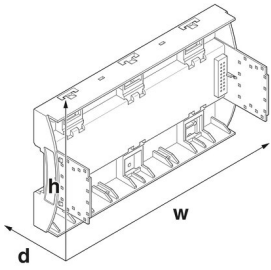
Notes

Assembly instruction:	Refer to the data sheet for the range in the download area.
-----------------------	---

Product properties

Product type	Lower part of the housing
Product family	BC UT HBUS
Type	Lower housing part with base latch
Housing type	DIN rail housing for use in distribution boards in accordance with DIN 43880
Ventilation openings present	no
Housing series	BC

Dimensions

Dimensional drawing	
Width	53.6 mm
Height	89.7 mm
Depth	48.9 mm
Horizontal pitch	3 Div.

PCB design

PCB thickness	1.4 mm ... 1.8 mm
---------------	-------------------

Material specifications

Color	black (9005)
Flammability rating according to UL 94	V0
CTI according to IEC 60112	< 400
Surface characteristics	untreated
Housing material	Polycarbonate

Environmental and real-life conditions

Power dissipation single housing for 20 °C

Ambient temperature	20 °C
Reduction factor	1
Mounting position	vertical
Power dissipation	7.21 W

BC 53,6 UT HBUS BK - Mounting base housing



2896403

<https://www.phoenixcontact.com/in/products/2896403>

Power dissipation single housing for 30 °C

Ambient temperature	30 °C
Reduction factor	0.84
Mounting position	vertical
Power dissipation	6.05 W

Power dissipation single housing for 40 °C

Ambient temperature	40 °C
Reduction factor	0.72
Mounting position	vertical
Power dissipation	0.72 W

Power dissipation single housing for 50 °C

Ambient temperature	50 °C
Reduction factor	0.6
Mounting position	vertical
Power dissipation	4.3 W

Power dissipation single housing for 60 °C

Ambient temperature	60 °C
Reduction factor	0.48
Mounting position	vertical
Power dissipation	3.45 W

Power dissipation single housing for 70 °C

Ambient temperature	70 °C
Reduction factor	0.38
Mounting position	vertical
Power dissipation	2.75 W

Vibration test

Specification	IEC 60068-2-6:2007-12
Frequency	10 - 150 - 10 Hz
Sweep speed	1 octave/min
Amplitude	0.15 mm (10 Hz ... 58.1 Hz)
Acceleration	2g (58.1 Hz ... 150 Hz)
Test duration per axis	2.5 h
Test directions	X-, Y- and Z-axis

Glow-wire test

Specification	IEC 60695-2-11:2014-02
Temperature	850 °C
Time of exposure	30 s

Mechanical strength / tumbling barrel

Specification	IEC 60068-2-31:2008-05
Height of fall	50 cm

BC 53,6 UT HBUS BK - Mounting base housing



2896403

<https://www.phoenixcontact.com/in/products/2896403>

Frequency	50
-----------	----

Shocks

Specification	IEC 60068-2-27:2008-02
Pulse shape	Half-sine
Acceleration	15g
Shock duration	11 ms
Number of shocks per direction	3
Test directions	X-, Y- and Z-axis (pos. and neg.)

Degree of protection (IP code)

Specification	IEC 60529:1989-11 + AMD 1:1999-11 + AMD 2:2013-08
---------------	---

Ambient conditions

Max. IP code to attain	IP20
Ambient temperature (operation)	-40 °C ... 105 °C (depending on power dissipation)
Ambient temperature (storage/transport)	-40 °C ... 70 °C
Ambient temperature (assembly)	-5 °C ... 100 °C
Relative humidity (storage/transport)	95 %

PCB data

Number of PCB holders	9
Type of PCB mount	Latching
Thickness of the PCB	1.4 mm ... 1.8 mm

Mounting

Mounting type	DIN rail mounting/wall mounting
Mounting position	Vertical (horizontal DIN rail)

Packaging specifications

Type of packaging	packed in cardboard
Outer packaging type	Carton

BC 53,6 UT HBUS BK - Mounting base housing

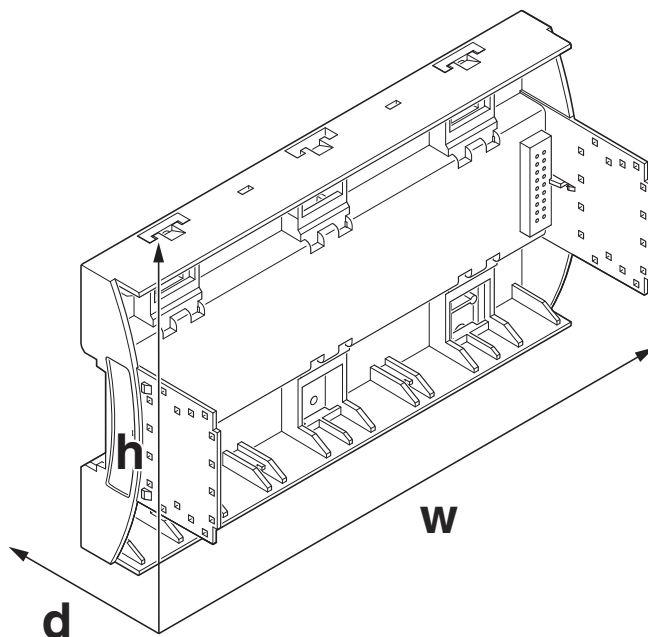
2896403

<https://www.phoenixcontact.com/in/products/2896403>



Drawings

Dimensional drawing



Schematic figure for illustrating the item dimensions. The figure is not of the desired product. For further details, refer to the product drawings in the "Downloads" tab.

BC 53,6 UT HBUS BK - Mounting base housing



2896403

<https://www.phoenixcontact.com/in/products/2896403>

Approvals



EAC

Approval ID: B.01687



UL Recognized

Approval ID: FILE E 240868

BC 53,6 UT HBUS BK - Mounting base housing



2896403

<https://www.phoenixcontact.com/in/products/2896403>

Classifications

ECLASS

ECLASS-11.0

27182702

ETIM

ETIM 8.0

EC001031

UNSPSC

UNSPSC 21.0

31261500

BC 53,6 UT HBUS BK - Mounting base housing



2896403

<https://www.phoenixcontact.com/in/products/2896403>

Environmental Product Compliance

China RoHS	Environmentally friendly use period: unlimited = EFUP-e
	No hazardous substances above threshold values

BC 53,6 UT HBUS BK - Mounting base housing



2896403

<https://www.phoenixcontact.com/in/products/2896403>

Mandatory Accessories

BC 53,6 OT U11 KMGY - Upper part of housing

2896416

<https://www.phoenixcontact.com/in/products/2896416>



DIN rail housing for use in distribution boards in accordance with DIN 43880, Upper housing part (U11) with vents, Installation depth connection technology: 11.1 mm, width: 53.6 mm, height: 89.7 mm, depth: 49.78 mm, color: light grey (7035)

BC 53,6 OT U22 KMGY - Upper part of housing

2896429

<https://www.phoenixcontact.com/in/products/2896429>



DIN rail housing for use in distribution boards in accordance with DIN 43880, Upper housing part (U22) with vents, Installation depth connection technology: 22.35 mm, width: 53.6 mm, height: 89.7 mm, depth: 49.78 mm, color: light grey (7035)

BC 53,6 UT HBUS BK - Mounting base housing

2896403

<https://www.phoenixcontact.com/in/products/2896403>

BC 53,6 OT U11 BK VPE240 - Upper part of housing

1006941

<https://www.phoenixcontact.com/in/products/1006941>



DIN rail housing for use in distribution boards in accordance with DIN 43880, Upper housing part (U11) with vents, Installation depth connection technology: 11.1 mm, width: 53.6 mm, height: 89.7 mm, depth: 49.78 mm, color: black (9005)

BC 53,6 OT U22 BK 9005 - Upper part of housing

2202193

<https://www.phoenixcontact.com/in/products/2202193>



DIN rail housing for use in distribution boards in accordance with DIN 43880, Upper housing part (U22) with vents, Installation depth connection technology: 22.35 mm, width: 53.6 mm, height: 89.7 mm, depth: 49.78 mm, color: black (9005)

BC 53,6 UT HBUS BK - Mounting base housing

2896403

<https://www.phoenixcontact.com/in/products/2896403>

BC 53,6 OT U11 BK - Upper part of housing

2201607

<https://www.phoenixcontact.com/in/products/2201607>



DIN rail housing for use in distribution boards in accordance with DIN 43880, Upper housing part (U11) with vents, Installation depth connection technology: 11.1 mm, width: 53.6 mm, height: 89.7 mm, depth: 49.78 mm, color: black (9005)

Accessories

FUSSRIEGEL 14,4 L30 SPERR OG - Base latch

2896998

<https://www.phoenixcontact.com/in/products/2896998>



DIN rail housing for use in distribution boards in accordance with DIN 43880, Base latch, width: 14.4 mm, height: 29.8 mm, depth: 5.9 mm, color: orange (2003)

BC 53,6 UT HBUS BK - Mounting base housing

2896403

<https://www.phoenixcontact.com/in/products/2896403>

HBUS 53,6-16P-1S BK - DIN rail bus connectors

2896458

<https://www.phoenixcontact.com/in/products/2896458>



DIN rail connector, color: black, nominal current: 3 A (Total current of 25 A max.), rated voltage (III/2): 30 V, number of positions: 16, pitch: 2.54 mm, mounting: DIN rail mounting, locking: without

PSTD 0,65X0,65/9-2,54 - Pin strip

2200700

<https://www.phoenixcontact.com/in/products/2200700>



Pin strip, color: black, type of contact: Pin, number of potentials: 18, number of rows: 2, number of positions: 18, number of connections: 18, product range: PSTD 0,65X0,65/..-V, pitch: 2.54 mm, mounting: THR soldering, pin layout: Linear pinning, solder pin [P]: 2.5 mm, locking: without, type of packaging: packed in cardboard

BC 53,6 UT HBUS BK - Mounting base housing

2896403

<https://www.phoenixcontact.com/in/products/2896403>



HBUS8 53,6-8P-1S BK - DIN rail bus connectors

1249064

<https://www.phoenixcontact.com/in/products/1249064>



DIN rail connector, color: black, nominal current: 3 A (per contact), rated voltage (III/2): 100 V, number of positions: 8, pitch: 2.54 mm, mounting: DIN rail mounting, locking: without

Phoenix Contact 2023 © - all rights reserved

<https://www.phoenixcontact.com>

PHOENIX CONTACT (I) Pvt. Ltd.

A-58/2, Okhla Industrial Area, Phase - II, New Delhi-110 020

+91.1275.71420

info@phoenixcontact.co.in