

VS-M12MSD/ 5,0-93X OD - Network cable



1454215

<https://www.phoenixcontact.com/in/products/1454215>

Please be informed that the data shown in this PDF document is generated from our Online Catalog. Please find the complete data in the user documentation. Our General Terms of Use for Downloads are valid.



Network cable, Ethernet CAT5 (100 Mbps), PROFINET CAT5 (100 Mbps), 4-position halogen-free, shielded, Plug straight M12 / IP69K, coding: D, on free cable end, cable length: 5 m, for outdoor applications, with high-grade steel knurl

Commercial Data

Item number	1454215
Packing unit	1 pc
Minimum order quantity	1 pc
Sales Key	BF1
Product Key	BF1CJN
Catalog Page	Page 159 (C-4-2013)
GTIN	4046356568821
Weight per Piece (including packing)	399 g
Weight per Piece (excluding packing)	399 g
Customs tariff number	85444210
Country of origin	PL

1454215

<https://www.phoenixcontact.com/in/products/1454215>

Technical Data

Product properties

Product type	Data cable preassembled
Number of positions	4
Application	External areas
No. of cable outlets	1
Shielded	yes
Coding	D

Insulation characteristics

Degree of pollution	3
---------------------	---

Interfaces

Bus system	PROFINET
	Ethernet
Signal type/category	Ethernet CAT5 (IEC 11801), 100 Mbps
	PROFINET CAT5 (IEC 11801), 100 Mbps

Signaling

Status display	No
Status display present	No

Electrical properties

Nominal voltage U_N	48 V AC
	60 V DC
Nominal current I_N	4 A
Transmission medium	Copper

Mechanical properties

Mechanical data

Insertion/withdrawal cycles	≥ 100
-----------------------------	------------

Material specifications

Color	black
Flammability rating according to UL 94	V0

Connector

Connection 1

Type	Plug straight M12 / IP69K
Number of positions	4 (4)
Coding type	D (Data)
Shielded	yes

VS-M12MSD/ 5,0-93X OD - Network cable



1454215

<https://www.phoenixcontact.com/in/products/1454215>

Handle color	black
Material	CuZn (Contact)
	Ni/Au (Contact surface)
	PA (Contact carriers)
	TPU, hardly inflammable, self-extinguishing (Grip)
	Zinc die-cast, nickel-plated (Screw connection)
	FPM
Degree of protection	IP69K

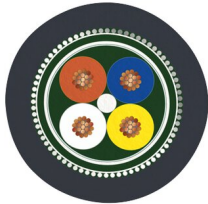
Connection 2

Type	free cable end
Number of positions	4

Cable/line

Cable length	5 m
--------------	-----

PROFINET outdoors [93X]

Dimensional drawing	
Cable weight	81 g/m
Shielded	yes
Cable type	PROFINET outdoors [93X]
Conductor structure	1x4xAWG22/7; SF/TQ
Signal speed	66 c
Conductor structure signal line	7x 0.25 mm
AWG signal line	22
Conductor cross section	4x 0.34 mm ²
Wire diameter incl. insulation	1.95 mm
External cable diameter	7.25 mm ±0.3 mm
Outer sheath, material	PE-X
External sheath, color	black RAL 9005
Conductor material	silver-plated Cu litz wires
Material wire insulation	PE-X
Single wire, color	white-blue, orange-yellow
Thickness, outer sheath	≥ 0.8 mm
Overall twist	Star quad
Optical shield covering	100 %
Max. conductor resistance	≤ 54.4 Ω/km
Coupling resistance	200.00 mΩ/m (f ≤ 30 MHz)

VS-M12MSD/ 5,0-93X OD - Network cable



1454215

<https://www.phoenixcontact.com/in/products/1454215>

Wave impedance	100 Ω ±5 Ω (f = 100 MHz)
Working capacitance	≤ 65 pF (core-core)
	≤ 100 pF (core-shield)
Nominal voltage, cable	300 V AC
Test voltage	2000 V AC (50 Hz, 5 minutes)
Minimum bending radius, fixed installation	6 x D
Minimum bending radius, flexible installation	10 x D
Shield attenuation	40 dB (30 MHz ≤ f ≤ 100 MHz)
Halogen-free	in accordance with EN 50267-2-1
Flame resistance	EN 60332-1-2
	EN 50266
	EN 60332-3-25
	NF C32-070, 2.1
	NF C32-070, 2.2
	UL 1685, 12 (FT4)
	in accordance with ISO 6722-1 5.22 (UN ECE-R 118.01)
Fume corrosiveness	EN 50267-2-2
Fume toxicity	BS 6853 B.1
	EN 50305, 9.2
Concentration of fumes	BS 6853 D.8.7
	EN 61034-2
	UL 1685, 12 (FT4)
Resistance to oil	according to IRM 902, 72 h at 100 °C
Fire protection in rail vehicles	BS 6853 (Category Ia, Ib, II)
	GM/RT 2130 (Category Ia, Ib, II)
	EN 45545 (Risk level HL1 - HL3)
	DIN 5510 (Fire protection level 1, 2, 3, 4)
	NF F16-101 (Category A1, A2, B)
	NF F16-101 (Class C/F0)
	NFPA 130
UNI CEI 11170 (Risk level LR1 - LR4)	
Other resistance	Resistance to fuels according to IRM 903, 168 h at 70 °C
Ambient temperature (operation)	-50 °C ... 90 °C (cable, fixed installation)
	-40 °C ... 90 °C (Cable, flexible installation)

Environmental and real-life conditions

Ambient conditions

Degree of protection	IP65
	IP67
	IP68
	IP69K
Ambient temperature (operation)	-40 °C ... 105 °C
	-40 °C ... 90 °C (cable, fixed installation)

VS-M12MSD/ 5,0-93X OD - Network cable



1454215

<https://www.phoenixcontact.com/in/products/1454215>

	-25 °C ... 90 °C (Cable, flexible installation)
	-40 °C ... 85 °C (On sudden changes in temperature (according to IEC 60512-11-4))

Standards and regulations

Standards/specifications	IEC 61076-2-101
--------------------------	-----------------

VS-M12MSD/ 5,0-93X OD - Network cable

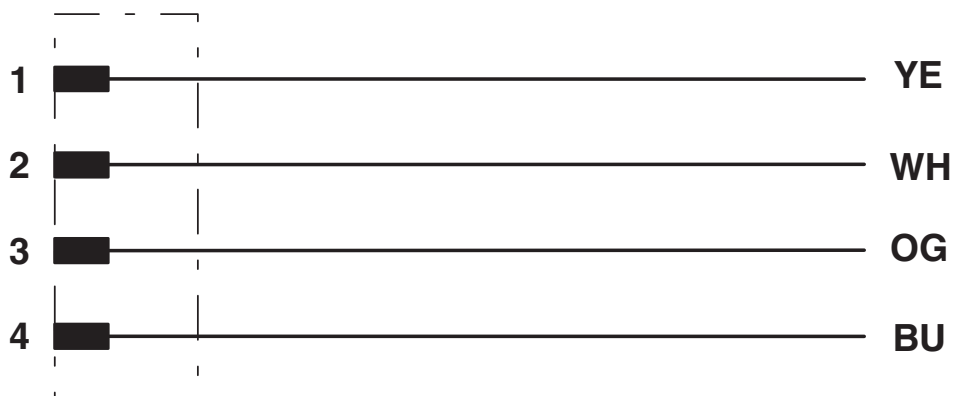


1454215

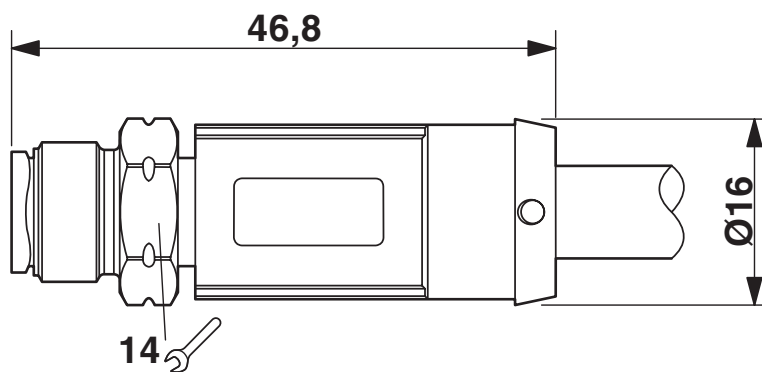
<https://www.phoenixcontact.com/in/products/1454215>

Drawings

Circuit diagram



Dimensional drawing



Plug, M12 x 1, straight, shielded

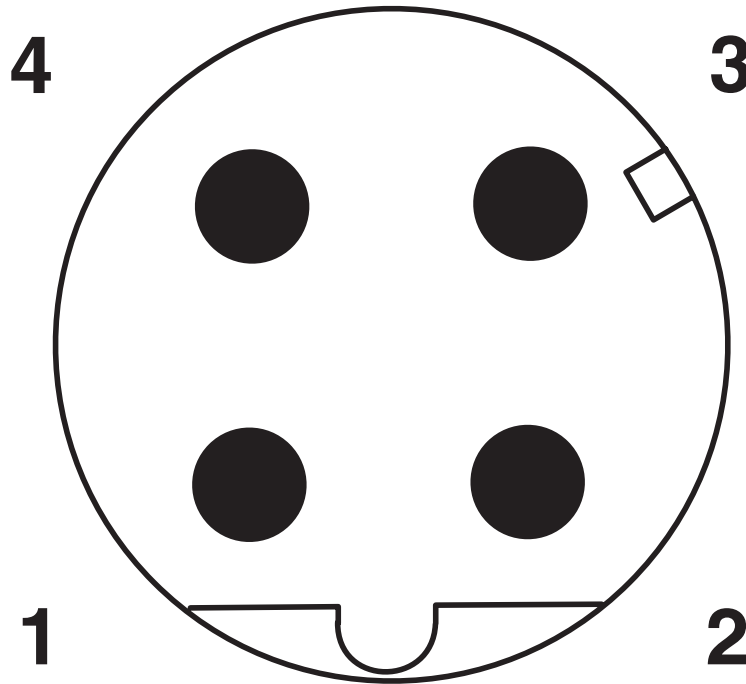
VS-M12MSD/ 5,0-93X OD - Network cable

1454215

<https://www.phoenixcontact.com/in/products/1454215>



Schematic diagram



Pin assignment M12 male connector, 4-pos., D-coded, male side

VS-M12MSD/ 5,0-93X OD - Network cable



1454215

<https://www.phoenixcontact.com/in/products/1454215>

Approvals



EAC

Approval ID: RU C-DE.BL08.B.00286



EAC

Approval ID: RU D-DE.HB35.B.00385

VS-M12MSD/ 5,0-93X OD - Network cable



1454215

<https://www.phoenixcontact.com/in/products/1454215>

Classifications

ECLASS

ECLASS-11.0	27060307
ECLASS-12.0	27060307
ECLASS-13.0	27060307

ETIM

ETIM 8.0	EC001855
----------	----------

UNSPSC

UNSPSC 21.0	26121600
-------------	----------

VS-M12MSD/ 5,0-93X OD - Network cable



1454215

<https://www.phoenixcontact.com/in/products/1454215>

Environmental Product Compliance

China RoHS	Environmentally friendly use period: unlimited = EFUP-e
	No hazardous substances above threshold values

VS-M12MSD/ 5,0-93X OD - Network cable

1454215

<https://www.phoenixcontact.com/in/products/1454215>

Accessories

TSD 04 SAC - Torque screwdriver

1208429

<https://www.phoenixcontact.com/in/products/1208429>



Torque screwdriver, with preset torque of 0.4 Nm and 4 mm hexagonal drive for M12 connectors

TSD-M 1,2NM - Torque screwdriver

1212224

<https://www.phoenixcontact.com/in/products/1212224>



Torque screw driver, accuracy as per EN ISO 6789 standard, adjustable from 0.3 - 1.2 Nm

VS-M12MSD/ 5,0-93X OD - Network cable

1454215

<https://www.phoenixcontact.com/in/products/1454215>



TSD-M SAC-BIT ADAPTER - Adapter insert

1212600

<https://www.phoenixcontact.com/in/products/1212600>



Adapter bit for TSD-M...torque tools, E6.3-1/4" drive with 4 mm hexagon to accommodate SAC bits

SAC BIT M12-W14 - Tool

1212513

<https://www.phoenixcontact.com/in/products/1212513>



Nut for assembling sensor/actuator cables with M12 connector and M12 connectors for assembly, with a hexagonal knurl wrench size of 14 mm, with 4 mm hexagonal drive

Phoenix Contact 2023 © - all rights reserved
<https://www.phoenixcontact.com>

PHOENIX CONTACT (I) Pvt. Ltd.
A-58/2, Okhla Industrial Area, Phase - II, New Delhi-110 020

+91.1275.71420
info@phoenixcontact.co.in