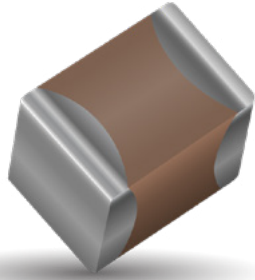


High Voltage MLC Chips

For 600V to 5000V Applications



High value, low leakage and small size are difficult parameters to obtain in capacitors for high voltage systems. KYOCERA AVX special high voltage MLC chip capacitors meet these performance characteristics and are designed for applications such as snubbers in high frequency power converters, resonators in SMPS, and high voltage coupling/dc blocking. These high voltage chip designs exhibit low ESRs at high frequencies.

Larger physical sizes than normally encountered chips are used to make high voltage MLC chip products. Special precautions must be taken in applying these chips in surface mount assemblies. The temperature gradient during heating or cooling cycles should not exceed 4°C per second. The preheat temperature must be within 50°C of the peak temperature reached by the ceramic bodies through the soldering process. Chip sizes 1210 and larger should be reflow soldered only. Capacitors may require protective surface coating to prevent external arcing.

For 1825, 2225 and 3640 sizes, KYOCERA AVX offers leaded version in either thru-hole or SMT configurations (for details see section on high voltage leaded MLC chips)

NEW 630V RANGE

HOW TO ORDER

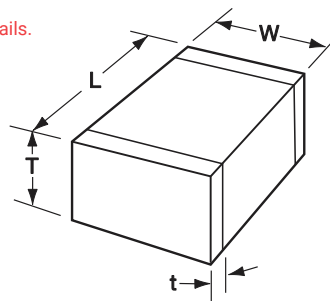
| 1808 | A | A | 271 | M | A | T | 2 | A |
|---|--|--------------------------------|--|---|-------------------|---------------------------------------|-------------------------------|---------------------|
| Style | Voltage | Temperature Coefficient | Capacitance Code | Capacitance Tolerance | Test Level | Termination* | Packaging | Special Code |
| 0805 1206 1210 1808 1812 1825 2220 2225 3640 *** | C = 600V/630V A = 1000V S = 1500V G = 2000V W = 2500V H = 3000V J = 4000V K = 5000V | A = NPO (C0G) C = X7R | (2 significant digits + no. of zeros) Examples: 10 pF = 100 100 pF = 101 1,000 pF = 102 22,000 pF = 223 220,000 pF = 224 1 μF = 105 | C0G: J = ±5% K = ±10% M = ±20% X7R: K = ±10% M = ±20% Z = +80%, -20% | A = Standard | T = Plated Ni and Sn (RoHS Compliant) | 2 = 7" Reel** 4 = 13" Reel | A = Standard |

Notes:

- Capacitors with X7R dielectrics are not intended for applications across AC supply mains or AC line filtering with polarity reversal. Contact plant for recommendations. Contact factory for availability of Termination and Tolerance options for Specific Part Numbers.
- *Terminations with 5% minimum lead (Pb) is available, see pages 100 and 101 for LD style. Leaded terminations are available, see pages 102-106.

**The 3640 Style is not available on 7" Reels.

*** KYOCERA AVX offers nonstandard chip sizes. Contact factory for details.



DIMENSIONS: millimeters (inches)

| SIZE | 0805 | 1206 | 1210* | 1808* | 1812* | 1825* | 2220* | 2225* | 3640* |
|------------------------|--------------------------------|--------------------------------|--------------------------------|--------------------------------|--------------------------------|--------------------------------|--------------------------------|--------------------------------|--------------------------------|
| (L) Length | 2.10 ± 0.20 (0.083 ± 0.008) | 3.30 ± 0.30 (0.130 ± 0.012) | 3.30 ± 0.40 (0.130 ± 0.016) | 4.60 ± 0.50 (0.181 ± 0.020) | 4.60 ± 0.50 (0.181 ± 0.020) | 4.60 ± 0.50 (0.181 ± 0.020) | 5.70 ± 0.50 (0.224 ± 0.020) | 5.70 ± 0.50 (0.224 ± 0.020) | 9.14 ± 0.25 (0.360 ± 0.010) |
| (W) Width | 1.25 ± 0.20 (0.049 ± 0.008) | 1.60 ± 0.20 (0.063 ± 0.008) | 2.50 ± 0.30 (0.098 ± 0.012) | 2.00 ± 0.20 (0.079 ± 0.008) | 3.20 ± 0.30 (0.126 ± 0.012) | 6.30 ± 0.40 (0.248 ± 0.016) | 5.00 ± 0.40 (0.197 ± 0.016) | 6.30 ± 0.40 (0.248 ± 0.016) | 10.2 ± 0.25 (0.400 ± 0.010) |
| (t) terminal min. max. | 0.50 ± 0.20 (0.020 ± 0.008) | 0.60 ± 0.20 (0.024 ± 0.008) | 0.75 ± 0.35 (0.030 ± 0.014) | 0.75 ± 0.35 (0.030 ± 0.014) | 0.75 ± 0.35 (0.030 ± 0.014) | 0.75 ± 0.35 (0.030 ± 0.014) | 0.85 ± 0.35 (0.033 ± 0.014) | 0.85 ± 0.35 (0.033 ± 0.014) | 0.76 (0.030) 1.52 (0.060) |

*Reflow Soldering Only

High Voltage MLC Chips

For 600V to 5000V Applications



NP0 (C0G) CAPACITANCE RANGE – PREFERRED SIZES ARE SHADED

| Case Size | 1825 | | | | | | | | | | 2220 | | | | | | | | | | 2225 | | | | | | | | | | 3640 | | | | | | | | | | | | | | | | | |
|--------------|--------------------------------|-----|------|------|------|------|------|------|-------|-----|--------------------------------|------|------|------|------|------|------|-------|-----|------|--------------------------------|------|------|------|------|------|-----|-----|------|------|--------------------------------|------|------|------|------|---|---|---|---|---|---|---|--|--|--|--|--|--|
| Soldering | Reflow Only | | | | | | | | | | Reflow Only | | | | | | | | | | Reflow Only | | | | | | | | | | Reflow Only | | | | | | | | | | | | | | | | | |
| (L) Length | 4.60 ± 0.50 (0.181 ± 0.020) | | | | | | | | | | 5.70 ± 0.50 (0.224 ± 0.020) | | | | | | | | | | 5.70 ± 0.50 (0.224 ± 0.020) | | | | | | | | | | 9.14 ± 0.25 (0.360 ± 0.010) | | | | | | | | | | | | | | | | | |
| (W) Width | 6.30 ± 0.40 (0.248 ± 0.016) | | | | | | | | | | 5.00 ± 0.40 (0.197 ± 0.016) | | | | | | | | | | 6.30 ± 0.40 (0.248 ± 0.016) | | | | | | | | | | 10.2 ± 0.25 (0.400 ± 0.010) | | | | | | | | | | | | | | | | | |
| (t) Terminal | 0.75 ± 0.35 (0.030 ± 0.014) | | | | | | | | | | 0.85 ± 0.35 (0.033 ± 0.014) | | | | | | | | | | 0.85 ± 0.35 (0.033 ± 0.014) | | | | | | | | | | 0.76 (0.030) 1.52 (0.060) | | | | | | | | | | | | | | | | | |
| Voltage (V) | 600 | 630 | 1000 | 1500 | 2000 | 2500 | 3000 | 4000 | 600 | 630 | 1000 | 1500 | 2000 | 2500 | 3000 | 4000 | 5000 | 600 | 630 | 1000 | 1500 | 2000 | 2500 | 3000 | 4000 | 5000 | 600 | 630 | 1000 | 1500 | 2000 | 2500 | 3000 | 4000 | 5000 | | | | | | | | | | | | | |
| Cap (pF) | 1.5 | 1R5 | | | | | | | 1.8 | 1R8 | | | | | | | | 2.2 | 2R2 | | | | | | | | 2.7 | 2R7 | | | | | | | | | | | | | | | | | | | | |
| 3.3 | 3R3 | | | | | | | | 3.9 | 3R9 | | | | | | | | 4.7 | 4R7 | | | | | | | | 5.6 | 5R6 | | | | | | | | | | | | | | | | | | | | |
| 6.8 | 6R8 | | | | | | | | 8.2 | 8R2 | | | | | | | | 10 | 100 | E | E | G | E | F | E | F | F | F | E | E | E | E | E | E | E | E | E | F | F | | | | | | | | | |
| 12 | 120 | E | E | G | E | F | E | F | F | F | E | E | E | E | E | E | E | 15 | 150 | E | E | G | E | F | E | F | F | F | E | E | E | E | E | E | E | E | E | E | E | E | F | F | | | | | | |
| 18 | 180 | E | E | G | E | F | E | F | F | F | E | E | E | E | E | E | E | 22 | 220 | E | E | G | E | F | E | F | F | F | E | E | E | E | E | E | E | E | E | E | E | E | F | F | | | | | | |
| 27 | 270 | E | E | G | E | F | E | F | F | F | E | E | E | E | E | E | E | 33 | 330 | E | E | G | E | F | E | F | F | F | E | E | E | E | E | E | E | E | E | E | E | E | F | F | | | | | | |
| 39 | 390 | E | E | G | E | F | E | F | F | F | E | E | E | E | E | E | E | 47 | 470 | E | E | G | E | F | E | F | F | F | E | E | E | E | E | E | E | E | E | E | E | E | F | G | | | | | | |
| 56 | 560 | E | E | G | E | F | E | F | F | F | E | E | E | E | E | E | E | 68 | 680 | E | E | G | E | F | E | F | F | F | E | E | E | E | E | E | E | E | E | E | E | E | F | G | | | | | | |
| 82 | 820 | E | E | G | E | F | E | F | F | F | E | E | E | E | E | E | E | 100 | 101 | E | E | G | E | F | E | F | F | F | E | E | E | E | E | E | E | E | E | E | E | E | G | G | | | | | | |
| 120 | 121 | E | E | G | E | F | E | F | F | F | E | E | E | E | E | E | E | 150 | 151 | E | E | G | E | F | E | F | F | F | E | E | E | E | E | E | E | E | E | E | E | E | G | G | | | | | | |
| 180 | 181 | E | E | G | E | F | E | F | F | F | E | E | E | E | E | E | E | 220 | 221 | E | E | G | E | F | E | F | F | F | E | E | E | E | E | E | E | E | E | E | E | E | G | G | | | | | | |
| 270 | 271 | E | E | G | E | F | E | F | F | F | E | E | E | E | E | E | E | 330 | 331 | E | E | G | E | F | E | F | F | F | E | E | E | E | E | E | E | E | E | E | E | E | G | G | | | | | | |
| 390 | 391 | E | E | G | E | F | E | F | F | F | E | E | E | E | E | E | E | 470 | 471 | E | E | G | E | F | E | F | F | F | E | E | E | E | E | E | E | E | E | E | E | E | G | G | | | | | | |
| 560 | 561 | E | E | G | E | F | E | F | F | F | E | E | E | E | E | E | E | 680 | 681 | E | E | G | E | F | E | F | F | F | E | E | E | E | E | E | E | E | E | E | E | E | G | G | | | | | | |
| 750 | 751 | E | E | G | E | F | E | F | F | F | E | E | E | E | E | E | E | 820 | 821 | E | E | G | E | F | E | F | F | F | E | E | E | E | E | E | E | E | E | E | E | E | G | G | | | | | | |
| 1000 | 102 | E | E | G | E | F | E | F | F | F | E | E | E | E | E | E | E | 1200 | 122 | E | E | G | E | F | E | F | F | F | E | E | E | E | E | E | E | E | E | E | E | E | G | G | | | | | | |
| 1500 | 152 | E | E | G | F | G | G | G | E | E | E | F | F | G | G | E | E | 1800 | 182 | E | E | G | F | G | G | G | E | E | E | F | F | G | G | E | E | E | E | E | E | E | G | G | | | | | | |
| 2200 | 222 | E | E | G | G | G | G | G | E | E | E | G | G | E | E | E | E | 2700 | 272 | E | E | G | G | G | G | G | E | E | E | G | G | E | E | E | E | E | E | E | E | E | G | G | | | | | | |
| 3300 | 332 | E | E | G | G | G | G | E | E | E | G | G | E | E | E | E | E | 3900 | 392 | E | E | G | G | G | G | E | E | E | G | G | E | E | E | E | E | E | E | E | E | E | G | G | | | | | | |
| 4700 | 472 | E | E | G | G | G | G | E | E | E | G | G | F | F | F | G | G | 5600 | 562 | F | F | G | G | G | F | F | F | G | G | G | G | G | G | G | G | G | G | G | G | G | G | | | | | | | |
| 6800 | 682 | F | F | G | G | G | F | F | F | F | G | G | F | F | F | G | G | 8200 | 822 | F | F | G | G | G | G | G | G | G | G | G | G | G | G | G | G | G | G | G | G | G | G | G | | | | | | |
| Cap (µF) | 0.010 | 103 | F | F | G | | | | 0.012 | 123 | F | F | G | | | | | 0.015 | 153 | F | F | | | | | | | | | | 0.018 | 183 | F | F | | | | | | | | | | | | | | |
| 0.022 | 223 | F | F | | | | | | | | | | | | | | | 0.027 | 273 | F | F | | | | | | | | | | | | | | | | | | | | | | | | | | | |
| 0.033 | 333 | F | F | | | | | | | | | | | | | | | 0.039 | 393 | G | G | | | | | | | | | | | | | | | | | | | | | | | | | | | |
| 0.047 | 473 | G | G | | | | | | | | | | | | | | | 0.056 | 563 | G | G | | | | | | | | | | | | | | | | | | | | | | | | | | | |
| 0.068 | 683 | G | G | | | | | | | | | | | | | | | 0.100 | 104 | | | | | | | | | | | | | | | | | | | | | | | | | | | | | |
| Voltage (V) | 600 | 630 | 1000 | 1500 | 2000 | 2500 | 3000 | 4000 | 600 | 630 | 1000 | 1500 | 2000 | 2500 | 3000 | 4000 | 5000 | 600 | 630 | 1000 | 1500 | 2000 | 2500 | 3000 | 4000 | 5000 | 600 | 630 | 1000 | 1500 | 2000 | 2500 | 3000 | 4000 | 5000 | | | | | | | | | | | | | |
| Case Size | 1825 | | | | | | | | | | 2220 | | | | | | | | | | 2225 | | | | | | | | | | 3640 | | | | | | | | | | | | | | | | | |

| Letter | A | C | E | F | G | X | 7 |
|----------------|-----------------|-----------------|-----------------|-----------------|-----------------|-----------------|-----------------|
| Max. Thickness | 0.81 (0.032) | 1.45 (0.057) | 1.80 (0.071) | 2.20 (0.087) | 2.80 (0.110) | 0.94 (0.037) | 3.30 (0.130) |

NOTE: Contact factory for non-specified capacitance values

