

# SACC-M12MSD-4CON-PG 9-SH - Data connector



1521261

<https://www.phoenixcontact.com/in/products/1521261>

Please be informed that the data shown in this PDF document is generated from our Online Catalog. Please find the complete data in the user documentation. Our General Terms of Use for Downloads are valid.



Data connector, Ethernet CAT5 (100 Mbps), 4-position, shielded, Plug straight M12, D, Screw connection, knurl material: Nickel-plated brass, cable gland Pg9, external cable diameter 6 mm ..  
. 8 mm

## Your advantages

- Safe use in the field, thanks to a high degree of protection
- Screw connection: proven connection technology for a large selection of different conductors
- Reliable signal transmission – 360° shielding in environments with electromagnetic interference

## Commercial Data

Item number	1521261
Packing unit	1 pc
Minimum order quantity	1 pc
Sales Key	BF2
Product Key	BF2CBI
Catalog Page	Page 236 (C-4-2013)
GTIN	4017918968618
Weight per Piece (including packing)	55.7 g
Weight per Piece (excluding packing)	55.8 g
Customs tariff number	85366990
Country of origin	CN

1521261

<https://www.phoenixcontact.com/in/products/1521261>

## Technical Data

### Notes

General	This product corresponds to the PROFINET Cabling and Interconnection Technology Guideline for PROFINET regulations, version 2.00, order no: 2.252, Chapter 8.2 Connectors for Outside Environment (Balanced cabling)
Assembly instruction:	<b>NOTE:</b> Observe the permissible bending radii when laying conductors, since the degree of protection may be put in jeopardy if the bending forces are too high. Alleviate mechanical loads upstream of the connector, e.g. by using cable ties.

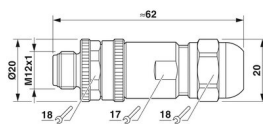
### Product properties

Product type	Circular connector (cable-side)
Number of positions	4
Application	Data
No. of cable outlets	1
Shielded	yes
Coding	D
Pg screw connection	Pg9

### Insulation characteristics

Overvoltage category	II
Degree of pollution	3

### Dimensions

Dimensional drawing	
Width	20 mm
Height	20 mm
Length	62 mm

### External dimensions

Outside diameter	6 mm ... 8 mm
------------------	---------------

### Housing

Diameter housing	20 mm
------------------	-------

### Material specifications

Flammability rating according to UL 94	HB
Seal material	NBR
Material of grip body	Nickel-plated brass
Contact material	CuZn
Contact surface material	Au

# SACC-M12MSD-4CON-PG 9-SH - Data connector



1521261

<https://www.phoenixcontact.com/in/products/1521261>

Contact carrier material	PA
Material for screw connection	Nickel-plated brass

## Connection data

### Conductor connection

Connection method	Screw connection
Connection cross section	0.25 mm <sup>2</sup> ... 0.75 mm <sup>2</sup> (without ferrule)
	0.14 mm <sup>2</sup> ... 0.75 mm <sup>2</sup> (with ferrule)
	0.25 mm <sup>2</sup> ... 0.75 mm <sup>2</sup> (solid)
Connection cross section AWG	24 ... 18 (without ferrule)
	26 ... 20 (with ferrule)
Stripping length of the individual wire	5 mm
Tightening torque	0.4 Nm (M12 knurl)
	0.2 Nm (Screw terminal blocks)
	0.8 Nm ... 1 Nm (Pressure nut with coupling sleeve)

## Electrical properties

Rated surge voltage	2.5 kV
Contact resistance	≤ 3 mΩ
Insulation resistance	≥ 100 MΩ
Nominal voltage U <sub>N</sub>	48 V AC
	60 V DC
Nominal current I <sub>N</sub>	4 A

## Mechanical properties

### Mechanical data

Insertion/withdrawal cycles	≥ 100
-----------------------------	-------

## Connector

### Connection 1

Head design	Plug
Head cable outlet	straight
Head thread type	M12
Coding	D

## Cable/line

Signal type/category	Ethernet CAT5 (on the basis of IEC 11801), 100 Mbps
Stripping length of the individual wire	5 mm

## Environmental and real-life conditions

### Ambient conditions

Degree of protection	IP67
Ambient temperature (operation)	-40 °C ... 85 °C (Plug / socket)

# SACC-M12MSD-4CON-PG 9-SH - Data connector



1521261

<https://www.phoenixcontact.com/in/products/1521261>

## Standards and regulations

Standards/specifications

IEC 61076-2-101

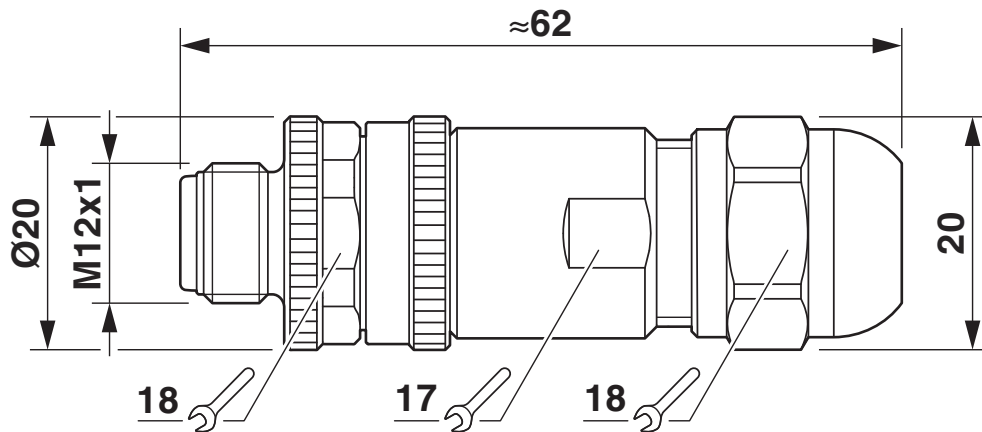
# SACC-M12MSD-4CON-PG 9-SH - Data connector

1521261

<https://www.phoenixcontact.com/in/products/1521261>

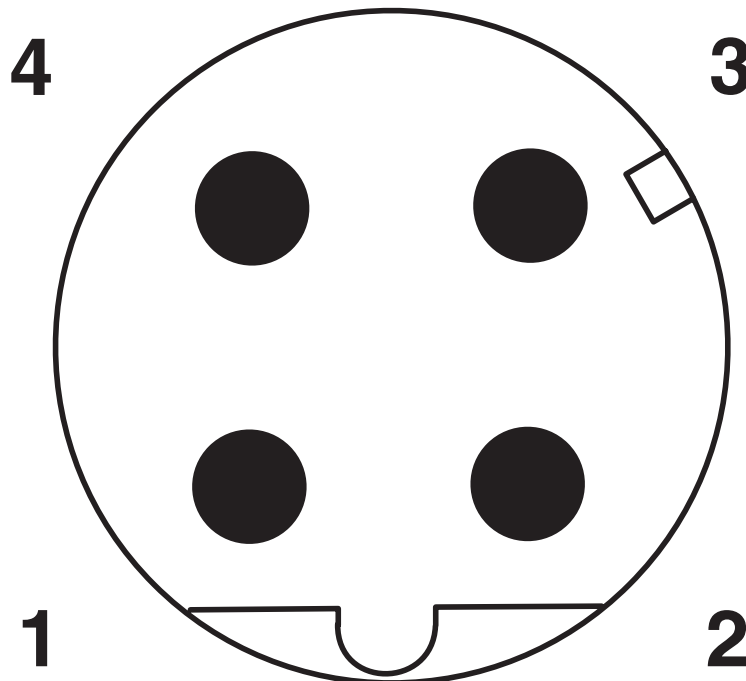
## Drawings

Dimensional drawing



Plug, M12 x 1, straight, shielded

Schematic diagram



Pin assignment M12 male connector, 4-pos., D-coded, male side


# SACC-M12MSD-4CON-PG 9-SH - Data connector



1521261

<https://www.phoenixcontact.com/in/products/1521261>

## Approvals

 <b>cUL Recognized</b> Approval ID: FILE E 221474				
	Nominal Voltage $U_N$	Nominal Current $I_N$	Cross Section AWG	Cross Section $\text{mm}^2$
	250 V	4 A	-	-

 <b>UL Recognized</b> Approval ID: FILE E 221474				
	Nominal Voltage $U_N$	Nominal Current $I_N$	Cross Section AWG	Cross Section $\text{mm}^2$
	250 V	4 A	-	-

1521261

<https://www.phoenixcontact.com/in/products/1521261>

## Classifications

### ECLASS

ECLASS-11.0	27440102
ECLASS-12.0	27440116
ECLASS-13.0	27440116

### ETIM

ETIM 8.0	EC002635
----------	----------

### UNSPSC

UNSPSC 21.0	39121400
-------------	----------

1521261

<https://www.phoenixcontact.com/in/products/1521261>

## Environmental Product Compliance

REACH SVHC	Lead 7439-92-1
China RoHS	Environmentally Friendly Use Period = 50 years
	For information on hazardous substances, refer to the manufacturer's declaration available under "Downloads"



# SACC-M12MSD-4CON-PG 9-SH - Data connector



1521261

<https://www.phoenixcontact.com/in/products/1521261>

## Accessories

### TSD 04 SAC - Torque screwdriver

1208429

<https://www.phoenixcontact.com/in/products/1208429>



Torque screwdriver, with preset torque of 0.4 Nm and 4 mm hexagonal drive for M12 connectors

---

### SACC BIT M12-D20 - Tool

1208445

<https://www.phoenixcontact.com/in/products/1208445>



Nut for assembling M12 connectors for assembly with a knurl diameter of 20 mm, for 4 mm hexagonal drive

# SACC-M12MSD-4CON-PG 9-SH - Data connector



1521261

<https://www.phoenixcontact.com/in/products/1521261>

## TSD-M 1,2NM - Torque screwdriver

1212224

<https://www.phoenixcontact.com/in/products/1212224>



Torque screw driver, accuracy as per EN ISO 6789 standard, adjustable from 0.3 - 1.2 Nm

---

## TSD-M SAC-BIT ADAPTER - Adapter insert

1212600

<https://www.phoenixcontact.com/in/products/1212600>



Adapter bit for TSD-M...torque tools, E6.3-1/4" drive with 4 mm hexagon to accommodate SAC bits

# SACC-M12MSD-4CON-PG 9-SH - Data connector



1521261

<https://www.phoenixcontact.com/in/products/1521261>

## PROT-M12 FS-PA-CHAIN - Sealing cap

1430873

<https://www.phoenixcontact.com/in/products/1430873>

M12 sealing cap made of plastic with fixing band, for sensor cables, for free M12 plugs



---

## VS-OE-OE-93E-100,0 - Data cable

1416295

<https://www.phoenixcontact.com/in/products/1416295>

Data cable, Ethernet CAT5 (100 Mbps), 4-position halogen-free, shielded, free cable end, on free cable end, cable length: 100 m



# SACC-M12MSD-4CON-PG 9-SH - Data connector



1521261

<https://www.phoenixcontact.com/in/products/1521261>

## VS-OE-OE-93B-100,0 - Data cable

1416389

<https://www.phoenixcontact.com/in/products/1416389>



Data cable, PROFINET CAT5 (100 Mbps), 4-position, shielded, free cable end, on free cable end, cable length: 100 m

---

## VS-OE-OE-93C-100,0 - Data cable

1416376

<https://www.phoenixcontact.com/in/products/1416376>



Data cable, PROFINET CAT5 (100 Mbps), 4-position halogen-free, shielded, free cable end, on free cable end, cable length: 100 m

# SACC-M12MSD-4CON-PG 9-SH - Data connector



1521261

<https://www.phoenixcontact.com/in/products/1521261>

## VS-OE-OE-93R-100,0 - Data cable

1416363

<https://www.phoenixcontact.com/in/products/1416363>



Data cable, PROFINET CAT5 (100 Mbps), 4-position halogen-free, shielded, free cable end, on free cable end, cable length: 100 m

---

## VS-OE-OE-936-100,0 - Data cable

1416570

<https://www.phoenixcontact.com/in/products/1416570>



Data cable, PROFINET CAT5 (100 Mbps), 4-position halogen-free, shielded, free cable end, on free cable end, cable length: 100 m

# SACC-M12MSD-4CON-PG 9-SH - Data connector

1521261

<https://www.phoenixcontact.com/in/products/1521261>

## VS-OE-OE-93G-100,0 - Data cable

1419152

<https://www.phoenixcontact.com/in/products/1419152>



Data cable, EtherCAT<sup>®</sup> CAT5 (100 Mbps), 4-position, shielded, free cable end, on free cable end, cable length: 100 m

---

## VS-OE-OE-93K-100,0 - Data cable

1419173

<https://www.phoenixcontact.com/in/products/1419173>



Data cable, Sercos CAT5 (100 Mbps), 4-position, shielded, free cable end, on free cable end, cable length: 100 m

# SACC-M12MSD-4CON-PG 9-SH - Data connector



1521261

<https://www.phoenixcontact.com/in/products/1521261>

## A 0,25- 5 - Ferrule

3202465

<https://www.phoenixcontact.com/in/products/3202465>



Ferrule, length: 5 mm, color: silver

---

## CRIMPFOX 6H - Crimping pliers

1212046

<https://www.phoenixcontact.com/in/products/1212046>



Crimping pliers, for ferrules without insulating collar according to DIN 46228 Part 1 and ferrules with insulating collar according to DIN 46228 Part 4, 0.14 mm<sup>2</sup> ... 6 mm<sup>2</sup>, unlockable pressure lock, lateral entry

# SACC-M12MSD-4CON-PG 9-SH - Data connector



1521261

<https://www.phoenixcontact.com/in/products/1521261>

## SZF 1-0,6X3,5 - Screwdriver

1204517

<https://www.phoenixcontact.com/in/products/1204517>



Actuation tool, for ST terminal blocks, also suitable for use as a bladed screwdriver, size: 0.6 x 3.5 x 100 mm, 2-component grip, with non-slip grip

---

Phoenix Contact 2023 © - all rights reserved

<https://www.phoenixcontact.com>

PHOENIX CONTACT (I) Pvt. Ltd.

A-58/2, Okhla Industrial Area, Phase - II, New Delhi-110 020

+91.1275.71420

[info@phoenixcontact.co.in](mailto:info@phoenixcontact.co.in)