

SACC-M12MSD-4Q SH PN - Data connector



1554513

<https://www.phoenixcontact.com/in/products/1554513>

Please be informed that the data shown in this PDF document is generated from our Online Catalog. Please find the complete data in the user documentation. Our General Terms of Use for Downloads are valid.



Data connector, PROFINET CAT5 (100 Mbps), 4-position, shielded, Plug straight M12, D, Insulation displacement connection, knurl material: Nickel-plated brass, external cable diameter 4 mm ... 8 mm

Your advantages

- Safe use in the field, thanks to a high degree of protection
- Insulation displacement connection: innovative and time-saving assembly without stripping the single wire
- Reliable signal transmission – 360° shielding in environments with electromagnetic interference

Commercial Data

Item number	1554513
Packing unit	1 pc
Minimum order quantity	1 pc
Sales Key	BF2
Product Key	BF2CDN
Catalog Page	Page 237 (C-4-2013)
GTIN	4046356166201
Weight per Piece (including packing)	42.6 g
Weight per Piece (excluding packing)	41 g
Customs tariff number	85366990
Country of origin	DE

1554513

<https://www.phoenixcontact.com/in/products/1554513>

Technical Data

Notes

General	This product corresponds to the PROFINET Cabling and Interconnection Technology Guideline for PROFINET regulations, version 2.00, order no: 2.252, Chapter 8.2 Connectors for Outside Environment (Balanced cabling)
Assembly instruction:	NOTE: Observe the permissible bending radii when laying conductors, since the degree of protection may be put in jeopardy if the bending forces are too high. Alleviate mechanical loads upstream of the connector, e.g. by using cable ties.

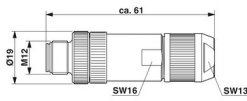
Product properties

Product type	Circular connector (cable-side)
Number of positions	4
Application	Data
No. of cable outlets	1
Shielded	yes
Coding	D
Cable outlet	straight

Insulation characteristics

Overvoltage category	II
Degree of pollution	3

Dimensions

Dimensional drawing	
Width	19 mm
Height	19 mm
Length	61 mm

External dimensions

Outside diameter	4 mm ... 8 mm
------------------	---------------

Housing

Diameter housing	19 mm
------------------	-------

Material specifications

Flammability rating according to UL 94	V0
Seal material	Neoprene
Material of grip body	Zinc die-cast, nickel-plated
Contact material	CuSn

SACC-M12MSD-4Q SH PN - Data connector



1554513

<https://www.phoenixcontact.com/in/products/1554513>

Contact surface material	Ni/Au
Contact carrier material	PA 6
Material for screw connection	Nickel-plated brass

Connection data

Conductor connection

Connection method	Insulation displacement connection
Connection cross section AWG	23 ... 22
Tightening torque	0.4 Nm (M12 knurl)
	0.8 Nm (Connector with coupling sleeve)
	3 Nm (Pressure nut with coupling sleeve)

Electrical properties

Contact resistance	$\leq 5 \text{ m}\Omega$
Insulation resistance	$\geq 100 \text{ M}\Omega$
Nominal voltage U_N	48 V AC
	60 V DC
Nominal current I_N	1.75 A

Mechanical properties

Mechanical data

Insertion/withdrawal cycles	≥ 100
-----------------------------	------------

Connector

Connection 1

Head design	Plug
Head cable outlet	straight
Head thread type	M12
Coding	D

Cable/line

Signal type/category	PROFINET CAT5 (on the basis of IEC 11801), 100 Mbps
----------------------	---

Environmental and real-life conditions

Ambient conditions

Degree of protection	IP67
Ambient temperature (operation)	-40 °C ... 85 °C

Standards and regulations

M12

Standards/specifications	according to IEC 61076-2-101
--------------------------	------------------------------

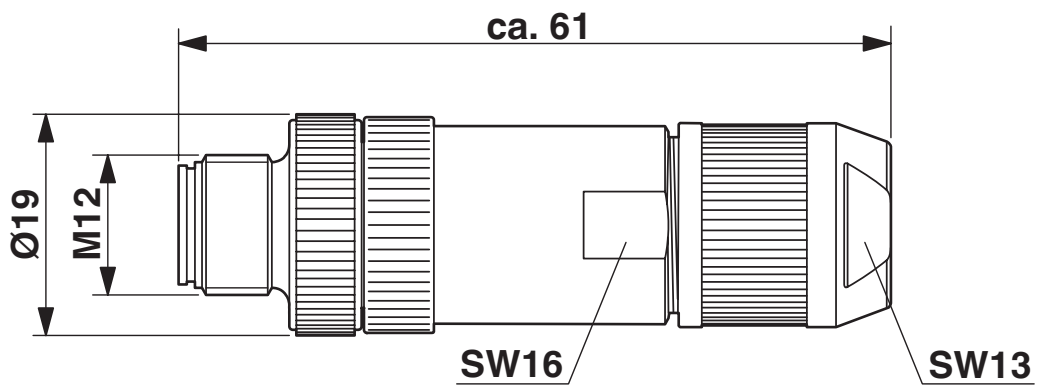
SACC-M12MSD-4Q SH PN - Data connector

1554513

<https://www.phoenixcontact.com/in/products/1554513>

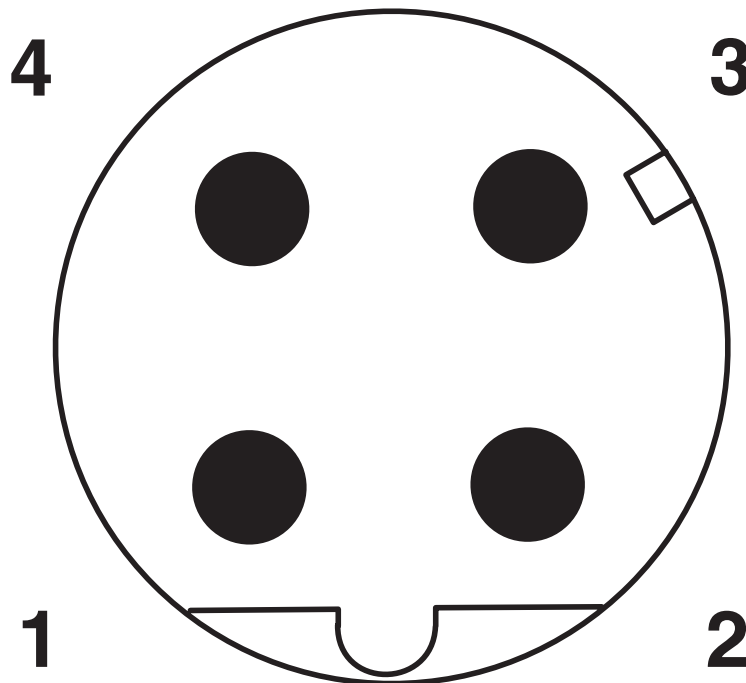
Drawings

Dimensional drawing



Plug, M12 x 1, straight, shielded

Schematic diagram



Pin assignment M12 male connector, 4-pos., D-coded, male side

SACC-M12MSD-4Q SH PN - Data connector



1554513

<https://www.phoenixcontact.com/in/products/1554513>

Approvals



EAC

Approval ID: RU C-DE.AI30.B.01102



EAC

Approval ID: RU C-DE.BL08.B.00511

SACC-M12MSD-4Q SH PN - Data connector



1554513

<https://www.phoenixcontact.com/in/products/1554513>

Classifications

ECLASS

ECLASS-11.0	27440102
ECLASS-12.0	27440116
ECLASS-13.0	27440116

ETIM

ETIM 8.0	EC002635
----------	----------

UNSPSC

UNSPSC 21.0	39121400
-------------	----------

SACC-M12MSD-4Q SH PN - Data connector



1554513

<https://www.phoenixcontact.com/in/products/1554513>

Environmental Product Compliance

REACH SVHC	Lead 7439-92-1
China RoHS	Environmentally Friendly Use Period = 50 years
	For information on hazardous substances, refer to the manufacturer's declaration available under "Downloads"

SACC-M12MSD-4Q SH PN - Data connector



1554513

<https://www.phoenixcontact.com/in/products/1554513>

Accessories

TSD 04 SAC - Torque screwdriver

1208429

<https://www.phoenixcontact.com/in/products/1208429>



Torque screwdriver, with preset torque of 0.4 Nm and 4 mm hexagonal drive for M12 connectors

SACC BIT M12-D20 - Tool

1208445

<https://www.phoenixcontact.com/in/products/1208445>



Nut for assembling M12 connectors for assembly with a knurl diameter of 20 mm, for 4 mm hexagonal drive

SACC-M12MSD-4Q SH PN - Data connector



1554513

<https://www.phoenixcontact.com/in/products/1554513>

TSD-M 1,2NM - Torque screwdriver

1212224

<https://www.phoenixcontact.com/in/products/1212224>



Torque screw driver, accuracy as per EN ISO 6789 standard, adjustable from 0.3 - 1.2 Nm

TSD-M SAC-BIT ADAPTER - Adapter insert

1212600

<https://www.phoenixcontact.com/in/products/1212600>



Adapter bit for TSD-M...torque tools, E6.3-1/4" drive with 4 mm hexagon to accommodate SAC bits

SACC-M12MSD-4Q SH PN - Data connector

1554513

<https://www.phoenixcontact.com/in/products/1554513>



TSD 08 SAC - Torque screwdriver

1212597

<https://www.phoenixcontact.com/in/products/1212597>



Torque screw driver with preset torque of 0.8 Nm, with 4 mm hexagon for accommodating SAC bits, two-component handle with non-slip grip

PROT-M12 FS-PA-CHAIN - Sealing cap

1430873

<https://www.phoenixcontact.com/in/products/1430873>



M12 sealing cap made of plastic with fixing band, for sensor cables, for free M12 plugs

SACC-M12MSD-4Q SH PN - Data connector



1554513

<https://www.phoenixcontact.com/in/products/1554513>

VS-OE-OE-93B/... - Data cable

1417362

<https://www.phoenixcontact.com/in/products/1417362>



Data cable, PROFINET CAT5 (100 Mbps), 4-position, shielded, free cable end, on free cable end, cable length: Free entry (0.5 ... 400 m)

VS-OE-OE-93C/... - Data cable

1417491

<https://www.phoenixcontact.com/in/products/1417491>



Data cable, PROFINET CAT5 (100 Mbps), 4-position halogen-free, shielded, free cable end, on free cable end, cable length: Free entry (0.5 ... 400 m)

SACC-M12MSD-4Q SH PN - Data connector



1554513

<https://www.phoenixcontact.com/in/products/1554513>

VS-OE-OE-93R/... - Data cable

1417388

<https://www.phoenixcontact.com/in/products/1417388>



Data cable, PROFINET CAT5 (100 Mbps), 4-position halogen-free, shielded, free cable end, on free cable end, cable length: Free input (0.5 ... 100 m)

VS-OE-OE-936/... - Data cable

1417375

<https://www.phoenixcontact.com/in/products/1417375>



Data cable, PROFINET CAT5 (100 Mbps), 4-position halogen-free, shielded, free cable end, on free cable end, cable length: Free input (0.5 ... 100 m)

SACC-M12MSD-4Q SH PN - Data connector

1554513

<https://www.phoenixcontact.com/in/products/1554513>



VS-OE-OE-937/... - Data cable

1402687

<https://www.phoenixcontact.com/in/products/1402687>



Data cable, PROFINET CAT5 (100 Mbps), 4-position halogen-free, shielded, free cable end, on free cable end, cable length: Free entry (0.5 ... 400 m)

WIREFOX-D 40 - Stripping tool

1212161

<https://www.phoenixcontact.com/in/products/1212161>



Stripping tool, for stripping cables of 4.5 mm - 40 mm-Ø, insulation thickness of up to 4.5 mm, pivoting blade for round, lengthwise, and spiral cuts

SACC-M12MSD-4Q SH PN - Data connector

1554513

<https://www.phoenixcontact.com/in/products/1554513>



MICROFOX-SB - Diagonal cutter

1212489

<https://www.phoenixcontact.com/in/products/1212489>



Electronic diagonal cutter, round head, without chamfer, with opening spring, mirror-polished and oiled, 2-component grip, cutting capacity: soft 0.2 - 2.0 mm; medium hard 1.2 mm; hard 0.5 mm diameter

ALU-SB - Shielding foil

1404531

<https://www.phoenixcontact.com/in/products/1404531>

Shielding foil, for fixing the braided shield of shielded cables. Length: 4 cm, width: 1.2 cm



Phoenix Contact 2023 © - all rights reserved
<https://www.phoenixcontact.com>

PHOENIX CONTACT (I) Pvt. Ltd.
A-58/2, Okhla Industrial Area, Phase - II, New Delhi-110 020

+91.1275.71420
info@phoenixcontact.co.in