

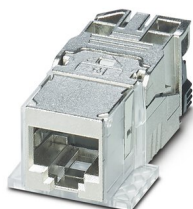
# CUC-F-J1ZNI-S/R4IDC8 - RJ45 socket insert



1418984

<https://www.phoenixcontact.com/in/products/1418984>

Please be informed that the data shown in this PDF document is generated from our Online Catalog. Please find the complete data in the user documentation. Our General Terms of Use for Downloads are valid.



RJ45 socket insert, design: RJ45, degree of protection: IP20, number of positions: 8, 10 Gbps, CAT6<sub>A</sub>, material: Metal, connection method: IDC connection, connection cross section: AWG 26-22, cable outlet: straight, Freenet design for use with IP67 panel mounting frame and terminal outlets, Ethernet

## Product Description

Freenet system

## Your advantages

- Assembly without special tools
- Compact design
- Rugged design

## Commercial Data

Item number	1418984
Packing unit	1 pc
Minimum order quantity	1 pc
Sales Key	ABN
Product Key	ABNACA
Catalog Page	Page 351 (C-2-2019)
GTIN	4055626251431
Weight per Piece (including packing)	20 g
Weight per Piece (excluding packing)	20 g
Customs tariff number	85366990
Country of origin	PL

# CUC-F-J1ZNI-S/R4IDC8 - RJ45 socket insert



1418984

<https://www.phoenixcontact.com/in/products/1418984>

## Technical Data

### Product properties

Type	RJ45
Product type	Female insert
Number of positions	8
Connection profile	RJ45
No. of cable outlets	1
Number of slots	1
Shielded	yes
Cable outlet	straight

### Insulation characteristics

Overvoltage category	III
----------------------	-----

### Electrical properties

Rated voltage (III/3)	72 V (DC)
Rated surge voltage	0.8 kV
Frequency range	500 MHz
Insulation resistance	> 500 M $\Omega$ (100 V DC)
Nominal voltage $U_N$	72 V (DC)
Nominal current $I_N$	1.5 A
Transmission medium	Copper

### Connection data

#### Connection technology

Connection method	IDC connection
-------------------	----------------

### Material specifications

Flammability rating according to UL 94	V0
Housing surface material	metal-plated
Contact material	Copper alloy
Contact surface material	Gold
Contact carrier material	PC
Material, protective cover	PC
Housing material	Metal

### Cable/line

External cable diameter	4.5 mm ... 9 mm
Wire diameter	0.4 mm ... 0.65 mm
Wire diameter including insulation	0.8 mm ... 1.6 mm

### Mechanical properties

# CUC-F-J1ZNI-S/R4IDC8 - RJ45 socket insert



1418984

<https://www.phoenixcontact.com/in/products/1418984>

## Mechanical data

Insertion/withdrawal cycles	≥ 750
-----------------------------	-------

## Environmental and real-life conditions

### Ambient conditions

Degree of protection	IP20
	IP20
Ambient temperature (operation)	-25 °C ... 70 °C
Ambient temperature (storage/transport)	-40 °C ... 70 °C

## Mounting

Mounting type	Snap in
---------------	---------

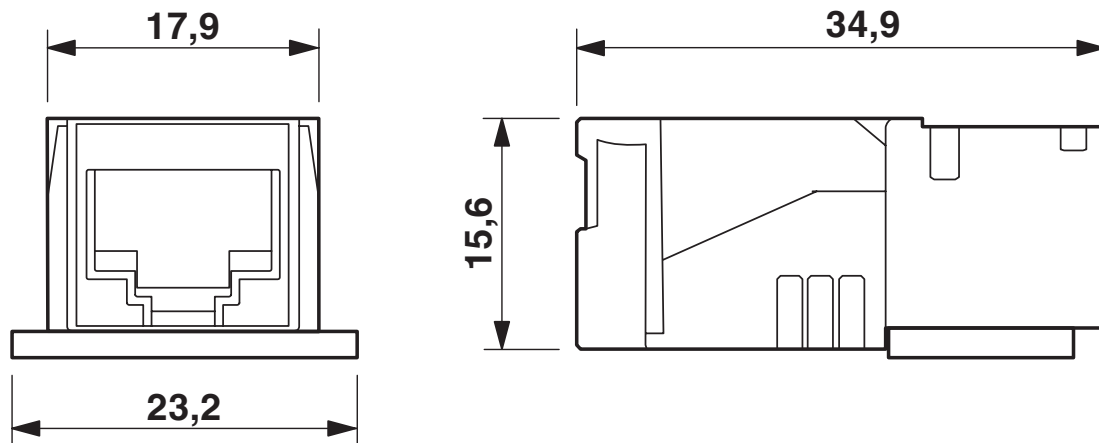
# CUC-F-J1ZNI-S/R4IDC8 - RJ45 socket insert

1418984

<https://www.phoenixcontact.com/in/products/1418984>

## Drawings

Dimensional drawing



RJ45 socket insert, Freenet system

# CUC-F-J1ZNI-S/R4IDC8 - RJ45 socket insert



1418984

<https://www.phoenixcontact.com/in/products/1418984>

## Approvals



**cUL Recognized**  
Approval ID: FILE E 335024



**UL Recognized**  
Approval ID: FILE E 335024



**EAC**  
Approval ID: B.01687



**DNV GL**  
Approval ID: TAE000029B

# CUC-F-J1ZNI-S/R4IDC8 - RJ45 socket insert



1418984

<https://www.phoenixcontact.com/in/products/1418984>

## Classifications

### ECLASS

ECLASS-11.0	27440223
ECLASS-12.0	27440223
ECLASS-13.0	27440223

### ETIM

ETIM 8.0	EC003557
----------	----------

### UNSPSC

UNSPSC 21.0	39121400
-------------	----------

# CUC-F-J1ZNI-S/R4IDC8 - RJ45 socket insert



1418984

<https://www.phoenixcontact.com/in/products/1418984>

## Environmental Product Compliance

China RoHS	Environmentally friendly use period: unlimited = EFUP-e
	No hazardous substances above threshold values

# CUC-F-J1ZNI-S/R4IDC8 - RJ45 socket insert

1418984

<https://www.phoenixcontact.com/in/products/1418984>



## Accessories

### VS-A-F-IP67 - Panel mounting frames

1653744

<https://www.phoenixcontact.com/in/products/1653744>



Panel mounting frame, IP67, for Freenet system, for round panel cutout, with grommet, without mounting screws, color: gray

---

### VS-A-F-IP67-BK - Panel mounting frames

1658668

<https://www.phoenixcontact.com/in/products/1658668>



Panel mounting frame, IP67, for Freenet system, for round panel cutout, with grommet, without mounting screws, color: black



# CUC-F-J1ZNI-S/R4IDC8 - RJ45 socket insert

1418984

<https://www.phoenixcontact.com/in/products/1418984>



## VS-PPC-F1-RJ45-MNNA-1R-F - Panel mounting frames

1405358

<https://www.phoenixcontact.com/in/products/1405358>



RJ45 panel mounting frame, IP67, for push-pull interlocking, metal, with the Freenet system, for square panel cutout, with grommet, without mounting screws

---

## VS-PPC-F1-RJ45-MNNA-1C-F - Panel mounting frames

1405222

<https://www.phoenixcontact.com/in/products/1405222>



RJ45 panel mounting frame, IP67, for push-pull interlocking, metal, with Freenet system, for round mounting cutout, with seal

## CUC-F-J1ZNI-S/R4IDC8 - RJ45 socket insert

1418984

<https://www.phoenixcontact.com/in/products/1418984>



## VS-PPC-F1-RJ45-POBK-1R-F - Panel mounting frames

1608197

<https://www.phoenixcontact.com/in/products/1608197>



RJ45 panel mounting frame, IP67, for push-pull interlocking, plastic, with the Freenet system, for square panel cutout, with grommet, without mounting screws

---

## VS-TO-OW-2-F-9010 - Terminal outlet

1653003

<https://www.phoenixcontact.com/in/products/1653003>



Terminal outlet, surface mounting, IP20, two slots for contact inserts with the Freenet system

## CUC-F-J1ZNI-S/R4IDC8 - RJ45 socket insert

1418984

<https://www.phoenixcontact.com/in/products/1418984>



## VS-TO-IW-2-F-9010 - Terminal outlet

1653016

<https://www.phoenixcontact.com/in/products/1653016>



Terminal outlet, flush-type mounting, IP20, two slots for contact inserts with the Freenet system

---

## VS-OE-OE-93B-100,0 - Data cable

1416389

<https://www.phoenixcontact.com/in/products/1416389>



Data cable, PROFINET CAT5 (100 Mbps), 4-position, shielded, free cable end, on free cable end, cable length: 100 m

# CUC-F-J1ZNI-S/R4IDC8 - RJ45 socket insert

1418984

<https://www.phoenixcontact.com/in/products/1418984>

## VS-OE-OE-94B-100,0 - Data cable

1416567

<https://www.phoenixcontact.com/in/products/1416567>



Data cable, Ethernet CAT5 (1 Gbps), 8-position halogen-free, shielded, free cable end, on free cable end, cable length: 100 m

---

## VS-OE-OE-94F/... - Data cable

1417359

<https://www.phoenixcontact.com/in/products/1417359>



Data cable, Ethernet CAT6<sub>A</sub> (10 Gbps), 8-position halogen-free, shielded, free cable end, on free cable end, cable length: Free entry (0.5 ... 400 m)

## CUC-F-J1ZNI-S/R4IDC8 - RJ45 socket insert

1418984

<https://www.phoenixcontact.com/in/products/1418984>



## MICROFOX-SP-1 - Diagonal cutter

1212487

<https://www.phoenixcontact.com/in/products/1212487>



Electronic diagonal cutter, tapered head, without chamfer, with opening spring, non-reflective phosphate-treated surface, punched version

---

## VS-CABLE-STRIP-VARIO - Stripping tool

1657407

<https://www.phoenixcontact.com/in/products/1657407>

Stripping tool, for the multi-level stripping of shielded cables



# CUC-F-J1ZNI-S/R4IDC8 - RJ45 socket insert

1418984

<https://www.phoenixcontact.com/in/products/1418984>



## C-SCFI 1,5/2,8X0,8 - Connector

3240049

<https://www.phoenixcontact.com/in/products/3240049>



Slip-on sleeve, red, 0.5 ... 1.5 mm<sup>2</sup>, 2.8 x 0.8

---

Phoenix Contact 2023 © - all rights reserved

<https://www.phoenixcontact.com>

PHOENIX CONTACT (I) Pvt. Ltd.

A-58/2, Okhla Industrial Area, Phase - II, New Delhi-110 020

+91.1275.71420

[info@phoenixcontact.co.in](mailto:info@phoenixcontact.co.in)