

SZF 1-0,6X3,5 - Screwdriver



1204517

<https://www.phoenixcontact.com/in/products/1204517>

Please be informed that the data shown in this PDF document is generated from our Online Catalog. Please find the complete data in the user documentation. Our General Terms of Use for Downloads are valid.



Actuation tool, for ST terminal blocks, also suitable for use as a bladed screwdriver, size: 0.6 x 3.5 x 100 mm, 2-component grip, with non-slip grip

Your advantages

- In addition to its standard application, this screwdriver is also ideal for actuating ST ... and QTC ... modular terminal blocks

Commercial Data

Item number	1204517
Packing unit	10 pc
Minimum order quantity	10 pc
Sales Key	BH3
Product Key	BH3141
Catalog Page	Page 448 (C-3-2019)
GTIN	4017918018948
Weight per Piece (including packing)	36.15 g
Weight per Piece (excluding packing)	35 g
Customs tariff number	82054000
Country of origin	CZ

SZF 1-0,6X3,5 - Screwdriver

1204517

<https://www.phoenixcontact.com/in/products/1204517>

Technical Data

Notes

Environmental Product Compliance

California Proposition 65

Further information on California's prop. 65 is available under "Downloads" in the manufacturer's declaration

Product properties

Type

Bladed

Product type

Screwdriver tools

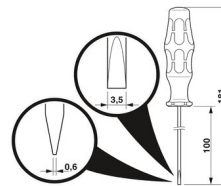
Connection data

Output

Bladed

Dimensions

Dimensional drawing



Width

26 mm

Blade width

3.5 mm

Blade height

100 mm

Length

181 mm

Blade thickness

0.6 mm

Material specifications

Material

alloyed tool steel

Standards and regulations

Tests

DIN/ISO 2380-1

Mounting

Wrench size

0 mm

SZF 1-0,6X3,5 - Screwdriver

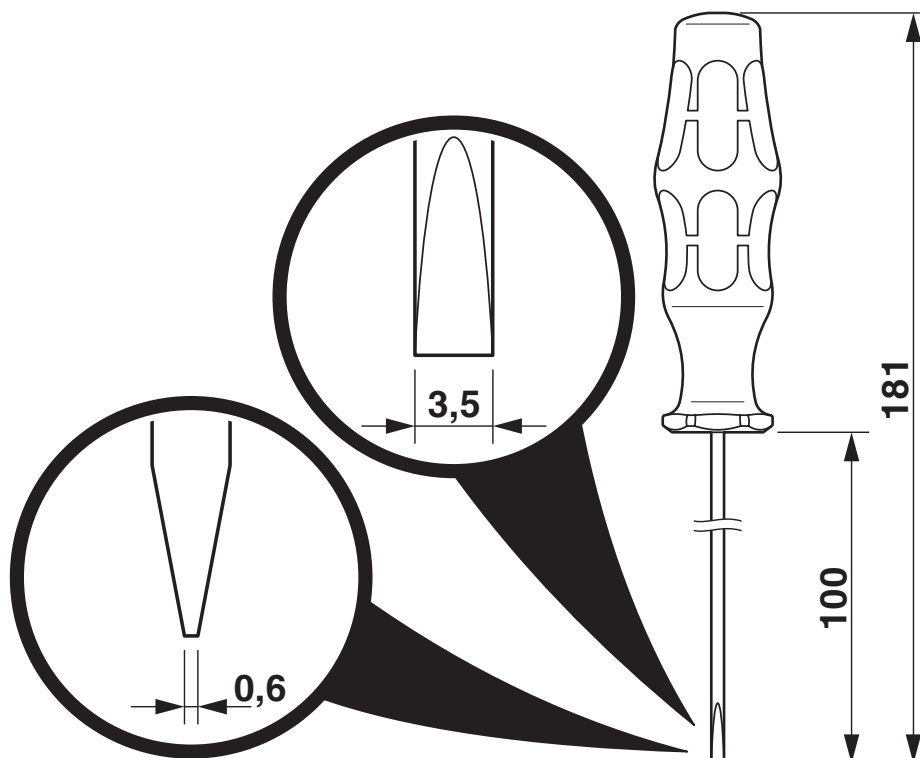
1204517

<https://www.phoenixcontact.com/in/products/1204517>



Drawings

Dimensional drawing



SZF 1-0,6X3,5 - Screwdriver

1204517

<https://www.phoenixcontact.com/in/products/1204517>



Approvals



EAC

Approval ID: RU x-DE.xx08.B.02974

SZF 1-0,6X3,5 - Screwdriver



1204517

<https://www.phoenixcontact.com/in/products/1204517>

Classifications

ECLASS

ECLASS-10.0.1	21040407
ECLASS-11.0	21040407
ECLASS-12.0	21040407
ECLASS-13.0	21040407

ETIM

ETIM 8.0	EC000158
----------	----------

UNSPSC

UNSPSC 21.0	27111700
-------------	----------

Phoenix Contact 2023 © - all rights reserved
<https://www.phoenixcontact.com>

PHOENIX CONTACT (I) Pvt. Ltd.
A-58/2, Okhla Industrial Area, Phase - II, New Delhi-110 020

+91.1275.71420
info@phoenixcontact.co.in