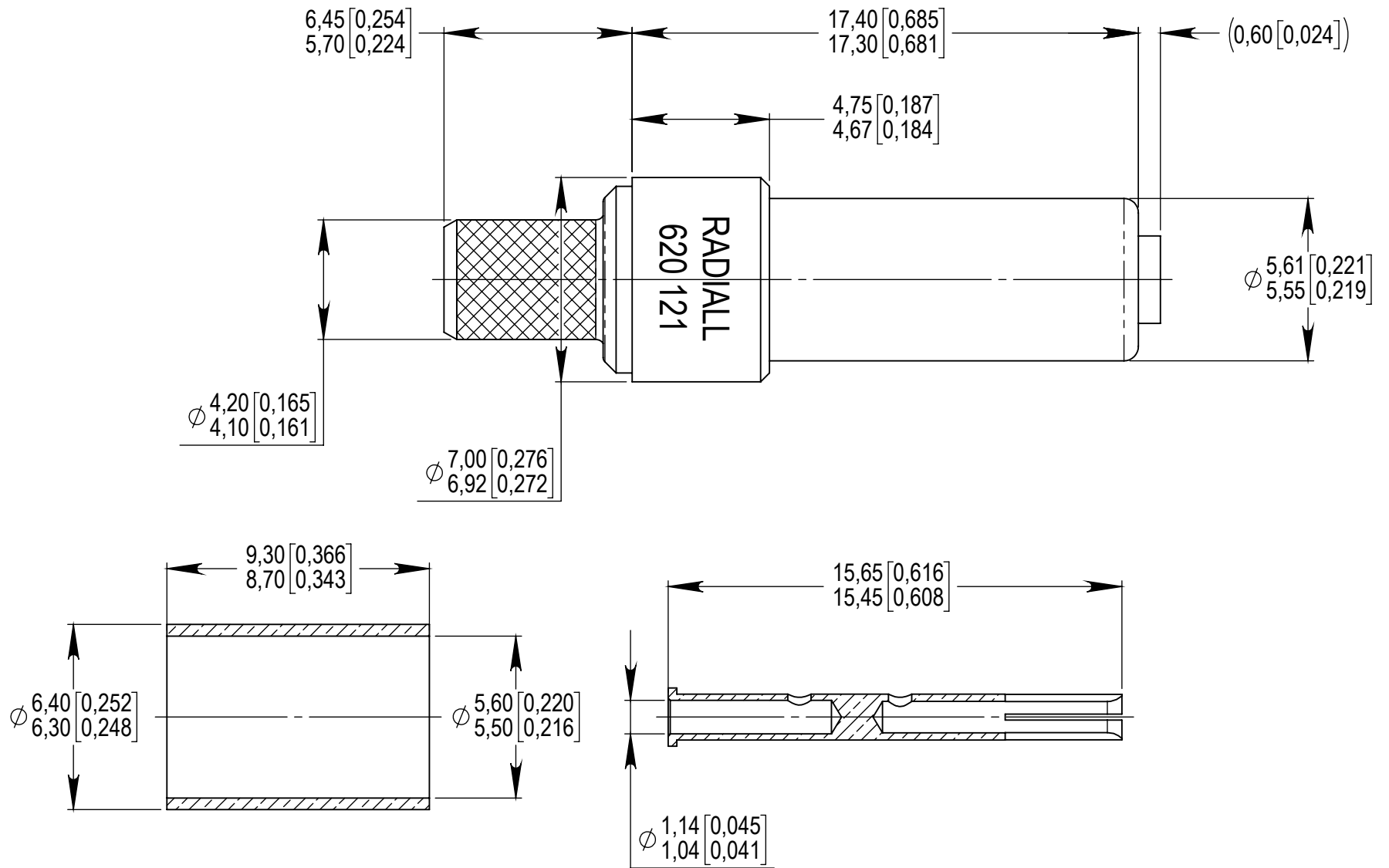


**Series  
NSX**
**SIZE 5 COAXIAL PIN CONTACT  
FOR RG142, RG400 AND ASNE0293XF CABLES**
**Issue:  
Sep. 17, 2020**
**Page  
1/1**

**MATERIAL:**

- OUTER CONTACT: BRASS
- INSULATOR: PTFE OR EQUIVALENT
- CENTER CONTACT: BERYLLIUM COPPER
- FERRULE: BRASS

**FINISH (ALL METAL PARTS):**

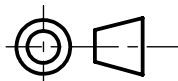
- GOLD OVER NICKEL PLATED

**ELECTRICAL CHARACTERISTICS :**

- TEMPERATURE RANGE : -65°C TO +165°C
- IMPEDANCE : 50 OHMS NOMINAL
- RATED VOLTAGE : 325V RMS AT SEA LEVEL
- FREQUENCY RANGE : 0-500 MHz
- VSWR : 1.10:1 FREQUENCY RANGE: 0-300 MHz : 1.10:1
- VSWR : 1.30:1 FREQUENCY RANGE: 300-500 MHz : 1.30:1
- DWV : 750V RMS AT SEA LEVEL

**NOTES:**

- WIRING INSTRUCTIONS : MI CT 01 00039
- EXTRACTION TOOL: M81969/28-01 (RADIALL 282946)

**DIMENSIONS : mm (inch are given for information only)**


Estimated weight : 4 g

<b>CREATION</b>  <b>PEN:</b>  <b>NOM: J.P. MACARI</b> <b>DATE: May 26, 1989</b> <b>APPR.: CARTESE</b>				
	Sep. 17, 20	Updated to new format. Added ASNE0293XF cable	Lopez C.	Ramos D.
	Nov. 08, 99	Redrawn	Valgresy	
	Issue	Revisions	Name	Approved

620121EN

RADIALL PROPRIETARY INFORMATION

This document contains proprietary information and such information shall not be disclosed to any third party for any purpose whatsoever or used for manufacturing purposes without prior written agreement from RADIALL. This information is given as an indication. In the continual goal to improve our products, we reserve the right to make any modifications judged necessary.

4112\_9311