

# Product data sheet

Specifications



## circuit breaker EasyPact CVS100BS, 25 kA at 415 VAC, 63 A rating thermal magnetic TM-D trip unit, 3P 3d

LV510936

### Main

|                                        |                                                                                                                                                                                                                                                      |
|----------------------------------------|------------------------------------------------------------------------------------------------------------------------------------------------------------------------------------------------------------------------------------------------------|
| Range                                  | EasyPact                                                                                                                                                                                                                                             |
| Product name                           | EasyPact CVS                                                                                                                                                                                                                                         |
| Device short name                      | CVS100BS                                                                                                                                                                                                                                             |
| Product or component type              | Circuit breaker                                                                                                                                                                                                                                      |
| Device application                     | Distribution                                                                                                                                                                                                                                         |
| Poles description                      | 3P                                                                                                                                                                                                                                                   |
| Protected poles description            | 3D                                                                                                                                                                                                                                                   |
| Earth leakage protection (Vigi add on) | Without                                                                                                                                                                                                                                              |
| [In] rated current                     | 63 A at 40 °C                                                                                                                                                                                                                                        |
| Network type                           | AC                                                                                                                                                                                                                                                   |
| Suitability for isolation              | Yes                                                                                                                                                                                                                                                  |
| Utilisation category                   | Category A                                                                                                                                                                                                                                           |
| [Icu] Breaking capacity                | 25 kA Icu at 440 V AC 50/60 Hz conforming to IEC 60947-2<br>25 kA Icu at 415 V AC 50/60 Hz conforming to IEC 60947-2<br>50 kA Icu at 200/240 V AC 50/60 Hz conforming to IEC 60947-2<br>25 kA Icu at 380/400 V AC 50/60 Hz conforming to IEC 60947-2 |
| Trip unit name                         | TM-D                                                                                                                                                                                                                                                 |
| Trip unit technology                   | Thermal-magnetic                                                                                                                                                                                                                                     |
| Trip unit rating                       | 63 A at 40 °C                                                                                                                                                                                                                                        |
| Protection type                        | Instantaneous short-circuit protection<br>Overload protection (long time)                                                                                                                                                                            |

### Complementary

|                                        |                                                                                                                      |
|----------------------------------------|----------------------------------------------------------------------------------------------------------------------|
| [Uimp] rated impulse withstand voltage | 8 kV conforming to EN/IEC 60947-2                                                                                    |
| Network frequency                      | 50/60 Hz                                                                                                             |
| Breaking capacity code                 | BS                                                                                                                   |
| [Ics] rated service breaking capacity  | 25 kA at 200/240 V AC 50/60 Hz conforming to IEC 60947-2<br>17 kA at 380/400 V AC 50/60 Hz conforming to IEC 60947-2 |
| Mechanical durability                  | 13000 cycles                                                                                                         |
| Electrical durability                  | 4000 cycles 415 V In conforming to IEC 60947-2                                                                       |
| Control type                           | Toggle                                                                                                               |

|                                                 |                  |
|-------------------------------------------------|------------------|
| <b>Thermal protection adjustment range</b>      | 44.1...63 A      |
| <b>Long time pick-up adjustment type Ir</b>     | Adjustable       |
| <b>Long time pick-up adjustment range</b>       | 0.7...1 x In     |
| <b>Long time delay adjustment type</b>          | Fixed            |
| <b>Instantaneous pick-up adjustment type li</b> | Fixed            |
| <b>Instantaneous pick-up adjustment range</b>   | 500 A            |
| <b>Contact position indicator</b>               | Yes              |
| <b>Mounting mode</b>                            | Fixed            |
| <b>Mounting support</b>                         | Backplate        |
| <b>Upside connection</b>                        | Front            |
| <b>Downside connection</b>                      | Front            |
| <b>Connections - terminals</b>                  | Screw connection |
| <b>Connection pitch</b>                         | 35 mm            |
| <b>Compatibility code</b>                       | CVS100           |
| <b>Width</b>                                    | 75 mm            |
| <b>Depth</b>                                    | 60 mm            |
| <b>Height</b>                                   | 130 mm           |
| <b>Net weight</b>                               | 0.78 kg          |

## Environment

|                                              |                             |
|----------------------------------------------|-----------------------------|
| <b>Standards</b>                             | IEC 60947-2                 |
| <b>Product certifications</b>                | GOST<br>CCC<br>CCS          |
| <b>Electrical shock protection class</b>     | Class II                    |
| <b>Pollution degree</b>                      | 3 conforming to IEC 60664-1 |
| <b>IP degree of protection</b>               | IP40                        |
| <b>Ambient air temperature for operation</b> | -25...70 °C                 |
| <b>Ambient air temperature for storage</b>   | -50...85 °C                 |

## Packing Units

|                                     |         |
|-------------------------------------|---------|
| <b>Unit Type of Package 1</b>       | PCE     |
| <b>Number of Units in Package 1</b> | 1       |
| <b>Package 1 Height</b>             | 9.5 cm  |
| <b>Package 1 Width</b>              | 8.0 cm  |
| <b>Package 1 Length</b>             | 14.0 cm |
| <b>Package 1 Weight</b>             | 826.0 g |
| <b>Unit Type of Package 2</b>       | S02     |
| <b>Number of Units in Package 2</b> | 12      |
| <b>Package 2 Height</b>             | 15.0 cm |

|                              |           |
|------------------------------|-----------|
| Package 2 Width              | 30.0 cm   |
| Package 2 Length             | 40.0 cm   |
| Package 2 Weight             | 10.15 kg  |
| Unit Type of Package 3       | PAL       |
| Number of Units in Package 3 | 384       |
| Package 3 Height             | 80.0 cm   |
| Package 3 Width              | 120.0 cm  |
| Package 3 Length             | 384.0 cm  |
| Package 3 Weight             | 299.52 kg |

## Offer Sustainability

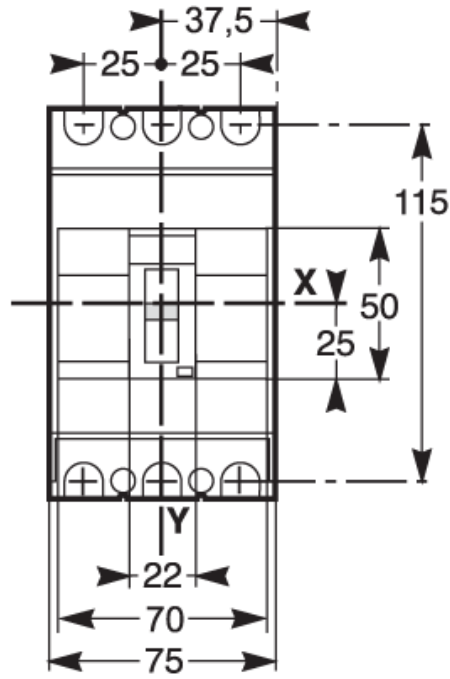
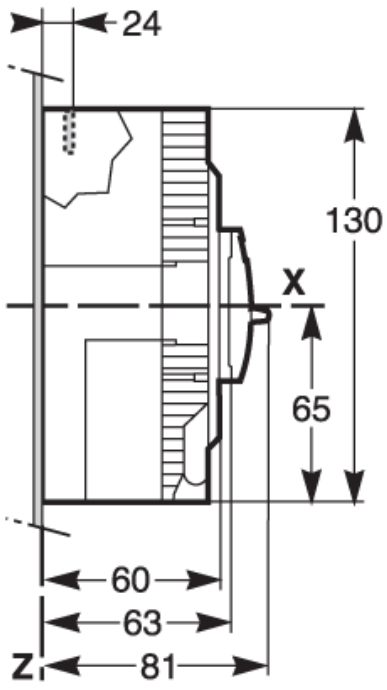
|                            |                                                                                                                             |
|----------------------------|-----------------------------------------------------------------------------------------------------------------------------|
| Sustainable offer status   | Green Premium product                                                                                                       |
| REACH Regulation           | <a href="#">REACH Declaration</a>                                                                                           |
| EU RoHS Directive          | Compliant<br><a href="#">EU RoHS Declaration</a>                                                                            |
| Mercury free               | Yes                                                                                                                         |
| China RoHS Regulation      | <a href="#">China RoHS declaration</a><br>Product out of China RoHS scope. Substance declaration for your information       |
| RoHS exemption information | Yes                                                                                                                         |
| Environmental Disclosure   | <a href="#">Product Environmental Profile</a>                                                                               |
| Circularity Profile        | <a href="#">End of Life Information</a>                                                                                     |
| WEEE                       | The product must be disposed on European Union markets following specific waste collection and never end up in rubbish bins |

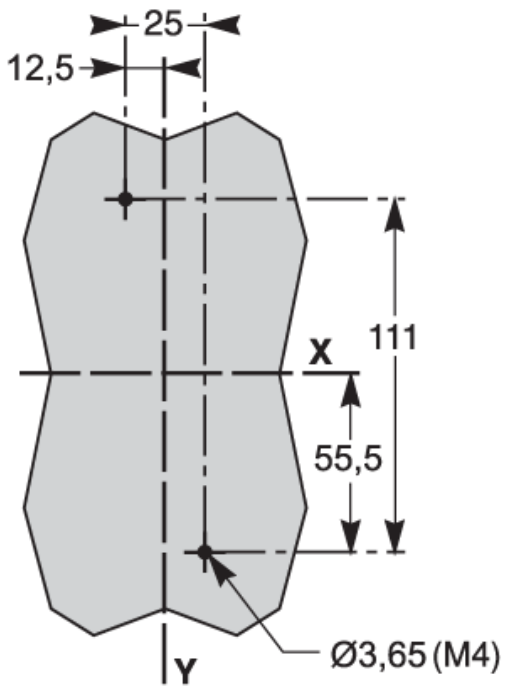
## Contractual warranty

|          |           |
|----------|-----------|
| Warranty | 18 months |
|----------|-----------|

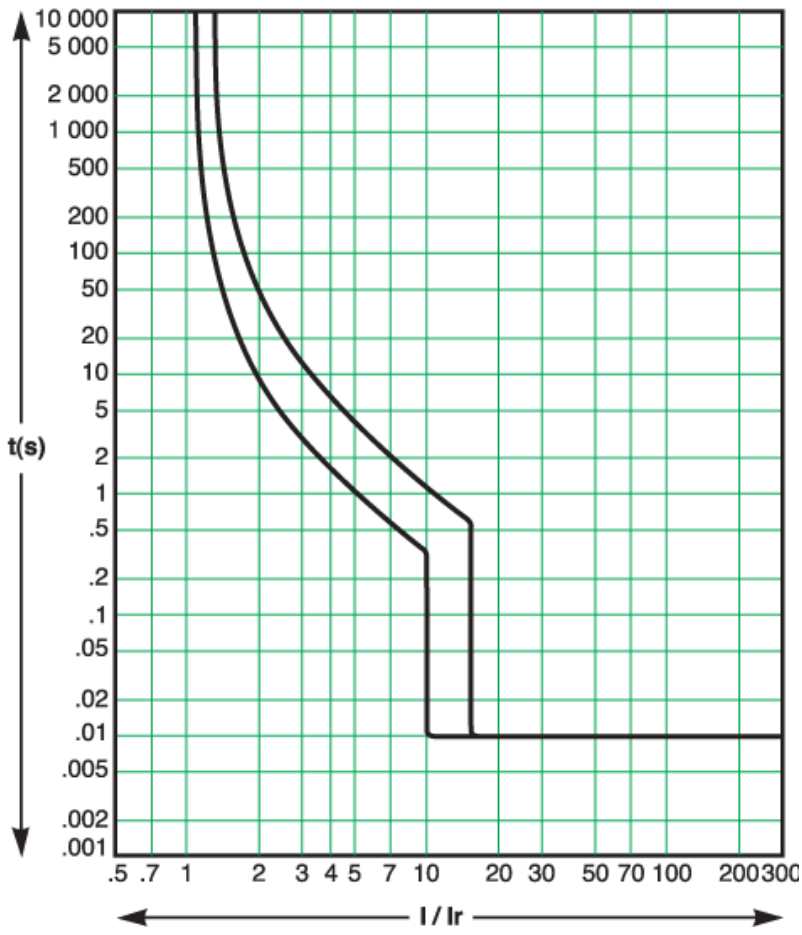
**Product data sheet**  
Dimensions Drawings

**LV510936**





# 63 A



Recommended replacement(s)