

# EH 35 F-C DS/ABS GY7035 - Upper part of housing



2201826

<https://www.phoenixcontact.com/in/products/2201826>

Please be informed that the data shown in this PDF document is generated from our Online Catalog. Please find the complete data in the user documentation. Our General Terms of Use for Downloads are valid.

DIN rail housing, Upper housing part, flat design, connection opening on both sides, width: 35.1 mm, height: 74.65 mm, depth: 36.95 mm, color: light grey (7035)



## Your advantages

- DIN rail or wall mounting for application-specific device attachment
- Easy design-in, thanks to variable housing form factor
- Complete flexibility, thanks to PCBs with horizontal, frontal, and orthogonal orientation to the front of the device
- Three cover versions for individual PCB connections
- Integration of a wide variety of PCB connection technologies for a functional device design

## Commercial Data

Item number	2201826
Packing unit	10 pc
Minimum order quantity	10 pc
Sales Key	ACH
Product Key	ACHCHC
GTIN	4046356911788
Weight per Piece (including packing)	15.84 g
Weight per Piece (excluding packing)	15.19 g
Customs tariff number	85472000
Country of origin	IN

## Technical Data

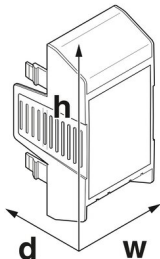
### Notes

Assembly instruction:	Refer to the data sheet for the range in the download area.
-----------------------	---

### Product properties

Product type	Upper housing part
Product family	EH...F-C DS
Type	Upper housing part, flat design, connection opening on both sides
Housing type	DIN rail housing
Ventilation openings present	no
Housing series	EH

### Dimensions

Dimensional drawing	
Width	35.1 mm
Height	74.65 mm
Depth	36.95 mm
Depth from base support surface	19.95 mm

### Material specifications

Color	light grey (7035)
Flammability rating according to UL 94	HB
Surface characteristics	untreated
Housing material	ABS

### Environmental and real-life conditions

#### Ambient conditions

Max. IP code to attain	IP20
Ambient temperature (operation)	-40 °C ... 80 °C (depending on power dissipation)
Ambient temperature (storage/transport)	-40 °C ... 55 °C
Ambient temperature (assembly)	-5 °C ... 80 °C
Relative humidity (storage/transport)	95 %

### PCB data

# EH 35 F-C DS/ABS GY7035 - Upper part of housing



2201826

<https://www.phoenixcontact.com/in/products/2201826>

Type of PCB mount	Latching
-------------------	----------

## Mounting

Mounting type	Snap in
Mounting position	Vertical (horizontal DIN rail)

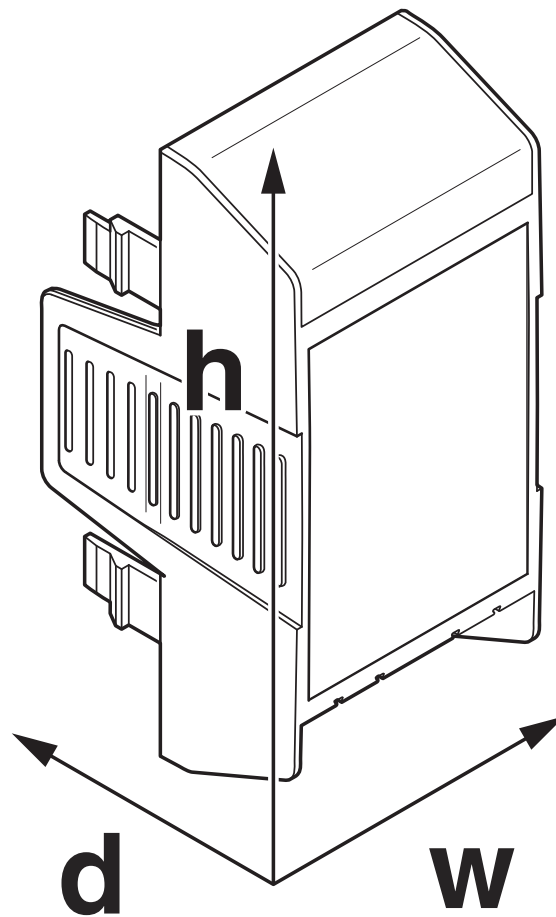
# EH 35 F-C DS/ABS GY7035 - Upper part of housing

2201826

<https://www.phoenixcontact.com/in/products/2201826>

## Drawings

Dimensional drawing



Schematic figure for illustrating the item dimensions. The figure is not of the desired product. For further details, refer to the product drawings in the "Downloads" tab.

# EH 35 F-C DS/ABS GY7035 - Upper part of housing



2201826

<https://www.phoenixcontact.com/in/products/2201826>

## Approvals



**EAC**

Approval ID: B.01687



**UL Recognized**

Approval ID: FILE E 240868

# EH 35 F-C DS/ABS GY7035 - Upper part of housing



2201826

<https://www.phoenixcontact.com/in/products/2201826>

## Classifications

### ECLASS

ECLASS-11.0

27182702

### ETIM

ETIM 8.0

EC001031

### UNSPSC

UNSPSC 21.0

31261500

# EH 35 F-C DS/ABS GY7035 - Upper part of housing



2201826

<https://www.phoenixcontact.com/in/products/2201826>

## Environmental Product Compliance

China RoHS	Environmentally friendly use period: unlimited = EFUP-e
	No hazardous substances above threshold values

2201826

<https://www.phoenixcontact.com/in/products/2201826>

## Mandatory Accessories

### MKDS 3/ 6-5,08 - PCB terminal block

1701144

<https://www.phoenixcontact.com/in/products/1701144>



PCB terminal block, nominal current: 24 A, rated voltage (III/2): 400 V, nominal cross section: 2.5 mm<sup>2</sup>, number of potentials: 6, number of rows: 1, number of positions per row: 6, product range: MKDS 3, pitch: 5.08 mm, connection method: Screw connection with tension sleeve, screw head form: L Slotted, mounting: Wave soldering, conductor/PCB connection direction: 0 °, color: green, Pin layout: Linear pinning, Solder pin [P]: 5 mm, number of solder pins per potential: 1, type of packaging: packed in cardboard. The article can be aligned to create different nos. of positions!

---

### MKKDSH 3/ 2 - PCB terminal block

1721045

<https://www.phoenixcontact.com/in/products/1721045>



PCB terminal block, nominal current: 24 A, rated voltage (III/2): 400 V, nominal cross section: 2.5 mm<sup>2</sup>, number of potentials: 2, number of rows: 1, number of positions per row: 2, product range: MKKDSH 3, pitch: 5 mm, connection method: Screw connection with tension sleeve, screw head form: L Slotted, mounting: Wave soldering, conductor/PCB connection direction: 0 °, color: green, Pin layout: Linear pinning, Solder pin [P]: 5 mm, number of solder pins per potential: 1, type of packaging: packed in cardboard. The article can be aligned to create different nos. of positions!



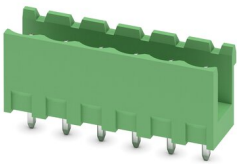
2201826

<https://www.phoenixcontact.com/in/products/2201826>

## MSTBV 2,5/ 6-G - PCB header

1753518

<https://www.phoenixcontact.com/in/products/1753518>



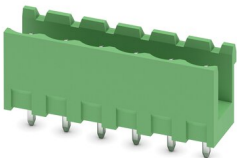
PCB headers, nominal cross section: 2.5 mm<sup>2</sup>, color: green, nominal current: 12 A, rated voltage (III/2): 320 V, contact surface: Tin, type of contact: Pin, number of potentials: 6, number of rows: 1, number of positions: 6, number of connections: 6, product range: MSTBV 2,5/..-G, pitch: 5 mm, mounting: Wave soldering, pin layout: Linear pinning, solder pin [P]: 3.9 mm, number of solder pins per potential: 1, plug-in system: COMBICON MSTB 2,5, Pin connector pattern alignment: Standard, locking: without, mounting: without, type of packaging: packed in cardboard

---

## MSTBV 2,5/ 6-G-5,08 - PCB header

1758050

<https://www.phoenixcontact.com/in/products/1758050>



PCB headers, nominal cross section: 2.5 mm<sup>2</sup>, color: green, nominal current: 12 A, rated voltage (III/2): 320 V, contact surface: Tin, type of contact: Pin, number of potentials: 6, number of rows: 1, number of positions: 6, number of connections: 6, product range: MSTBV 2,5/..-G, pitch: 5.08 mm, mounting: Wave soldering, pin layout: Linear pinning, solder pin [P]: 3.9 mm, number of solder pins per potential: 1, plug-in system: COMBICON MSTB 2,5, Pin connector pattern alignment: Standard, locking: without, mounting: without, type of packaging: packed in cardboard

# EH 35 F-C DS/ABS GY7035 - Upper part of housing

2201826

<https://www.phoenixcontact.com/in/products/2201826>

## PST 1,3/ 6-5,0 - Pin strip

1933228

<https://www.phoenixcontact.com/in/products/1933228>

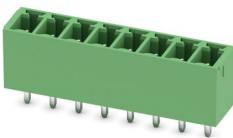


Pin strip, nominal cross section: 1.5 mm<sup>2</sup>, color: black, nominal current: 12 A (depends on the plug used), rated voltage (III/2): 320 V, contact surface: Tin, type of contact: Pin, number of potentials: 6, number of rows: 1, number of positions: 6, number of connections: 6, product range: PST 1,3/..-V, pitch: 5 mm, mounting: THR soldering, pin layout: Linear pinning, solder pin [P]: 3.5 mm, plug-in system: COMBICON PST 1,3, locking: without, mounting: without, type of packaging: packed in cardboard, The maximum current depends on the plug used. The lower of the two current values apply for plug and pin strip. The pin strip is made of highly temperature resistant plastic and is thus suitable for the reflow process.

## MCV 1,5/ 8-G-3,81 - PCB header

1803484

<https://www.phoenixcontact.com/in/products/1803484>



PCB headers, nominal cross section: 1.5 mm<sup>2</sup>, color: green, nominal current: 8 A, rated voltage (III/2): 160 V, contact surface: Tin, type of contact: Pin, number of potentials: 8, number of rows: 1, number of positions: 8, number of connections: 8, product range: MCV 1,5/..-G, pitch: 3.81 mm, mounting: Wave soldering, pin layout: Linear pinning, solder pin [P]: 3.4 mm, number of solder pins per potential: 1, plug-in system: COMBICON MC 1,5, Pin connector pattern alignment: Standard, locking: without, mounting: without, type of packaging: packed in cardboard

## Accessories

# EH 35 F-C DS/ABS GY7035 - Upper part of housing



2201826

<https://www.phoenixcontact.com/in/products/2201826>

## EH 17,5 F-FP/ABS BK9005 - Filler plugs

2201846

<https://www.phoenixcontact.com/in/products/2201846>



DIN rail housing, Filler plug for unoccupied terminal points (flat design), with vents, width: 16.3 mm, height: 33.39 mm, depth: 13.67 mm, color: black (9005)

---

## EH 17,5 F-FP/ABS GY7035 - Filler plugs

2201847

<https://www.phoenixcontact.com/in/products/2201847>



DIN rail housing, Filler plug for unoccupied terminal points (flat design), with vents, width: 16.3 mm, height: 33.39 mm, depth: 13.67 mm, color: light grey (7035)

---

Phoenix Contact 2023 © - all rights reserved  
<https://www.phoenixcontact.com>

PHOENIX CONTACT (I) Pvt. Ltd.  
A-58/2, Okhla Industrial Area, Phase - II, New Delhi-110 020

+91.1275.71420  
[info@phoenixcontact.co.in](mailto:info@phoenixcontact.co.in)