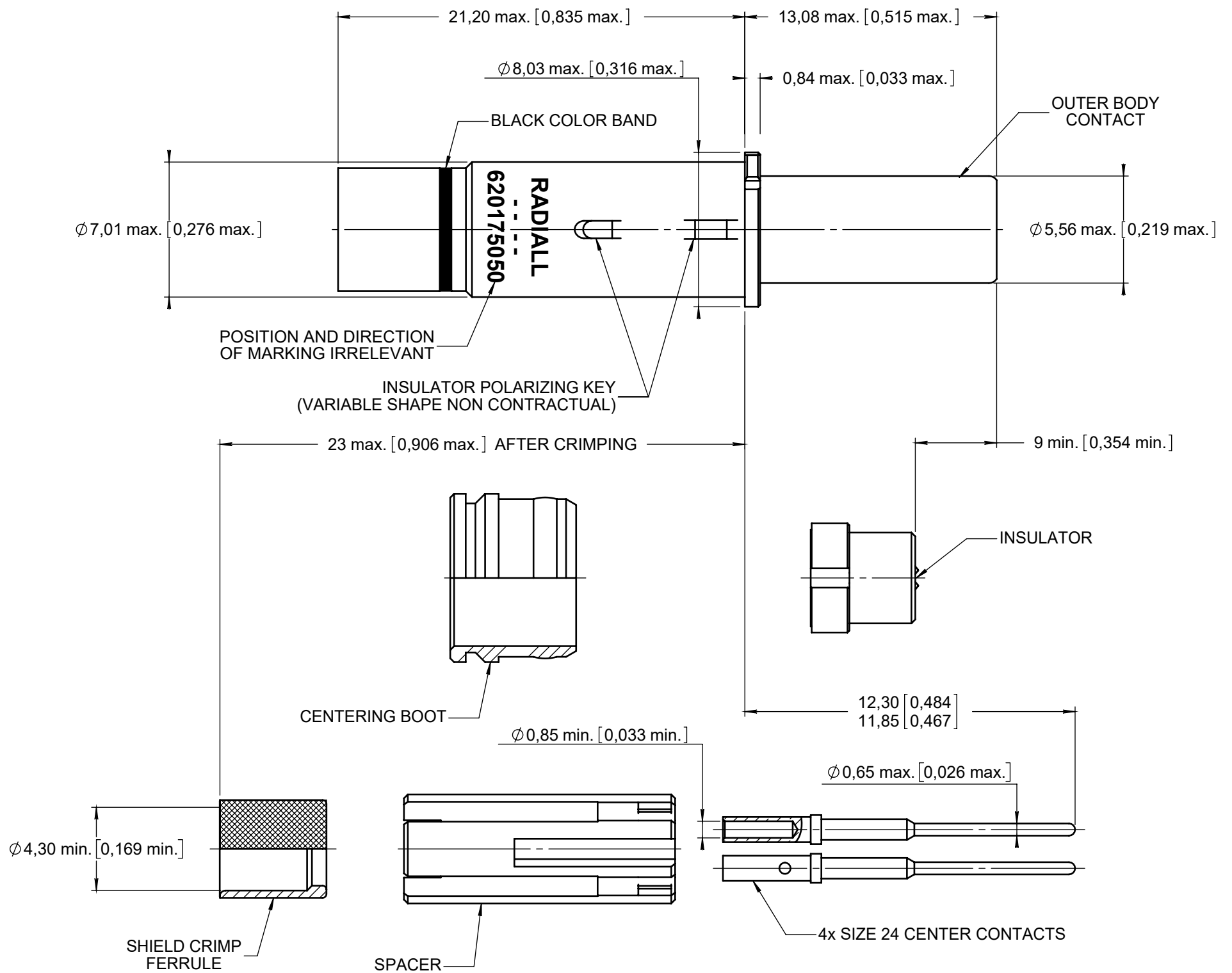


Series
NSX

NON-ENVIRONMENTAL SIZE 8 QUADRAX PIN CONTACT
FOR TENSOLITE NF24Q100 (BMS13-72T03C04G024), ECS 422404
PIC E51424 AND THERMAX MX100Q24 CABLES

Issue:
May 14, 2018

Page
1/1



MATERIAL:

- OUTER, CENTER CONTACTS AND FERRULE : COPPER ALLOY
- INSULATOR AND CENTERING BOOT : PTFE OR EQUIVALENT
- SPACER : THERMOPLASTIC

FINISH:

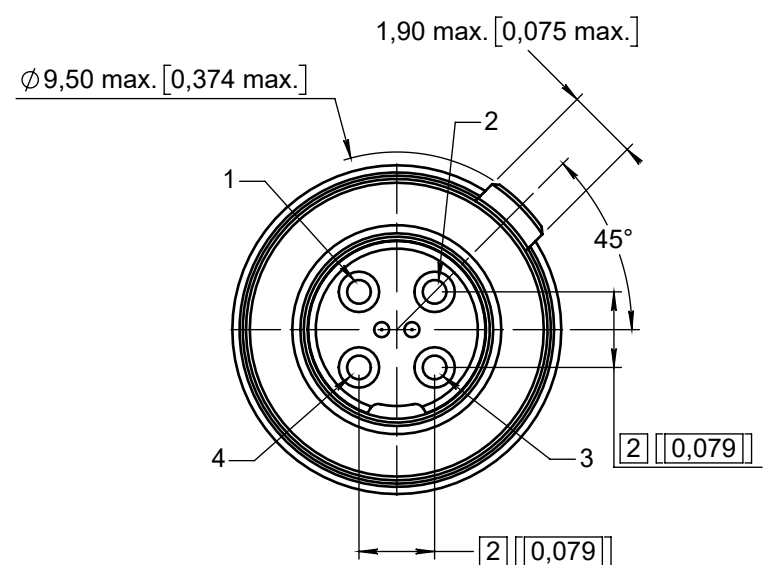
- ALL METAL PARTS: .00005 INCH OF GOLD OVER NICKEL PLATED

EXTRACTION TOOL:

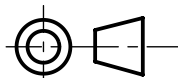
- M81969/28.03 (RADIALL: 282549001) OR M81969/14-06

WIRING INSTRUCTIONS: RP57339

ENGAGING FACE



DIMENSIONS : mm (inch are given for information only)



Estimated weight : 4,10 g

CREATION	DATE	REVISIONS	NAME	APPROVED
	May 14, 18	TDS revised according to the new Radiall generic template for quadrax contacts	Branjonneau V.	Legendre T.
PEN: M030400018E	Nov. 02, 15	Corrected spacer diameter	Branjonneau V.	Legendre T.
	Sep. 04, 15	Add PIC E5424 cable	Pécault B.	Legendre T.
NOM: LEGENDRE T.	Sept. 05, 12	Updated way of marking	Legendre T.	Dupuis V.
DATE: Nov. 19, 2003	Feb. 22, 12	Add BMS13-72T03C04G024 cable	Moutault W.	Dupuis V.
APPR.: LAHOREAU C.	June 08, 09	Added ECS and Thermax cables	Macari JP.	Legendre T.
	Issue	Revisions	Name	Approved