

# EMG 10-REL/KSR-G 24/21-LC - Relay Module



2942153

<https://www.phoenixcontact.com/in/products/2942153>

Please be informed that the data shown in this PDF document is generated from our Online Catalog. Please find the complete data in the user documentation. Our General Terms of Use for Downloads are valid.



Relay module, with soldered-in miniature switching relay, contact (AgNi): medium to large loads, 1 changeover contact, input voltage 24 V DC

## Your advantages

- Integrated input circuit and interference suppression circuit

## Commercial Data

Item number	2942153
Packing unit	10 pc
Minimum order quantity	10 pc
Sales Key	CK6
Product Key	CK6142
Catalog Page	Page 134 (IF-2011)
GTIN	4017918080648
Weight per Piece (including packing)	41 g
Weight per Piece (excluding packing)	41 g
Customs tariff number	85364190
Country of origin	DE

## Technical Data

### Notes

#### Utilization restriction

EMC note	EMC: class A product, see manufacturer's declaration in the download area
----------	---

### Product properties

Product type	Relay Module
Product family	EMG
Application	Universal
Operating mode	100% operating factor
Mechanical service life	approx. $2 \times 10^7$ cycles

#### Insulation characteristics

Insulation	Basic insulation
------------	------------------

#### Insulation characteristics

Insulation	Basic insulation
Overvoltage category	III
Pollution degree	2

### Electrical properties

Maximum power dissipation for nominal condition	0.5 W
Test voltage (Winding/contact)	4 kV AC (50 Hz, 1 min., winding/contact)

### Input data

#### Coil side

Nominal input voltage $U_N$	24 V DC
Input voltage range	19.2 V DC ... 26.4 V DC (20 °C)
Typical input current at $U_N$	21 mA
Typical response time	7 ms
Typical release time	11 ms
Protective circuit	Reverse polarity protection; Polarity protection diode Freewheeling diode; Freewheeling diode
Operating voltage display	Yellow LED

### Output data

#### Switching

Contact type	1 changeover contact
Type of switch contact	Single contact
Drive and function	monostable
Drive (polarity)	polarized

# EMG 10-REL/KSR-G 24/21-LC - Relay Module



2942153

<https://www.phoenixcontact.com/in/products/2942153>

Contact material	AgNi
Maximum switching voltage	250 V AC/DC
Limiting continuous current	6 A
Maximum inrush current	8 A
Interrupting rating (ohmic load) max.	140 W (at 24 V DC) 60 W (at 48 V DC) 45 W (at 60 V DC) 35 W (at 110 V DC) 55 W (at 220 V DC) 1500 VA (for 250 V AC)

## Connection data

### Coil side

Connection method	Screw connection
Stripping length	8 mm
Screw thread	M3
Conductor cross section rigid	0.2 mm <sup>2</sup> ... 4 mm <sup>2</sup>
Conductor cross section flexible	0.2 mm <sup>2</sup> ... 2.5 mm <sup>2</sup>
Conductor cross section AWG	24 ... 12

### Contact side

Connection method	Screw connection
Stripping length	8 mm
Screw thread	M3
Conductor cross section rigid	0.2 mm <sup>2</sup> ... 4 mm <sup>2</sup>
Conductor cross section flexible	0.2 mm <sup>2</sup> ... 2.5 mm <sup>2</sup>
Conductor cross section AWG	24 ... 12

## Dimensions

Width	10.6 mm
Height	75 mm
Depth	62.5 mm

## Environmental and real-life conditions

### Ambient conditions

Ambient temperature (operation)	-20 °C ... 40 °C
Ambient temperature (storage/transport)	-20 °C ... 70 °C

## Standards and regulations

Standards/regulations	IEC 60664 EN 50178
-----------------------	-----------------------

## Mounting

Mounting type	DIN rail mounting
---------------	-------------------

# EMG 10-REL/KSR-G 24/21-LC - Relay Module



2942153

<https://www.phoenixcontact.com/in/products/2942153>

Assembly instructions	in rows with zero spacing
Mounting position	any

# EMG 10-REL/KSR-G 24/21-LC - Relay Module

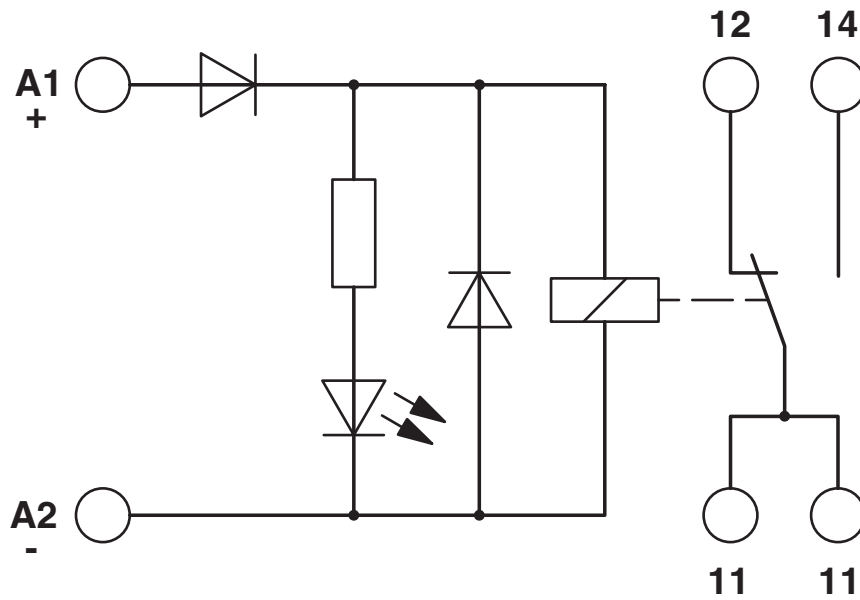


2942153

<https://www.phoenixcontact.com/in/products/2942153>

## Drawings

Circuit diagram



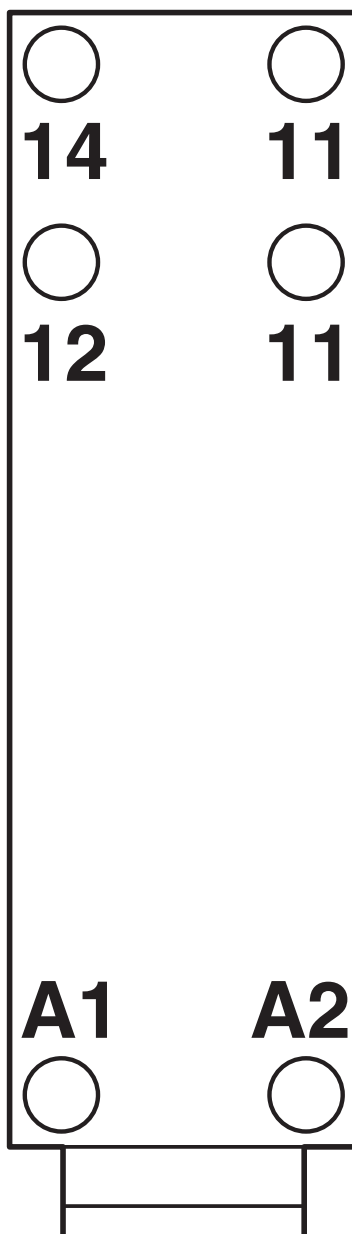
# EMG 10-REL/KSR-G 24/21-LC - Relay Module

2942153

<https://www.phoenixcontact.com/in/products/2942153>



Connection diagram



# EMG 10-REL/KSR-G 24/21-LC - Relay Module



2942153

<https://www.phoenixcontact.com/in/products/2942153>

## Approvals



**cUL Recognized**  
Approval ID: FILE E 238705



**UL Recognized**  
Approval ID: FILE E 238705



**EAC**  
Approval ID: TR\_TS\_D\_00573\_c



**EAC**  
Approval ID: RU\*C-DE.\*08.B.00010

# EMG 10-REL/KSR-G 24/21-LC - Relay Module



2942153

<https://www.phoenixcontact.com/in/products/2942153>

## Classifications

### ECLASS

ECLASS-11.0	27371601
ECLASS-12.0	27371601
ECLASS-13.0	27371601

### ETIM

ETIM 8.0	EC001437
----------	----------

### UNSPSC

UNSPSC 21.0	39122300
-------------	----------



# EMG 10-REL/KSR-G 24/21-LC - Relay Module



2942153

<https://www.phoenixcontact.com/in/products/2942153>

## Environmental Product Compliance

REACH SVHC	Lead 7439-92-1
China RoHS	Environmentally Friendly Use Period = 50 years
	For information on hazardous substances, refer to the manufacturer's declaration available under "Downloads"

# EMG 10-REL/KSR-G 24/21-LC - Relay Module



2942153

<https://www.phoenixcontact.com/in/products/2942153>

## Accessories

### EMG-SGKS 10 - Marking material

2947585

<https://www.phoenixcontact.com/in/products/2947585>



Equipment marker, narrow

---

Phoenix Contact 2023 © - all rights reserved  
<https://www.phoenixcontact.com>

PHOENIX CONTACT (I) Pvt. Ltd.  
A-58/2, Okhla Industrial Area, Phase - II, New Delhi-110 020

+91.1275.71420  
[info@phoenixcontact.co.in](mailto:info@phoenixcontact.co.in)