

PT 1X2-BE - Surge protection base-element

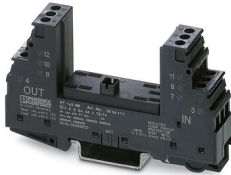


2856113

<https://www.phoenixcontact.com/in/products/2856113>

Please be informed that the data shown in this PDF document is generated from our Online Catalog. Please find the complete data in the user documentation. Our General Terms of Use for Downloads are valid.

Base element for protective plug PT with protective circuit for a 2-core floating signal circuit.
Mounting on NS 35/7.5 und NS 35/15, housing width: 17.5 mm.



Your advantages

- Maximum ease of maintenance, thanks to the 2-piece design
- Easy selection for all possible demands in MCR applications with a complete product portfolio
- The signal is not influenced during maintenance work, thanks to the impedance-neutral insertion and removal of protective plugs

Commercial Data

| | |
|--------------------------------------|---------------------|
| Item number | 2856113 |
| Packing unit | 10 pc |
| Minimum order quantity | 1 pc |
| Sales Key | CL2 |
| Product Key | CL2111 |
| Catalog Page | Page 122 (C-4-2019) |
| GTIN | 4017918599287 |
| Weight per Piece (including packing) | 53.7 g |
| Weight per Piece (excluding packing) | 49.03 g |
| Customs tariff number | 85363010 |
| Country of origin | DE |

PT 1X2-BE - Surge protection base-element

2856113

<https://www.phoenixcontact.com/in/products/2856113>

Technical Data

Notes

| | |
|--------------------|---|
| Notes on operation | When the PT...-BE base elements are used, the connections 9/10 (GND) are directly connected to the DIN rail via the metal mounting foot. |
|--------------------|---|

Product properties

| | |
|--------------------------------|---------------------------------|
| Type | Base element, DIN rail mounting |
| Product type | Base element |
| Product family | PLUGTRAB PT |
| Number of positions | 2 |
| Surge protection fault message | none |
| Wire pairs per module | 1 |

Insulation characteristics

| | |
|----------------------|-----|
| Overvoltage category | III |
| Pollution degree | 2 |

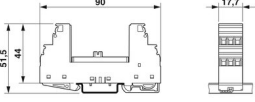
Electrical properties

| | |
|-----------------------|---------|
| Nominal voltage U_N | 48 V DC |
|-----------------------|---------|

Connection data

| | |
|----------------------------------|---|
| Connection method | Screw connection |
| Screw thread | M3 |
| Tightening torque | 0.5 Nm |
| Conductor cross section flexible | 0.2 mm ² ... 2.5 mm ² |
| Conductor cross section rigid | 0.2 mm ² ... 4 mm ² |
| Conductor cross section AWG | 24 ... 12 |

Dimensions

| | |
|---------------------|--|
| Dimensional drawing |  |
| Width | 17.7 mm |
| Height | 90 mm |
| Depth | 51.5 mm (incl. DIN rail 7.5 mm) |
| Horizontal pitch | 1 Div. |

Material specifications

| | |
|--|--------------------|
| Color | jet black RAL 9005 |
| Flammability rating according to UL 94 | V-0 |
| Housing material | PA 6.6 |

PT 1X2-BE - Surge protection base-element



2856113

<https://www.phoenixcontact.com/in/products/2856113>

Mechanical properties

Mechanical data

| | |
|-----------------|----|
| Open side panel | No |
|-----------------|----|

Protective circuit

| | |
|----------------------------------|-----------------------------------|
| Direction of action | Signal Ground/Shield-Earth Ground |
| Maximum continuous voltage U_C | 53 V DC |
| | 37 V AC |
| Rated current | 450 mA (45 °C) |
| Resistance per path | 2.2 Ω \pm 10 % |
| Surge protection fault message | none |
| Max. required back-up fuse | 500 mA (T) |

Environmental and real-life conditions

Ambient conditions

| | |
|---|---|
| Degree of protection | IP20 |
| Ambient temperature (operation) | -40 °C ... 85 °C |
| Ambient temperature (storage/transport) | -40 °C ... 85 °C |
| Altitude | \leq 2000 m (amsl (above mean sea level)) |

Standards and regulations

| | |
|--------------------------|--------------|
| Standards/specifications | IEC 61643-21 |
| Standards/specifications | EN 61643-21 |

Mounting

| | |
|---------------|-----------------|
| Mounting type | DIN rail: 35 mm |
|---------------|-----------------|

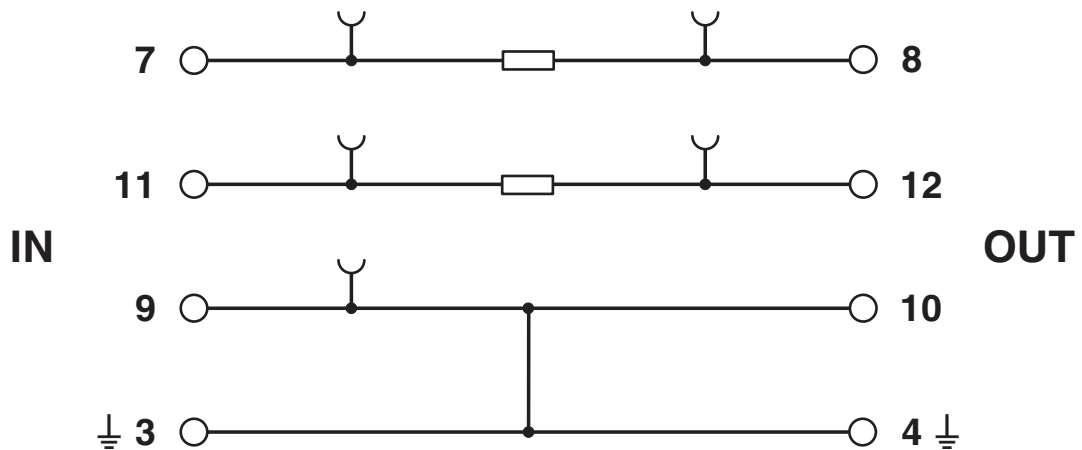
PT 1X2-BE - Surge protection base-element

2856113

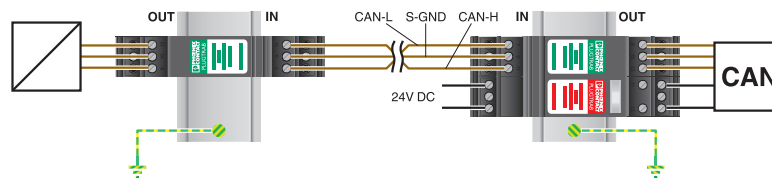
<https://www.phoenixcontact.com/in/products/2856113>

Drawings

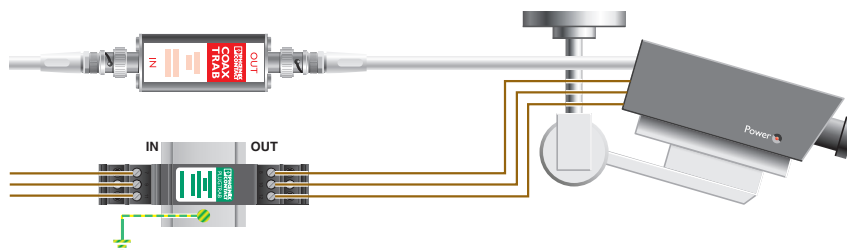
Circuit diagram



Application drawing



Application drawing

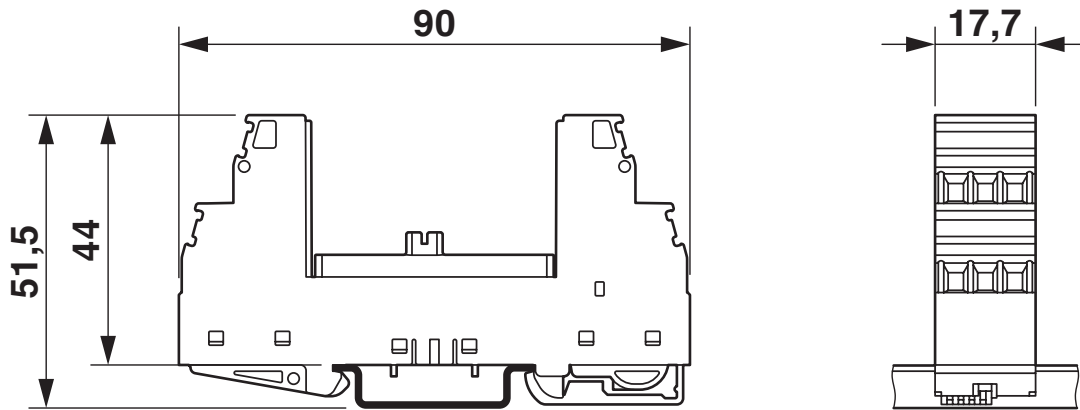


PT 1X2-BE - Surge protection base-element

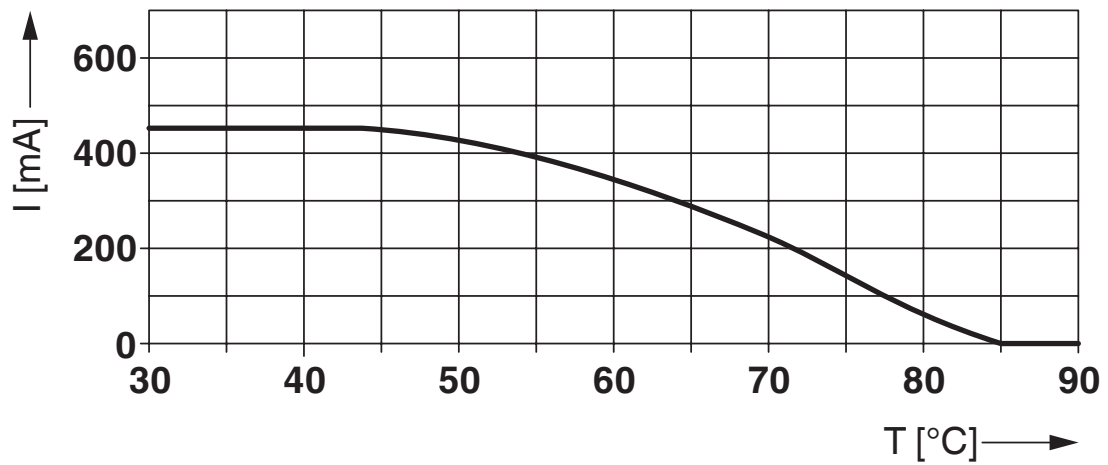
2856113

<https://www.phoenixcontact.com/in/products/2856113>

Dimensional drawing



Diagram



PT 1X2-BE - Surge protection base-element



2856113

<https://www.phoenixcontact.com/in/products/2856113>

Approvals



EAC

Approval ID: EAC-Zulassung



DNV GL

Approval ID: TAE00001N6



EAC

Approval ID: RU C-DE.*09.B.00169



UL Listed

Approval ID: FILE E 138168



CCC

Approval ID: 2020322316002243



cUL Listed

Approval ID: FILE E 333250



UL Listed

Approval ID: FILE E 333250



CCC

Approval ID: 2020322316003150



NEPSI

Approval ID: GYJ20.1180X



ATEX

Approval ID: DEKRA 22ATEX0044 X



IECEx

Approval ID: IECEx DEK 22.0031X



UKCA-EX

Approval ID: DEKRA 22UKEX6005X

PT 1X2-BE - Surge protection base-element

2856113

<https://www.phoenixcontact.com/in/products/2856113>



PT 1X2-BE - Surge protection base-element



2856113

<https://www.phoenixcontact.com/in/products/2856113>

Classifications

ECLASS

ECLASS-11.0

27130803

ETIM

ETIM 8.0

EC000472

UNSPSC

UNSPSC 21.0

39121600

PT 1X2-BE - Surge protection base-element



2856113

<https://www.phoenixcontact.com/in/products/2856113>

Environmental Product Compliance

| | |
|------------|---|
| China RoHS | Environmentally friendly use period: unlimited = EFUP-e |
| | No hazardous substances above threshold values |

PT 1X2-BE - Surge protection base-element

2856113

<https://www.phoenixcontact.com/in/products/2856113>

Accessories

ZB 5,LGS:FORTL.ZAHLEN - Zack marker strip

1050017

<https://www.phoenixcontact.com/in/products/1050017>



Zack marker strip, Strip, white, labeled, printed horizontally: consecutive numbers 1 ... 10, 11 ... 20, etc. up to 491 ... 500, mounting type: snapped, for terminal block width: 5.2 mm, lettering field size: 5.15 x 10.5 mm, Number of individual labels: 10

ZB 5 :UNBEDRUCKT - Zack marker strip

1050004

<https://www.phoenixcontact.com/in/products/1050004>



Zack marker strip, Strip, white, unlabeled, can be labeled with: PLOTMARK, CMS-P1-PLOTTER, mounting type: snapped, for terminal block width: 5.2 mm, lettering field size: 5.1 x 10.5 mm, Number of individual labels: 10

PT 1X2-BE - Surge protection base-element

2856113

<https://www.phoenixcontact.com/in/products/2856113>

ZB 5,LGS:L1-N,PE - Zack marker strip

1050415

<https://www.phoenixcontact.com/in/products/1050415>

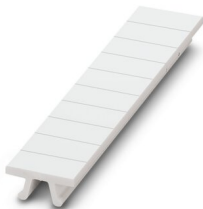


Zack marker strip, Strip, white, labeled, horizontal: L1, L2, L3, N, PE, L1, L2, L3, N, PE, mounting type: snapped, for terminal block width: 5.2 mm, lettering field size: 5.15 x 10.5 mm, Number of individual labels: 10

ZB 5,8:UNBEDRUCKT - Zack marker strip

2715209

<https://www.phoenixcontact.com/in/products/2715209>



Zack marker strip, Strip, white, unlabeled, can be labeled with: PLOTMARK, CMS-P1-PLOTTER, mounting type: snapped, for terminal block width: 5.8 mm, lettering field size: 5.75 x 10.5 mm, Number of individual labels: 10

PT 1X2-BE - Surge protection base-element

2856113

<https://www.phoenixcontact.com/in/products/2856113>



X-PEN 0,35 - Marker pen

0811228

<https://www.phoenixcontact.com/in/products/0811228>



Marker pen without ink cartridge, for manual labeling of markers, labeling extremely wipe-proof, line thickness 0.35 mm

B-STIFT - Marker pen

1051993

<https://www.phoenixcontact.com/in/products/1051993>



Marker pen, for manual labeling of unprinted Zack strips, smear-proof and waterproof, line thickness 0.5 mm

PT 1X2-BE - Surge protection base-element

2856113

<https://www.phoenixcontact.com/in/products/2856113>



ZBF 5:UNBEDRUCKT - Zack Marker strip, flat

0808642

<https://www.phoenixcontact.com/in/products/0808642>



Zack Marker strip, flat, Strip, white, unlabeled, can be labeled with: PLOTMARK, CMS-P1-PLOTTER, mounting type: snapped, for terminal block width: 5 mm, lettering field size: 5.1 x 5.2 mm, Number of individual labels: 10

PT 1X2- 5DC-ST - Surge protection plug

2856016

<https://www.phoenixcontact.com/in/products/2856016>



PT protective connector with protective circuit for a 2-wire floating signal circuit. HART-compatible.

PT 1X2-BE - Surge protection base-element

2856113

<https://www.phoenixcontact.com/in/products/2856113>



PT 1X2-12AC-ST - Surge protection plug

2856045

<https://www.phoenixcontact.com/in/products/2856045>



PT protective connector with protective circuit for a 2-wire floating signal circuit.
HART-compatible.

PT 1X2-12DC-ST - Surge protection plug

2856029

<https://www.phoenixcontact.com/in/products/2856029>



PT protective connector with protective circuit for a 2-wire floating signal circuit.
HART-compatible.

PT 1X2-BE - Surge protection base-element

2856113

<https://www.phoenixcontact.com/in/products/2856113>



PT 1X2-24AC-ST - Surge protection plug

2856058

<https://www.phoenixcontact.com/in/products/2856058>



PT protective connector with protective circuit for a 2-wire floating signal circuit.
HART-compatible.

PT 1X2-24DC-ST - Surge protection plug

2856032

<https://www.phoenixcontact.com/in/products/2856032>



PT protective connector with protective circuit for a 2-wire floating signal circuit.
HART-compatible.

PT 1X2-BE - Surge protection base-element

2856113

<https://www.phoenixcontact.com/in/products/2856113>



PT 1X2-48DC-ST - Surge protection plug

2803658

<https://www.phoenixcontact.com/in/products/2803658>



Protective plug PT with protective circuit for a 2-wire floating signal circuit.

PT 3-PB-ST - Surge protection plug

2858030

<https://www.phoenixcontact.com/in/products/2858030>



Surge protection plug for the base element, normal mode voltage coarse and fine protection for two floating signal wires in IT, common mode voltage coarse protection to ground.

PT 1X2-BE - Surge protection base-element

2856113

<https://www.phoenixcontact.com/in/products/2856113>



PT 2-TELE-ST - Surge protection plug

2838733

<https://www.phoenixcontact.com/in/products/2838733>



Surge protection plug for base element, for protecting a double conductor of analog telecommunication interfaces.

SSA 3-6 - Shield connection

2839295

<https://www.phoenixcontact.com/in/products/2839295>



Shield fast connection for 3 ... 6 mm cable diameter. Potential connecting cable: 200 mm, 1 mm², color: black

PT 1X2-BE - Surge protection base-element



2856113

<https://www.phoenixcontact.com/in/products/2856113>

SSA 5-10 - Shield connection

2839512

<https://www.phoenixcontact.com/in/products/2839512>



Shield fast connection for 5 ... 10 mm cable diameter. Potential connecting cable:
200 mm, 1 mm², color: black

Phoenix Contact 2023 © - all rights reserved

<https://www.phoenixcontact.com>

PHOENIX CONTACT (I) Pvt. Ltd.

A-58/2, Okhla Industrial Area, Phase - II, New Delhi-110 020

+91.1275.71420

info@phoenixcontact.co.in