

HC-B-G-M40-PLRBK - Cable gland



1407672

<https://www.phoenixcontact.com/in/products/1407672>

Please be informed that the data shown in this PDF document is generated from our Online Catalog. Please find the complete data in the user documentation. Our General Terms of Use for Downloads are valid.



EVO plastic cable gland with bayonet locking, for housing series B, size M40, cable diameter: 19 ... 28 mm

Commercial Data

Item number	1407672
Packing unit	1 pc
Minimum order quantity	1 pc
Sales Key	BF7
Product Key	BF7APL
Catalog Page	Page 604 (C-2-2019)
GTIN	4046356776400
Weight per Piece (including packing)	65.4 g
Weight per Piece (excluding packing)	65.3 g
Customs tariff number	39269097
Country of origin	PL

HC-B-G-M40-PLRBK - Cable gland

1407672

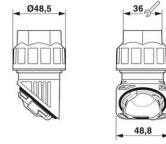
<https://www.phoenixcontact.com/in/products/1407672>

Technical Data

Product properties

Product type	Cable gland with bayonet locking
No. of conductors	1
Type of the screw connection	M40
Shielded	no

Dimensions

Dimensional drawing	
Width	48.8 mm
Height	81.5 mm
Depth	74.8 mm
Wrench size, union nut	36 mm

Material specifications

Color	black
Material Pressure screw	PA
Flammability rating according to UL 94	V0 / V2
Seal material O-ring	NBR
Seal material Cable seal	NBR
Material for screw connection	PA

Cable/line

External cable diameter	19 mm ... 28 mm
Tightening torque, union nut	7.50 Nm

Mechanical properties

Mechanical data

Type of the screw connection	M40
------------------------------	-----

Environmental and real-life conditions

Ambient conditions

Degree of protection	IP66
	12 (UL 50e)
Ambient temperature (operation)	-40 °C ... 100 °C

Mounting

Assembly instructions	Bayonet locking max. 3x can be removed
-----------------------	--

HC-B-G-M40-PLRBK - Cable gland

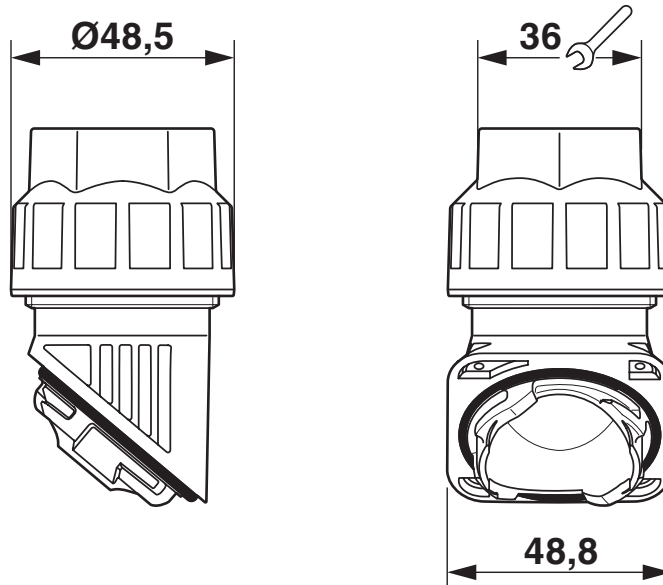
1407672

<https://www.phoenixcontact.com/in/products/1407672>



Drawings

Dimensional drawing



Dimensional drawing

HC-B-G-M40-PLRBK - Cable gland



1407672

<https://www.phoenixcontact.com/in/products/1407672>

Approvals



cUL Recognized
Approval ID: E255026



UL Recognized
Approval ID: E255026



EAC
Approval ID: RU C-DE.AI30.B.01102



EAC
Approval ID: RU D-DE.HB35.B.00387

HC-B-G-M40-PLRBK - Cable gland



1407672

<https://www.phoenixcontact.com/in/products/1407672>

Classifications

ECLASS

ECLASS-11.0	27144432
ECLASS-12.0	27140801
ECLASS-13.0	27140801

ETIM

ETIM 8.0	EC000441
----------	----------

UNSPSC

UNSPSC 21.0	39121300
-------------	----------

HC-B-G-M40-PLRBK - Cable gland



1407672

<https://www.phoenixcontact.com/in/products/1407672>

Environmental Product Compliance

China RoHS	Environmentally friendly use period: unlimited = EFUP-e
	No hazardous substances above threshold values

HC-B-G-M40-PLRBK - Cable gland



1407672

<https://www.phoenixcontact.com/in/products/1407672>

Accessories

WP-GR HF CTA M40 BK - Corrugated tube screw connection

3241223

<https://www.phoenixcontact.com/in/products/3241223>



Corrugated pipe adapter, with M40 internal thread, straight, black, IP66, for connecting corrugated pipes to HEAVYCON EVO plastic cable glands or ADVANCE plastic housings.

SEALING PLUG 25X30 RD - Closing cap

1421863

<https://www.phoenixcontact.com/in/products/1421863>



Closing cap, color: red

Phoenix Contact 2023 © - all rights reserved

<https://www.phoenixcontact.com>

PHOENIX CONTACT (I) Pvt. Ltd.

A-58/2, Okhla Industrial Area, Phase - II, New Delhi-110 020

+91.1275.71420

info@phoenixcontact.co.in