

# HC-DD72-I-CT-M - Contact insert



1584075

<https://www.phoenixcontact.com/in/products/1584075>

Please be informed that the data shown in this PDF document is generated from our Online Catalog. Please find the complete data in the user documentation. Our General Terms of Use for Downloads are valid.

HEAVYCON male insert, DD72 series, 72-pos., crimp connection



## Your advantages

- Can be used in rail vehicles, satisfy DIN EN 45545-2 with requirement sets R22, R23, and R24 in hazard levels HL1, HL2, and HL3.

## Commercial Data

Item number	1584075
Packing unit	1 pc
Minimum order quantity	1 pc
Sales Key	BF7
Product Key	BF7ABF
Catalog Page	Page 539 (C-2-2019)
GTIN	4046356133388
Weight per Piece (including packing)	54.3 g
Weight per Piece (excluding packing)	54.2 g
Customs tariff number	85389099
Country of origin	CN

# HC-DD72-I-CT-M - Contact insert



1584075

<https://www.phoenixcontact.com/in/products/1584075>

## Technical Data

### Notes

General	For HEAVYCON ADVANCE and HEAVYCON housing of type B16, crimp contacts: CK 1,6-ED... (not included in scope of supply)
General	Connectors may be operated only when there is no load/voltage.
General	It is imperative that guide pins (HC-CST) and sockets (HC-CBU) are used to prevent tip collision due to misalignment.

### Mounting

Assembly instructions	To ensure correct use, installation in housing with IP54 protection or better is required
-----------------------	---

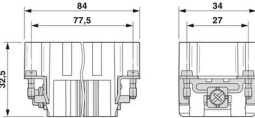
### Product properties

Type	B16 B32
Product type	Contact insert with a fixed no. of positions
Number of positions	72
Connection profile	72+PE
Contact numbering	1 - 72
Application	Signal
Number of connections per position	1
Contact type	turned rolled
Series	HC-DD

### Insulation characteristics

Overvoltage category	III
Degree of pollution	3

### Dimensions

Dimensional drawing	
Width	34 mm
Height	32.5 mm
Length	84 mm
Drill hole distance, horizontal	77.5 mm
Drill hole distance, vertical	27 mm

### Mechanical characteristics

Minimum housing height	72 mm
Contact diameter	1.6 mm

# HC-DD72-I-CT-M - Contact insert



1584075

<https://www.phoenixcontact.com/in/products/1584075>

## Electrical properties

Rated voltage (III/3)	250 V
Rated surge voltage	4 kV
Rated current	10 A
SCCR	5 kA (UL 2237)

## Mechanical properties

### Mechanical data

Insertion/withdrawal cycles	≥ 500
-----------------------------	-------

## Material specifications

Flammability rating according to UL 94	V0
Contact material	Copper alloy
Contact surface material	Ag (alternatively Au)
Contact carrier material	PC
Standards/regulations	PC: Fire protection in rail vehicles - requirement sets R22, R23, and R24 acc. to DIN EN 45545-2 (Risk level HL1 - HL3)

## Environmental and real-life conditions

### Ambient conditions

Ambient temperature (operation)	-40 °C ... 125 °C (including heating up of contacts)
---------------------------------	--

## Standards and regulations

Constructional and testing regulations	DIN VDE 0627/86
	DIN VDE 0110/02.79
	DIN VDE 0110-1/04.97
	IEC 60664-1, DIN IEC 60512
	IEC 60352
Tests	DIN VDE 0627/86
	DIN VDE 0110/02.79
	DIN VDE 0110-1/04.97
	IEC 60664-1, DIN IEC 60512
	IEC 60352

### Testing

Standards/regulations	PC: Fire protection in rail vehicles - requirement sets R22, R23, and R24 acc. to DIN EN 45545-2 (Risk level HL1 - HL3)
-----------------------	---

# HC-DD72-I-CT-M - Contact insert

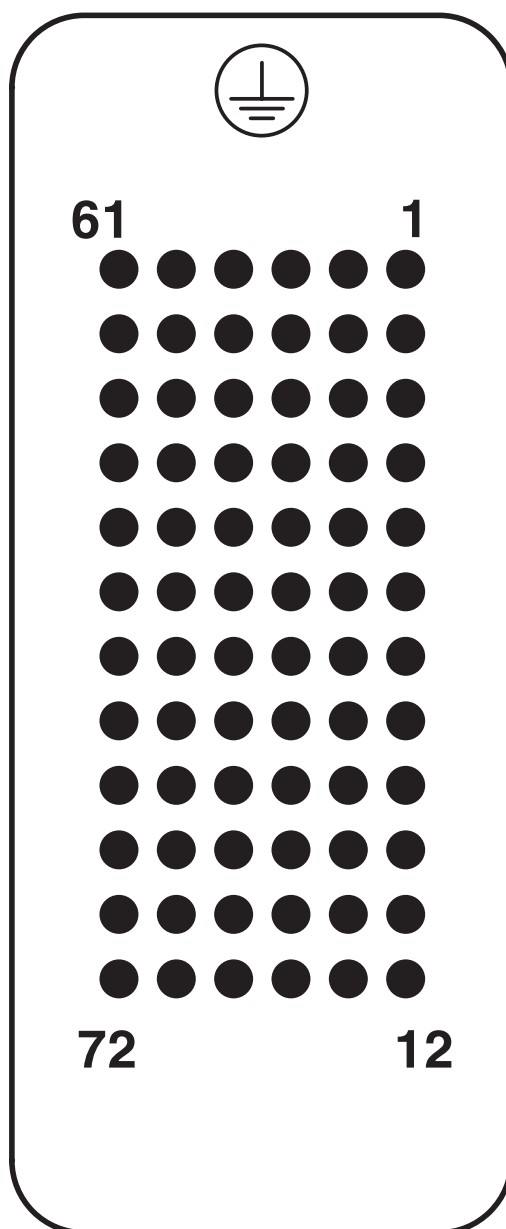
1584075

<https://www.phoenixcontact.com/in/products/1584075>



## Drawings

Schematic diagram



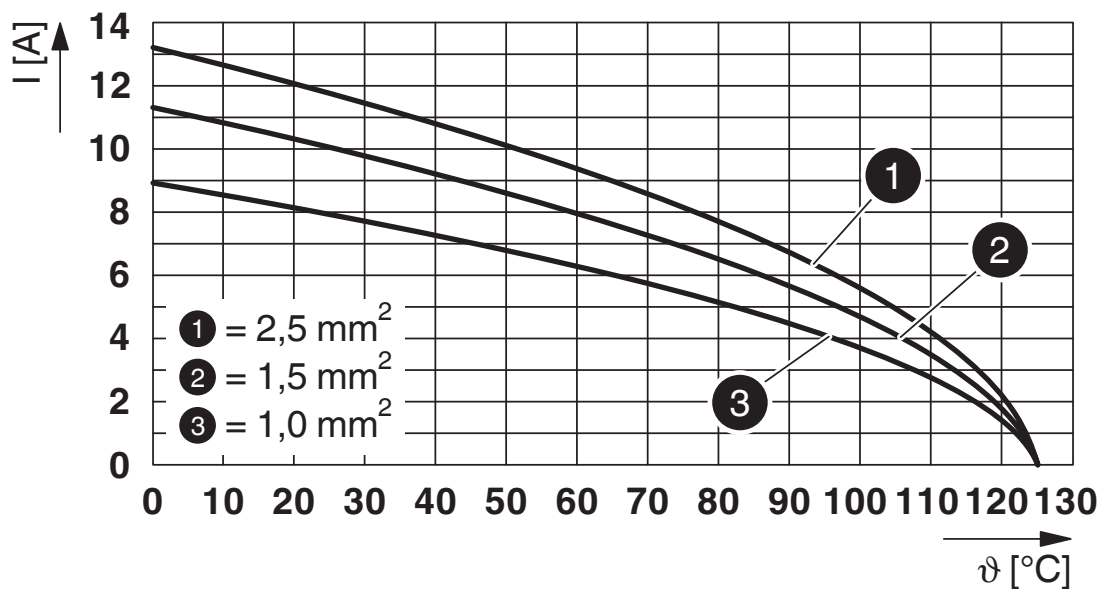
Connector pin assignment, connection side

# HC-DD72-I-CT-M - Contact insert

1584075

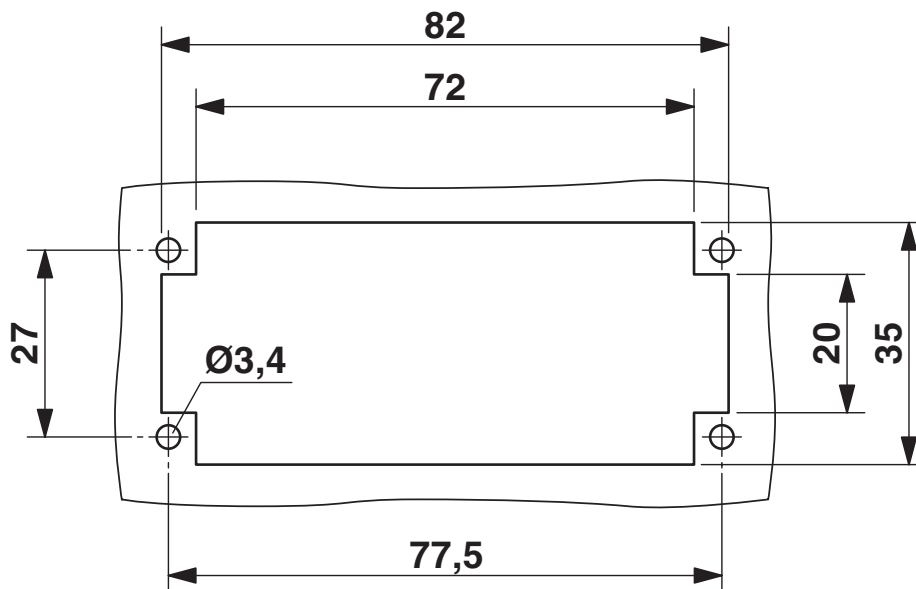
<https://www.phoenixcontact.com/in/products/1584075>

Diagram



Derating diagram turned contacts

Dimensional drawing



Mounting cutout when used without housing

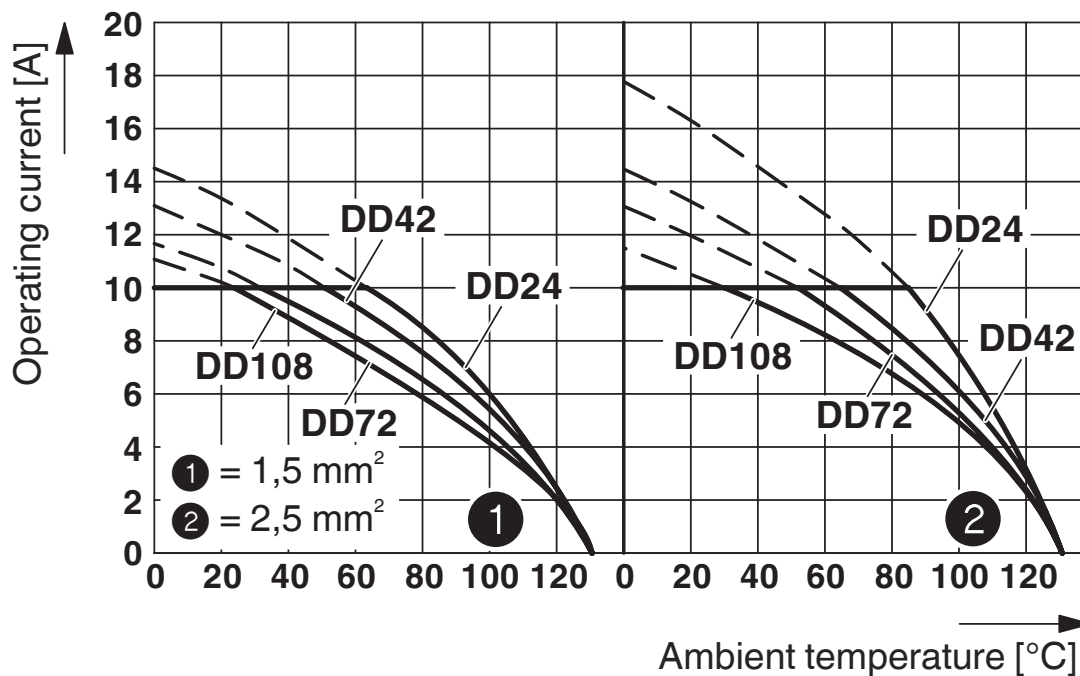
# HC-DD72-I-CT-M - Contact insert



1584075

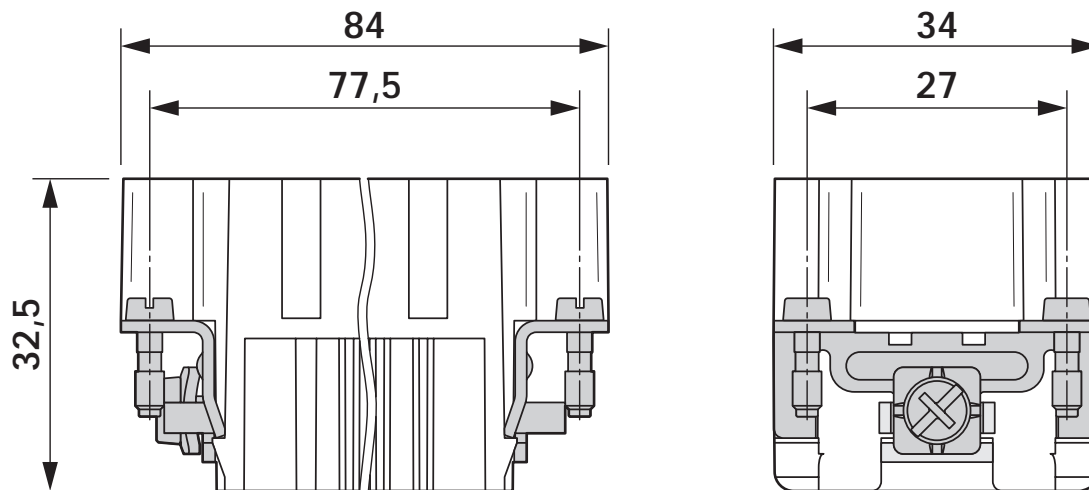
<https://www.phoenixcontact.com/in/products/1584075>

Diagram



Derating diagram

Dimensional drawing



Male insert

# HC-DD72-I-CT-M - Contact insert




1584075

<https://www.phoenixcontact.com/in/products/1584075>


## Approvals


 <b>CSA</b> Approval ID: 013631_6233_01	Nominal Voltage $U_N$	Nominal Current $I_N$	Cross Section AWG	Cross Section $\text{mm}^2$
	250 V	7 A	26 - 14	-

 <b>cUL Recognized</b> Approval ID: FILE E 118976	Nominal Voltage $U_N$	Nominal Current $I_N$	Cross Section AWG	Cross Section $\text{mm}^2$
	250 V	7 A	- 14	-

 <b>UL Recognized</b> Approval ID: FILE E 118976	Nominal Voltage $U_N$	Nominal Current $I_N$	Cross Section AWG	Cross Section $\text{mm}^2$
	250 V	10 A	- 14	-

 <b>EAC</b> Approval ID: RU C-DE.AI30.B.01102
---

 <b>cULus Recognized</b> Approval ID: E468743	Nominal Voltage $U_N$	Nominal Current $I_N$	Cross Section AWG	Cross Section $\text{mm}^2$
	250 V	7 A	- 14	-

 <b>EAC</b> Approval ID: RU C-DE.BL08.B.00511
---

# HC-DD72-I-CT-M - Contact insert



1584075

<https://www.phoenixcontact.com/in/products/1584075>

## Classifications

### ECLASS

ECLASS-11.0	27440205
ECLASS-12.0	27440205
ECLASS-13.0	27440205

### ETIM

ETIM 8.0	EC000438
----------	----------

### UNSPSC

UNSPSC 21.0	39121500
-------------	----------



# HC-DD72-I-CT-M - Contact insert



1584075

<https://www.phoenixcontact.com/in/products/1584075>

## Environmental Product Compliance

China RoHS	Environmentally friendly use period: unlimited = EFUP-e No hazardous substances above threshold values
------------	---

# HC-DD72-I-CT-M - Contact insert

1584075

<https://www.phoenixcontact.com/in/products/1584075>



## Accessories

### HC-CST - Coding element

1676857

<https://www.phoenixcontact.com/in/products/1676857>



Coding peg for coding up to 16 connectors

---

### HC-CBU - Coding element

1676860

<https://www.phoenixcontact.com/in/products/1676860>



Coding socket for coding up to 16 connectors

# HC-DD72-I-CT-M - Contact insert

1584075

<https://www.phoenixcontact.com/in/products/1584075>



## HC-B-PE-PT - Adapter

1054672

<https://www.phoenixcontact.com/in/products/1054672>



PE adapter with PT connection, for 1 PE connection, for HC-B / HC-BB / HC-DD / HC-D40 / HC-D64 contact inserts

---

## HC-B-2PE-PT - PE multiplier

1054675

<https://www.phoenixcontact.com/in/products/1054675>



PE adapter with PT connection, for 2 PE connections, for HC-B / HC-BB / HC-DD / HC-D40 / HC-D64 contact inserts

# HC-DD72-I-CT-M - Contact insert

1584075

<https://www.phoenixcontact.com/in/products/1584075>



## HC-B-3PE - PE multiplier

1644326

<https://www.phoenixcontact.com/in/products/1644326>



PE multiplier, for 3 PE connections, for HC-B / HC-BB / HC-DD / HC-D40 / HC-D64 contact inserts

---

## HC-B-PES - Screw

1604997

<https://www.phoenixcontact.com/in/products/1604997>



PE screw, for contact inserts HC-B / HC-BB / HC-DD / HC-D40 / HC-D64

# HC-DD72-I-CT-M - Contact insert

1584075

<https://www.phoenixcontact.com/in/products/1584075>



## HC-B-ZG - Strain relief clamp

1685327

<https://www.phoenixcontact.com/in/products/1685327>



Strain relief clamps contact inserts of series: B-, BB-, D 40, D 64, DD and HV, straight cable exit

---

## HC-B-ZS - Strain relief clamp

1685330

<https://www.phoenixcontact.com/in/products/1685330>



Strain relief clamps contact inserts of series: B-, BB-, D 40, D 64, DD and HV, lateral cable exit

# HC-DD72-I-CT-M - Contact insert

1584075

<https://www.phoenixcontact.com/in/products/1584075>



## UNIFOX MT-CK 1.6/2.5 - Assembly tool

1089092

<https://www.phoenixcontact.com/in/products/1089092>



Assembly tool, for CK 1.6... crimp contacts for small conductor cross sections

---

## UNIFOX RT-CK 1.6 - Contact removal tool

1072069

<https://www.phoenixcontact.com/in/products/1072069>



Contact removal tool, for turned and rolled CK- 1.6-... contacts

# HC-DD72-I-CT-M - Contact insert

1584075

<https://www.phoenixcontact.com/in/products/1584075>



## HC-CIF-B16-HFWL-PL - DIN rail mounting frame

1424336

<https://www.phoenixcontact.com/in/products/1424336>



DIN rail mounting frame, design: B16, for contact inserts, Top frame

---

## HC-B 16-ANDOCK - Docking frames

1586138

<https://www.phoenixcontact.com/in/products/1586138>



Docking frame for racks, for contact inserts of B16 type, with four M5 flat headed screws, rack balance x/y axis  $\pm 1.5$  mm

# HC-DD72-I-CT-M - Contact insert

1584075

<https://www.phoenixcontact.com/in/products/1584075>



## HC-CIF-B06-24-BFAFL-PL - DIN rail mounting frame

1424338

<https://www.phoenixcontact.com/in/products/1424338>

DIN rail mounting frame, design: B6 - B24, for contact inserts, Base frame



---

## HC-B24/16-ADP-SS - Adapter plate

1034216

<https://www.phoenixcontact.com/in/products/1034216>

Adapter plate, design: B24 to B16





# HC-DD72-I-CT-M - Contact insert

1584075

<https://www.phoenixcontact.com/in/products/1584075>



## CK1,6-ED-0,37ST AG - Crimp contact

1663336

<https://www.phoenixcontact.com/in/products/1663336>



Crimp contact, contact diameter: 1.6 mm, turned, Pin, contact material: Copper alloy, contact surface: silver-plated, connection cross section: 0.14 mm<sup>2</sup> ... 0.37 mm<sup>2</sup>, AWG 26 ... 22

---

## CK1,6-ED-0,50ST AG - Crimp contact

1663349

<https://www.phoenixcontact.com/in/products/1663349>



Crimp contact, contact diameter: 1.6 mm, turned, Pin, contact material: Copper alloy, contact surface: silver-plated, connection cross section: 0.5 mm<sup>2</sup> ... 0.5 mm<sup>2</sup>, AWG 20

# HC-DD72-I-CT-M - Contact insert

1584075

<https://www.phoenixcontact.com/in/products/1584075>



## CK1,6-ED-0,75ST AG - Crimp contact

1663352

<https://www.phoenixcontact.com/in/products/1663352>



Crimp contact, contact diameter: 1.6 mm, turned, Pin, contact material: Copper alloy, contact surface: silver-plated, connection cross section: 0.75 mm<sup>2</sup> ... 0.75 mm<sup>2</sup>, AWG 18

---

## CK1,6-ED-1,00ST AG - Crimp contact

1663365

<https://www.phoenixcontact.com/in/products/1663365>



Crimp contact, contact diameter: 1.6 mm, turned, Pin, contact material: Copper alloy, contact surface: silver-plated, connection cross section: 1 mm<sup>2</sup> ... 1 mm<sup>2</sup>, AWG 18

# HC-DD72-I-CT-M - Contact insert

1584075

<https://www.phoenixcontact.com/in/products/1584075>



## CK1,6-ED-1,50ST AG - Crimp contact

1663378

<https://www.phoenixcontact.com/in/products/1663378>



Crimp contact, contact diameter: 1.6 mm, turned, Pin, contact material: Copper alloy, contact surface: silver-plated, connection cross section: 1.5 mm<sup>2</sup> ... 1.5 mm<sup>2</sup>, AWG 16

---

## CK1,6-ED-2,50ST AG - Crimp contact

1663381

<https://www.phoenixcontact.com/in/products/1663381>



Crimp contact, contact diameter: 1.6 mm, turned, Pin, contact material: Copper alloy, contact surface: silver-plated, connection cross section: 2.5 mm<sup>2</sup> ... 2.5 mm<sup>2</sup>, AWG 14

# HC-DD72-I-CT-M - Contact insert

1584075

<https://www.phoenixcontact.com/in/products/1584075>



## CK1,6-ED-ST-POF - Male contact

1884995

<https://www.phoenixcontact.com/in/products/1884995>



POF fiber optic pin contact, turned, for contact carriers (HC-DD...I-CT.../ HC-M-12-CT-.../ HC-M-17-CT-...) of CK1,6-ED... contacts

---

## CK1,6-ED-0,37M AG - Crimp contact

1266193

<https://www.phoenixcontact.com/in/products/1266193>



Crimp contact, contact diameter: 1.6 mm, turned, Pin, contact material: Copper alloy, lead-free, contact surface: silver-plated, connection cross section: 0.14 mm<sup>2</sup> ... 0.34 mm<sup>2</sup>, AWG 26 ... 22

# HC-DD72-I-CT-M - Contact insert

1584075

<https://www.phoenixcontact.com/in/products/1584075>



## CK1,6-ED-0,50M AG - Crimp contact

1266195

<https://www.phoenixcontact.com/in/products/1266195>



Crimp contact, contact diameter: 1.6 mm, turned, Pin, contact material: Copper alloy, lead-free, contact surface: silver-plated, connection cross section: 0.5 mm<sup>2</sup> ... 0.5 mm<sup>2</sup>, AWG 20

---

## CK1,6-ED-1,50M AG - Crimp contact

1266245

<https://www.phoenixcontact.com/in/products/1266245>



Crimp contact, contact diameter: 1.6 mm, turned, Pin, contact material: Copper alloy, lead-free, contact surface: silver-plated, connection cross section: 1.5 mm<sup>2</sup> ... 1.5 mm<sup>2</sup>, AWG 16

# HC-DD72-I-CT-M - Contact insert

1584075

<https://www.phoenixcontact.com/in/products/1584075>



## CK1,6-ED-0,75M AG - Crimp contact

1266450

<https://www.phoenixcontact.com/in/products/1266450>



Crimp contact, contact diameter: 1.6 mm, turned, Pin, contact material: Copper alloy, lead-free, contact surface: silver-plated, connection cross section: 0.75 mm<sup>2</sup> ... 0.75 mm<sup>2</sup>, AWG 18

---

## CK1,6-ED-1,00M AG - Crimp contact

1266244

<https://www.phoenixcontact.com/in/products/1266244>



Crimp contact, contact diameter: 1.6 mm, turned, Pin, contact material: Copper alloy, lead-free, contact surface: silver-plated, connection cross section: 1 mm<sup>2</sup> ... 1 mm<sup>2</sup>, AWG 18

# HC-DD72-I-CT-M - Contact insert

1584075

<https://www.phoenixcontact.com/in/products/1584075>



## CK1,6-ED-2,50M AG - Crimp contact

1266247

<https://www.phoenixcontact.com/in/products/1266247>



Crimp contact, contact diameter: 1.6 mm, turned, Pin, contact material: Copper alloy, lead-free, contact surface: silver-plated, connection cross section: 2.5 mm<sup>2</sup> ... 2.5 mm<sup>2</sup>, AWG 14

---

## CK1,6-ED-0,37ST AU - Crimp contact

1674901

<https://www.phoenixcontact.com/in/products/1674901>



Crimp contact, contact diameter: 1.6 mm, turned, Pin, contact material: Copper alloy, contact surface: gold-plated, connection cross section: 0.14 mm<sup>2</sup> ... 0.37 mm<sup>2</sup>, AWG 22 ... 24

# HC-DD72-I-CT-M - Contact insert

1584075

<https://www.phoenixcontact.com/in/products/1584075>



## CK1,6-ED-0,50ST AU - Crimp contact

1672453

<https://www.phoenixcontact.com/in/products/1672453>



Crimp contact, contact diameter: 1.6 mm, turned, Pin, contact material: Copper alloy, contact surface: gold-plated, connection cross section: 0.5 mm<sup>2</sup> ... 0.5 mm<sup>2</sup>, AWG 20

---

## CK1,6-ED-0,75ST AU - Crimp contact

1674914

<https://www.phoenixcontact.com/in/products/1674914>



Crimp contact, contact diameter: 1.6 mm, turned, Pin, contact material: Copper alloy, contact surface: gold-plated, connection cross section: 0.75 mm<sup>2</sup> ... 0.75 mm<sup>2</sup>, AWG 18



# HC-DD72-I-CT-M - Contact insert

1584075

<https://www.phoenixcontact.com/in/products/1584075>



## CK1,6-ED-1,00ST AU - Crimp contact

1674888

<https://www.phoenixcontact.com/in/products/1674888>



Crimp contact, contact diameter: 1.6 mm, turned, Pin, contact material: Copper alloy, contact surface: gold-plated, connection cross section: 1 mm<sup>2</sup> ... 1 mm<sup>2</sup>, AWG 18

---

## CK1,6-ED-1,50ST AU - Crimp contact

1674875

<https://www.phoenixcontact.com/in/products/1674875>



Crimp contact, contact diameter: 1.6 mm, turned, Pin, contact material: Copper alloy, contact surface: gold-plated, connection cross section: 1.5 mm<sup>2</sup> ... 1.5 mm<sup>2</sup>, AWG 16

# HC-DD72-I-CT-M - Contact insert

1584075

<https://www.phoenixcontact.com/in/products/1584075>



## CK1,6-ED-2,50ST AU - Crimp contact

1674927

<https://www.phoenixcontact.com/in/products/1674927>



Crimp contact, contact diameter: 1.6 mm, turned, Pin, contact material: Copper alloy, contact surface: gold-plated, connection cross section: 2.5 mm<sup>2</sup> ... 2.5 mm<sup>2</sup>, AWG 14

---

## CK1,6-ER-1,00ST OIC AG - Crimp contact

1004360

<https://www.phoenixcontact.com/in/products/1004360>



Crimp contact, contact diameter: 1.6 mm, rolled, Pin, contact material: Cu alloy, nickel-plated, contact surface: silver-plated, connection cross section: 0.34 mm<sup>2</sup> ... 1 mm<sup>2</sup>, AWG 22 ... 17

# HC-DD72-I-CT-M - Contact insert

1584075

<https://www.phoenixcontact.com/in/products/1584075>



## CK1,6-ER-2,50ST OIC AG - Crimp contact

1004365

<https://www.phoenixcontact.com/in/products/1004365>



Crimp contact, contact diameter: 1.6 mm, rolled, Pin, contact material: Cu alloy, nickel-plated, contact surface: silver-plated, connection cross section: 1.5 mm<sup>2</sup> ... 2.5 mm<sup>2</sup>, AWG 16 ... 14

---

## CK1,6-BR-1,00ST OIC AG - Crimp contact

1004380

<https://www.phoenixcontact.com/in/products/1004380>



Crimp contact, contact diameter: 1.6 mm, rolled, Pin, contact material: Cu alloy, nickel-plated, contact surface: silver-plated, connection cross section: 0.34 mm<sup>2</sup> ... 1 mm<sup>2</sup>, AWG 22 ... 17, Taped products

# HC-DD72-I-CT-M - Contact insert

1584075

<https://www.phoenixcontact.com/in/products/1584075>



## CK1,6-BR-2,50ST OIC AG - Crimp contact

1004382

<https://www.phoenixcontact.com/in/products/1004382>



Crimp contact, contact diameter: 1.6 mm, rolled, Pin, contact material: Cu alloy, nickel-plated, contact surface: silver-plated, connection cross section: 1.5 mm<sup>2</sup> ... 2.5 mm<sup>2</sup>, AWG 16 ... 14, Taped products

---

## HC-DD72-I-CT-F - Contact insert

1584091

<https://www.phoenixcontact.com/in/products/1584091>



HEAVYCON female insert, DD72 series, 72-pos., crimp connection

---

Phoenix Contact 2023 © - all rights reserved

<https://www.phoenixcontact.com>

PHOENIX CONTACT (I) Pvt. Ltd.

A-58/2, Okhla Industrial Area, Phase - II, New Delhi-110 020

+91.1275.71420

[info@phoenixcontact.co.in](mailto:info@phoenixcontact.co.in)