

Series  
**NSX**

SIZE 1 SEALED COAXIAL SOCKET CONTACT  
FOR RG214 AND RG393 CABLES  
BOEING P/N: BACC47EN-1

Issue:  
27 June 2007

Page  
1/1

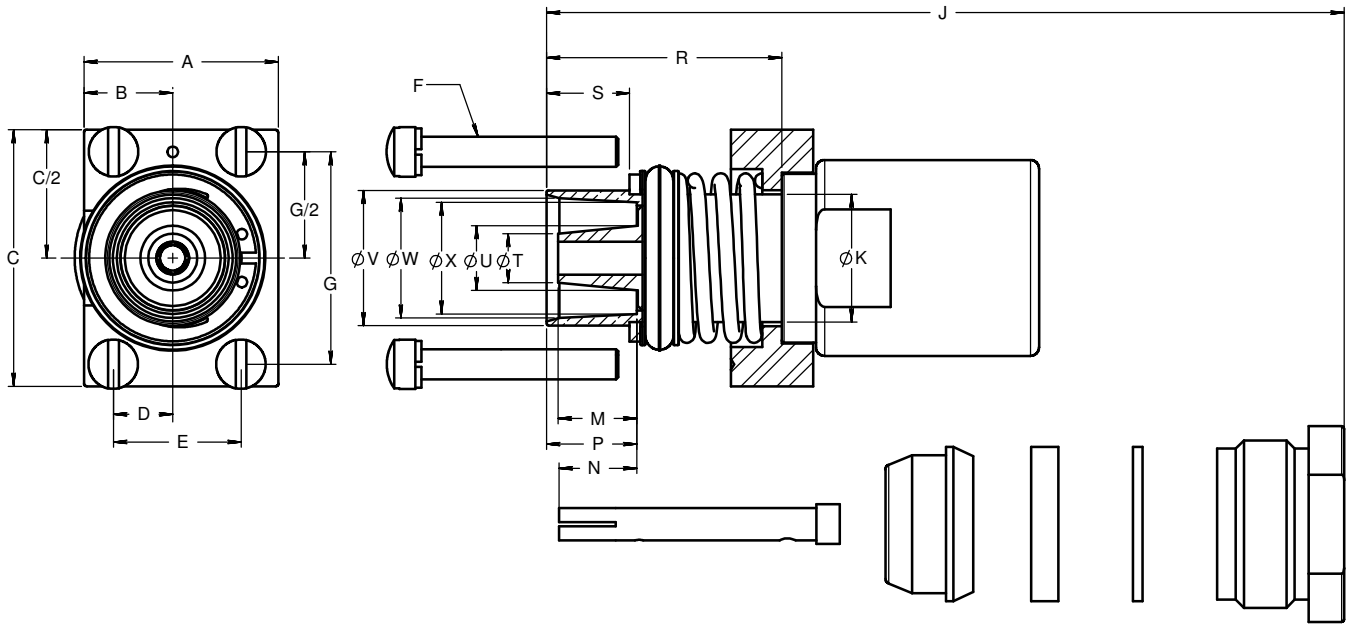
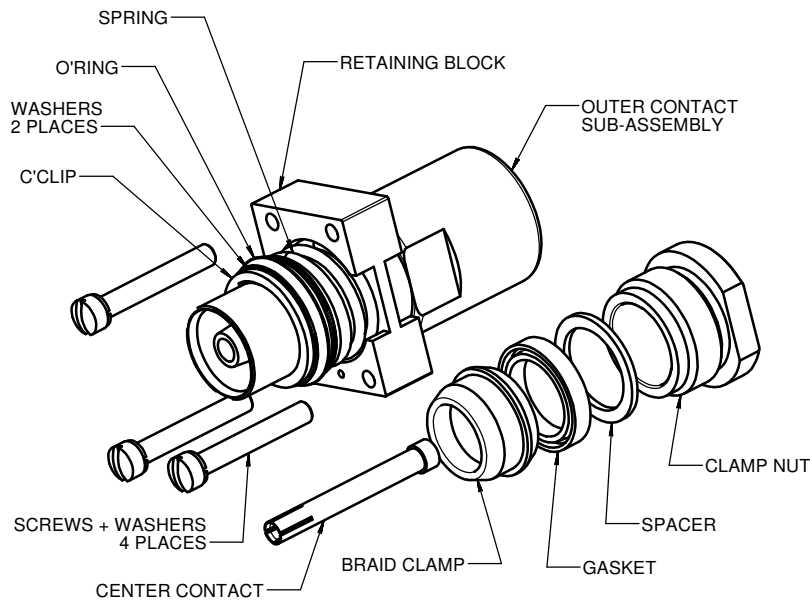


TABLE 1

| A           | B          | C           | D            | E           | F          | G           | J           | ØK          |             |  |
|-------------|------------|-------------|--------------|-------------|------------|-------------|-------------|-------------|-------------|--|
| 18,36(,723) | 8,36(,329) | 24,21(,953) | 5,64(,222)   | 12,12(,477) | 4-40 UNC   | 20,12(,792) | 55,88(2,20) | 12,12(,477) |             |  |
| 18,23(,718) | 8,28(,326) | 24,10(,949) | 5,51(,217)   | 11,89(,468) |            | 19,89(,783) | MAX         | 12,00(,472) |             |  |
| M           | N          | P           | R            | S           | ØT         | ØU          | ØV          | ØW          | ØX          |  |
| 7,49(,295)  | 7,44(,293) | 8,53(,336)  | 22,10(,0870) | 7,87(,310)  | 4,80(,189) | 6,20(,244)  | 12,75(,502) | 11,33(,446) | 10,54(,415) |  |
| MAX         | MAX        | 8,43(,332)  | DATUM        | 7,77(,306)  | MAX        | MAX         | 12,65(,498) | 11,18(,440) | 10,44(,411) |  |



**MATERIAL AND FINISH:**

- OUTER BODY, BRAID CLAMP, SPACER, AND CLAMP NUT:  
BRASS PER ASTM B 16 OR ASTM B 453 OR EN12164  
GOLD PLATE PER AMS 2422 OVER NICKEL PER QQ N 290
- CENTER CONTACT:  
BERYLLIUM COPPER PER ASTM B 196  
GOLD PLATE PER AMS 2422 OVER NICKEL PER QQ N 290
- INSULATOR:  
PTFE PER ASTM D 1710 OR EQUIVALENT
- GASKET AND O'RING SEALS:  
FLUOROSILICONE PER SAE AMS R 25988
- RETAINING BLOCK:  
ALUMINUM ALLOY PER AMS QQ A 591  
BLACK ANODIC OXYDATION
- SCREWS, WASHERS, C'CLIP AND SPRING:  
STAINLESS STEEL  
PASSIVATED

WIRING INSTRUCTIONS: SEE RP7961

DIMENSIONS : mm (inch are given for information only)



This information is given as an indication. In the continual goal to improve our products, we reserve the right to make any modifications judged necessary.

4112\_9311

| CREATION          |            |                    |        |          |  |
|-------------------|------------|--------------------|--------|----------|--|
| PEN:              |            |                    |        |          |  |
| NOM: MACARI       |            |                    |        |          |  |
| DATE: 22 APRIL 93 | 27 June 07 | UPDATED BOEING P/N | MACARI |          |  |
| APPR.:            | 23 APR.07  | REDRAWN            | MACARI | LEGENDRE |  |
|                   | Issue      | Revisions          | Name   | Approved |  |