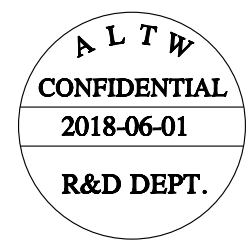
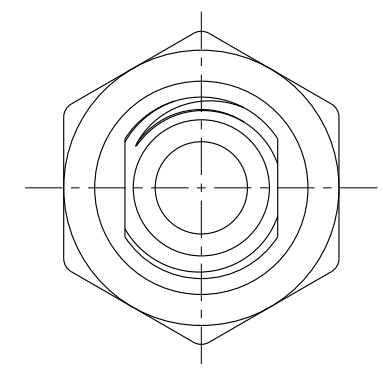
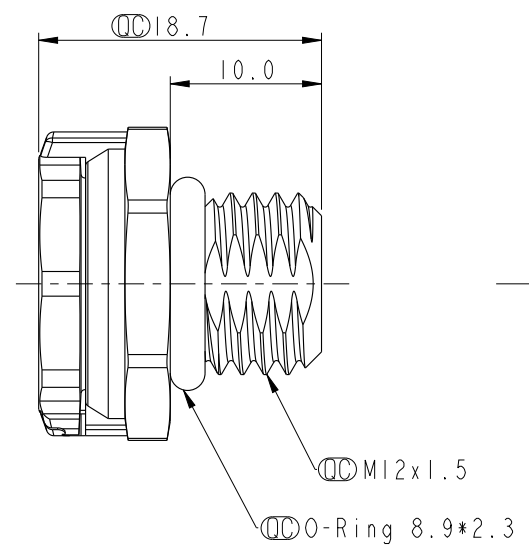
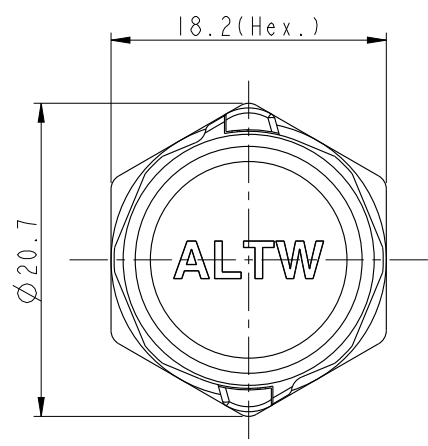
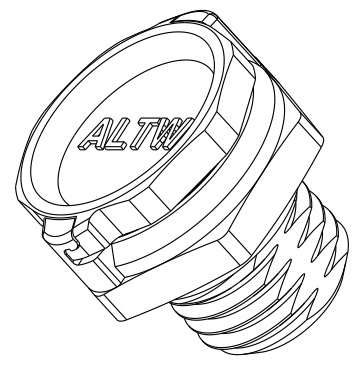


THIS DOCUMENT IS SUBJECT TO CHANGE WITHOUT NOTICE. IT IS CONFIDENTIAL AND A PROPERTY OF AMPHENOL LTW. DISCLOSURE TO THIRD PARTY HAS TO BE AUTHORIZED BY AMPHENOL LTW.

REV.	ECN NO.	DATE	SIGN	DESCRIPTION
A	Initial Release	2018-02-28	Ethan	
B	LEN1860001	2018-06-01	Ethan	Update Note IP68 Spec



UNIT: mm		
TOLERANCE	.X ±0.25	
.XX ±0.1		
.XXX ±0.05		
ANGLES	±1°	

TITLE VENT Metal-type		
SCALE 2:1	SIZE A4	SHEET 1 OF 2
REV. B	WC-REV. A.16	☉: Inspection item

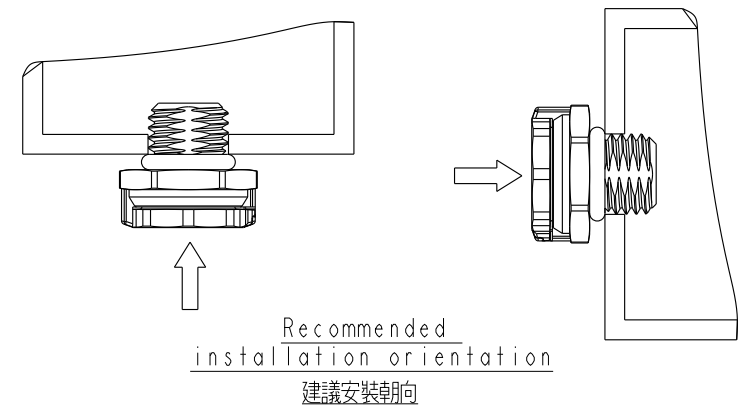
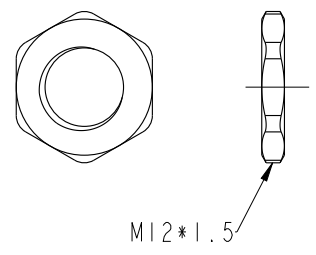
Amphenol LTW
安費諾亮泰企業股份有限公司

ITEM NO. VENT-MSINME-08001	DRAWN BY Ethan	DATE 2018-06-01
DWG NO. VENT-MSINME-08001	CHECKED BY Feng Li	DATE 2018-06-01
CUSTOMER ALTW	APPROVED BY Jerry	DATE 2018-06-01

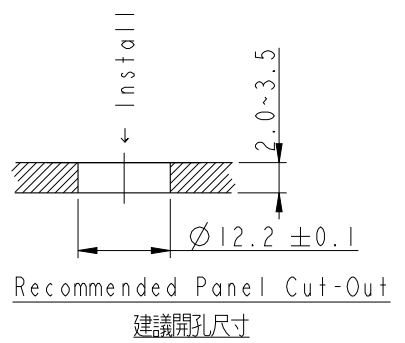
THIS DOCUMENT IS SUBJECT TO CHANGE WITHOUT NOTICE. IT IS CONFIDENTIAL AND A PROPERTY OF Amphenol LTW. DISCLOSURE TO THIRD PARTY HAS TO BE AUTHORIZED BY Amphenol LTW.

REV.	ECN NO.	DATE	SIGN	DESCRIPTION

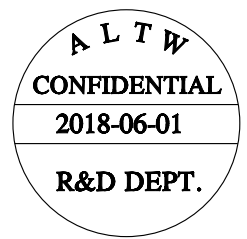
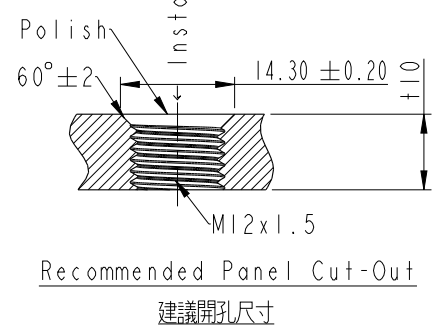
Screw Nut: Optional part
 No.: APTM-AMBPC012-001
 螺母作為選配件



Through-hole



Threaded-hole



- Note:
- * CC Important Dimension.
 - * B Waterproof Rate: IP68 (Immersion for 60 minutes at a depth of 2 meter), IP69K
 - * Housing: Zinc Alloy, Nickel Plated
 - * Cap: Zinc Alloy, Nickel Plated
 - * Membrane: ePTFE, Oleophobic
 - * O-Ring: Silicone, Dark Gray
 - * Air Permeability: >1760ml/min @70mbar

UNIT: mm			TITLE VENT Metal-type
TOLERANCE .X ±0.25 .XX ±0.1 .XXX ±0.05 ANGLES ±1°	SCALE 2:1	SIZE A4	SHEET 2 OF 2
REV. B	WC-REV. A.16	CC : Inspection item	

Amphenol LTW
 安費諾亮泰企業股份有限公司

ITEM NO. VENT-MSINME-08001	DRAWN BY Ethan	DATE 2018-06-01
DWG NO. VENT-MSINME-08001	CHECKED BY Feng Li	DATE 2018-06-01
CUSTOMER ALTW	APPROVED BY Jerry	DATE 2018-06-01