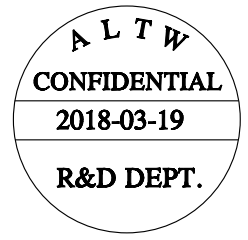
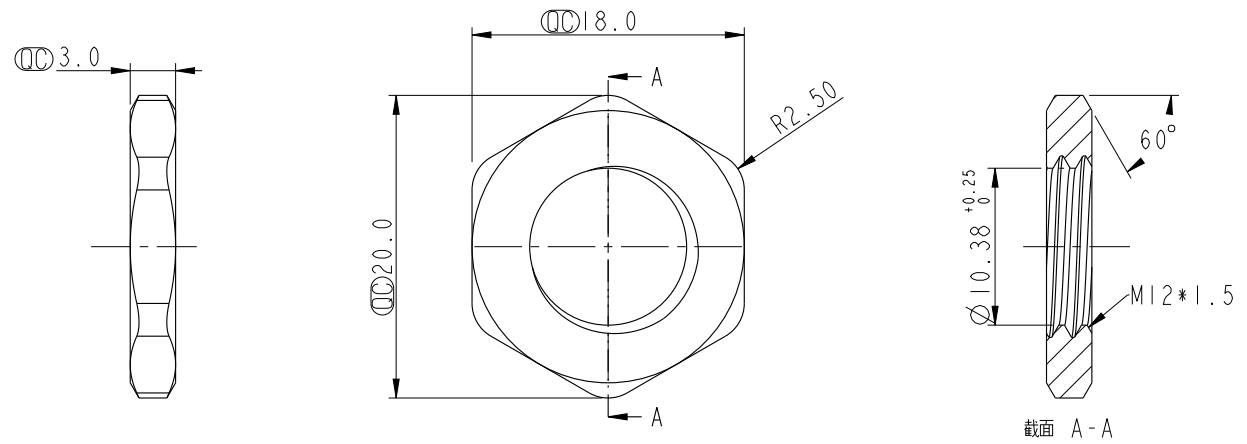


THIS DOCUMENT IS SUBJECT TO CHANGE WITHOUT NOTICE. IT IS CONFIDENTIAL AND A PROPERTY OF AMPHENOL LTW. DISCLOSURE TO THIRD PARTY HAS TO BE AUTHORIZED BY AMPHENOL LTW.

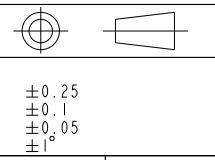
REV.	ECN NO.	DATE	SIGN	DESCRIPTION
A	Initial Release	2018/03/19	Ethan	



Note:  
 \*  $\varnothing$  Important Dimension.  
 \* Material: Brass C3604  
 \* Finish: Nickel Plated 120u''  
 \* 需耐鹽霧測試48H  
 \* M12\*1.5以二級牙規為牙徑檢驗標準及實配為牙徑檢驗標準，飽牙度80%以上

UNIT: mm

TOLERANCE	
.X	±0.25
.XX	±0.1
.XXX	±0.05
ANGLES	±1°



TITLE NUT (M12*1.5)			
SCALE 2:1	SIZE A4	SHEET 1 OF 1	
REV. A	WC-REV. A.1	$\varnothing$ : Inspection item	

**Amphenol LTW**  
安費諾亮泰企業股份有限公司

ITEM NO. APTM-AMBPA012-001	DRAWN BY Ethan	DATE 2018-03-19
DWG NO. APTM-AMBPA012-001	CHECKED BY Feng-li	DATE 2018-03-19
CUSTOMER ALTW	APPROVED BY Jerry	DATE 2018-03-19