

RC-Z2104 - Metal protective cap



1604260

<https://www.phoenixcontact.com/in/products/1604260>

Please be informed that the data shown in this PDF document is generated from our Online Catalog. Please find the complete data in the user documentation. Our General Terms of Use for Downloads are valid.



Metal protective cap, M23, degree of protection: IP67, series: RC, Alternative product in accordance with RoHS II without Exemption 6c (Pb <0.1%) item no.: 1241739

Commercial Data

Item number	1604260
Packing unit	10 pc
Minimum order quantity	10 pc
Sales Key	ABR
Product Key	ABRFCB
Catalog Page	Page 182 (C-2-2019)
GTIN	4046356248334
Weight per Piece (including packing)	12.37 g
Weight per Piece (excluding packing)	11.9 g
Customs tariff number	74198090
Country of origin	DE

RC-Z2104 - Metal protective cap



1604260

<https://www.phoenixcontact.com/in/products/1604260>

Technical Data

Product properties

Product type	Protective cover
Locking type	M23
Series	RC
	UC
	RF
	SF
	NC
	RM

Material specifications

Housing material	Metal
------------------	-------

Environmental and real-life conditions

Ambient conditions

Degree of protection	IP67
----------------------	------

RC-Z2104 - Metal protective cap

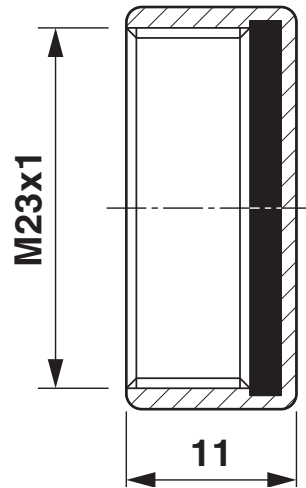
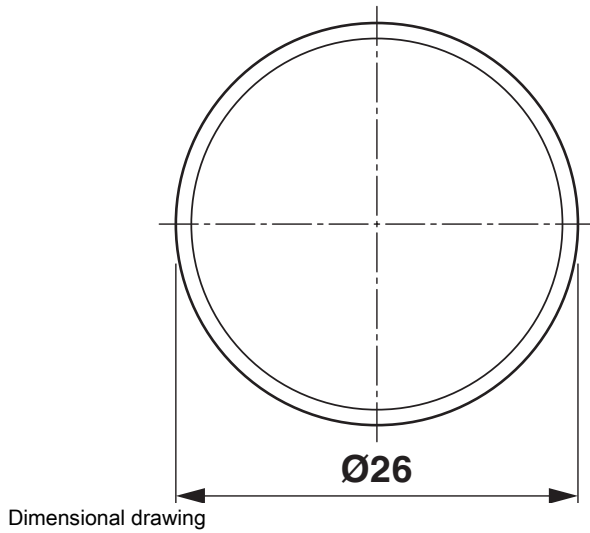
1604260

<https://www.phoenixcontact.com/in/products/1604260>



Drawings

Dimensional drawing



RC-Z2104 - Metal protective cap



1604260

<https://www.phoenixcontact.com/in/products/1604260>

Classifications

ECLASS

ECLASS-11.0	27440312
ECLASS-13.0	27440312
ECLASS-12.0	27440312

ETIM

ETIM 8.0	EC002641
----------	----------

UNSPSC

UNSPSC 21.0	39121400
-------------	----------

RC-Z2104 - Metal protective cap



1604260

<https://www.phoenixcontact.com/in/products/1604260>

Environmental Product Compliance

REACH SVHC	Lead 7439-92-1
China RoHS	Environmentally Friendly Use Period = 50 years
	For information on hazardous substances, refer to the manufacturer's declaration available under "Downloads"

Phoenix Contact 2023 © - all rights reserved

<https://www.phoenixcontact.com>

PHOENIX CONTACT (I) Pvt. Ltd.

A-58/2, Okhla Industrial Area, Phase - II, New Delhi-110 020

+91.1275.71420

info@phoenixcontact.co.in