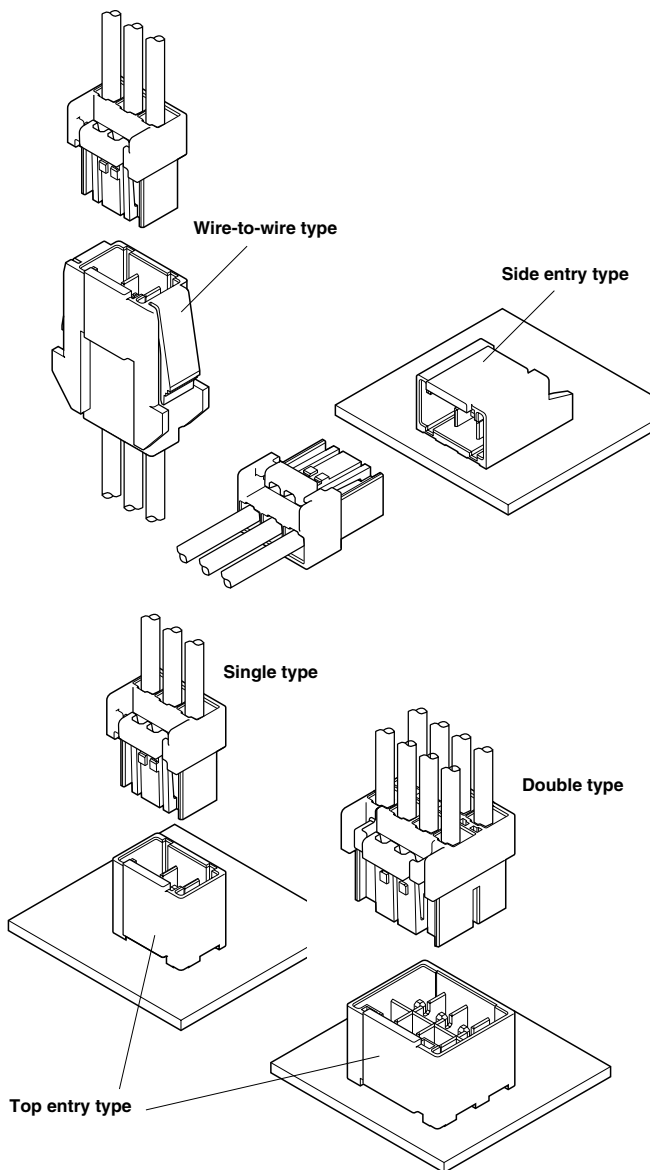


# PSI CONNECTOR

4.0mm pitch/Disconnectable Crimp style connectors



**This PSI connector is designed for wire-to-board and wire-to-wire 4.0mm pitch connector. Low insertion force type contact is adopted and it provides excellent operability. This connector has the secure locking device that has the mechanism for preventing the inverse insertion. By adopting key shape and multi colors of housing, prevention function of mis-mating is considered.**

- **Secure locking structure**
- **Mis-mating prevention mechanism by keying (2 to 4 circuits/3 kinds of keying)**
- **Finger-friendly design**
- **Large electric current was realized.**

## Specifications

- Current rating: 12 A AC, DC (Refer to the following table.)
- Voltage rating: 300 V AC, DC
- Temperature range: -25°C to +85°C  
(including temperature rise in applying electrical current)
- Contact resistance: Initial value/ 10 mΩ max.  
After environmental tests/ 20 mΩ max.
- Insulation resistance: 1,000 MΩ min.
- Withstanding voltage: 1,500 VAC/minute
- Applicable wire: AWG #26 to #16

- \* Refer to "General Instruction and Notice when using Terminals and Connectors" at the end of this catalog.
- \* Contact JST for details.
- \* Compliant with RoHS.

Note: The current rating differs depending on the number of circuits and the wire size used in each connector. The table below lists the current rating as a function of the number of circuits and the wire size.

Circuits	Wire size (AWG)					
	# 16	# 18	# 20	# 22	# 24	# 26
2	12	10	8	5	4	3
3	11	9	7	5	4	3
4, 5, 6, 8	10	8	6	5	4	3
10, 12	9	7	6	5	4	3
14	9	7	6	4.5	4	3

Note: Do not branch in parallel current which exceeds the rated current (e.g. more than 12 A in the case of 2 circuits with AWG #12). If branched in parallel, current imbalance or other problems may develop. If it is absolutely necessary to branch such a large current in parallel, design the circuits without causing any imbalance and provide an extra margin for each circuit.

## Standards

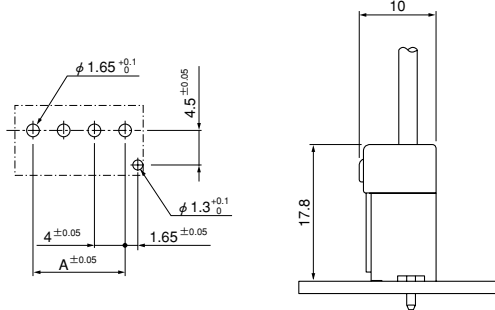
- VA Recognized E 60389
- CS Certified LR 20812
- △ R50259465

# PSI CONNECTOR

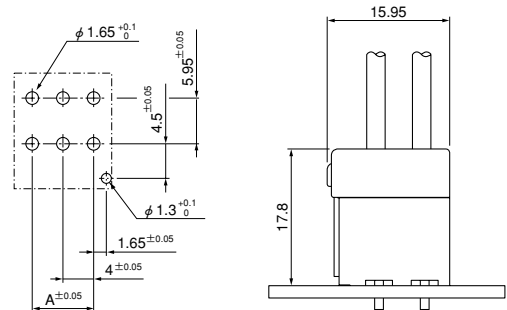
## Contact

### Top entry type

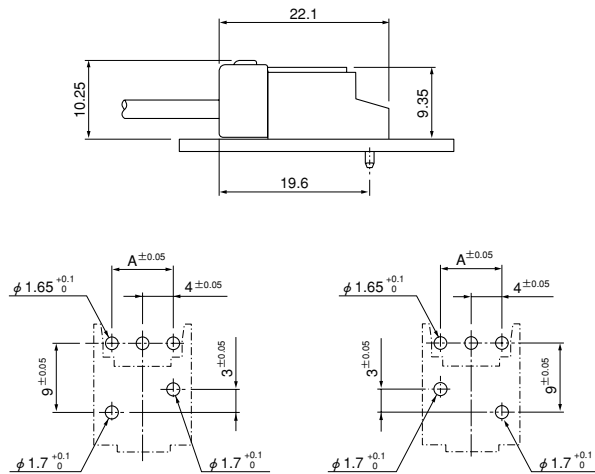
#### ●Single type



#### ●Double type



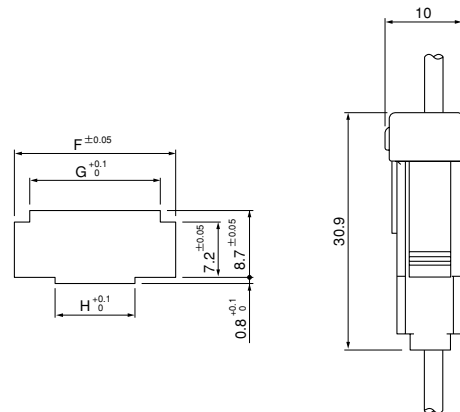
### Side entry type



Keying: A, B types

Keying: C type

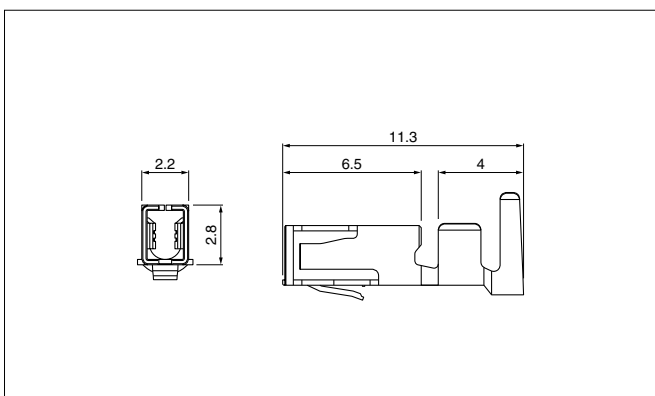
### Wire-to-wire type



- Note: 1. The above figure is the figure viewed from the connector mounting side  
 2. Tolerances are non-cumulative:  $\pm 0.05$  mm for all centers.  
 3. Hole dimensions differ according to the type of PC board and piercing method.  
 The dimensions above should serve as a guideline. Contact JST for details.

Circuits	F		G	H	Applicable panel thickness
	$0.8 \leq t \leq 1.2$	$1.2 < t \leq 2.0$			
2	13	13.3	9	6.8	0.8~2.0
3	17	17.3	13	8.4	

## Socket contact



Model No.	Applicable wire		Insulation O.D. (mm)	Q'ty / reel
	mm <sup>2</sup>	AWG#		
SPSI-001T-M1.1	0.13~0.33	26~22	1.3~2.4	2,600
SPSI-41T-M1.1	0.5~1.25	20~16	1.7~3.2	2,600

### Material and Finish

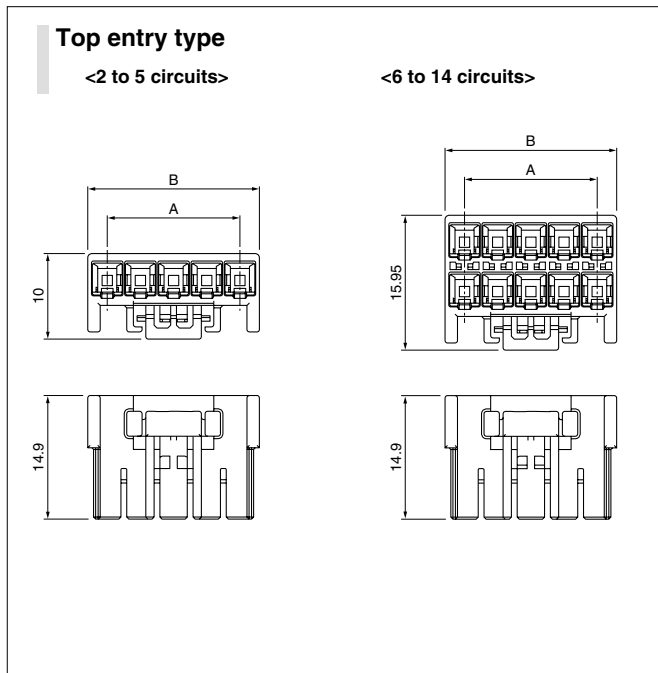
Copper alloy, tin-plated

### RoHS compliance

Contact	Crimping machine	Applicator		
		Crimp applicator	Dies	Crimp applicator with dies
SPSI-001T-M1.1	AP-K2N	MKS-L	MK/SPSI/M-001-11	APLMK SPSI/M001-11
		—	—	—
SPSI-41T-M1.1	—	MKS-L	MK/SPSI/M-41-11	APLMK SPSI/M41-11
		—	—	—

# PSI CONNECTOR

## Socket housing



Circuits	Keying	Model No.	Dimensions (mm)		Q'ty / box
			A	B	
2	A	<b>PSIP-02V-LE-A</b>	4.0	8.7	500
	B	<b>PSIP-02V-Y-B</b>	4.0	8.7	500
	C	<b>PSIP-02V-R-C</b>	4.0	8.7	500
3	A	<b>PSIP-03V-LE-A</b>	8.0	12.7	300
	B	<b>PSIP-03V-Y-B</b>	8.0	12.7	300
	C	<b>PSIP-03V-R-C</b>	8.0	12.7	300
4	A	<b>PSIP-04V-LE-A</b>	12.0	16.7	200
	B	<b>PSIP-04V-Y-B</b>	12.0	16.7	200
	C	<b>PSIP-04V-R-C</b>	12.0	16.7	200
5	—	<b>PSIP-05V-LE</b>	16.0	20.7	200
6	—	<b>PSIP-06V-LE</b>	8.0	12.7	200
8	—	<b>PSIP-08V-LE</b>	12.0	16.7	200
10	—	<b>PSIP-10V-LE</b>	16.0	20.7	150
12	—	<b>PSIP-12V-LE</b>	20.0	24.7	150
14	—	<b>PSIP-14V-LE</b>	24.0	28.7	100

### Material

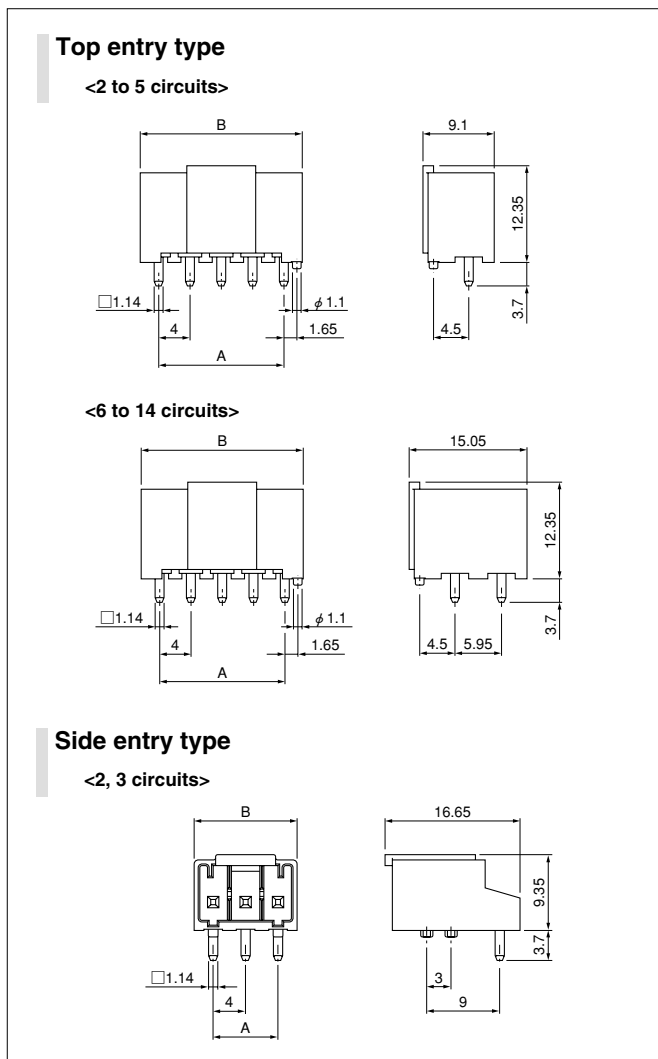
Glass-filled PBT, UL94V-0

### RoHS compliance

<For reference> As the color identification, the following alphabet shall be put in the underlined part. For availability, delivery and minimum order quantity, contact JST.

ex. **PSIP-02V-LE-A**      LE...light blue Y...yellow R...red

## Header



Circuits	Keying	Model No.	Dimensions (mm)		Q'ty / box
			A	B	
2	A	<b>B02B-PSILE-A1</b>	4.0	8.7	500
	B	<b>B02B-PSIY-B1</b>	4.0	8.7	500
	C	<b>B02B-PSIR-C1</b>	4.0	8.7	500
3	A	<b>B03B-PSILE-A1</b>	8.0	12.7	300
	B	<b>B03B-PSIY-B1</b>	8.0	12.7	300
	C	<b>B03B-PSIR-C1</b>	8.0	12.7	300
4	A	<b>B04B-PSILE-A1</b>	12.0	16.7	200
	B	<b>B04B-PSIY-B1</b>	12.0	16.7	200
	C	<b>B04B-PSIR-C1</b>	12.0	16.7	200
5	—	<b>B05B-PSILE-1</b>	16.0	20.7	200
6	—	<b>B06B-PSILE-1</b>	8.0	12.7	200
8	—	<b>B08B-PSILE-1</b>	12.0	16.7	200
10	—	<b>B10B-PSILE-1</b>	16.0	20.7	150
12	—	<b>B12B-PSILE-1</b>	20.0	24.7	150
14	—	<b>B14B-PSILE-1</b>	24.0	28.7	100

### Material and Finish

Post: Copper alloy, copper-undercoated, tin-plated (reflow treatment)  
Header: Glass-filled PBT, UL94V-0

Circuits	Keying	Model No.	Dimensions (mm)		Q'ty / box
			A	B	
2	A	<b>S02B-PSILE-A1</b>	4.0	8.7	350
	B	<b>S02B-PSIY-B1</b>	4.0	8.7	350
	C	<b>S02B-PSIR-C2</b>	4.0	8.7	350
3	A	<b>S03B-PSILE-A1</b>	8.0	12.7	200
	B	<b>S03B-PSIY-B1</b>	8.0	12.7	200
	C	<b>S03B-PSIR-C2</b>	8.0	12.7	200

### Material and Finish

Post: Copper alloy, copper-undercoated, tin-plated (reflow treatment)  
Header: Glass-filled PBT, UL94V-0

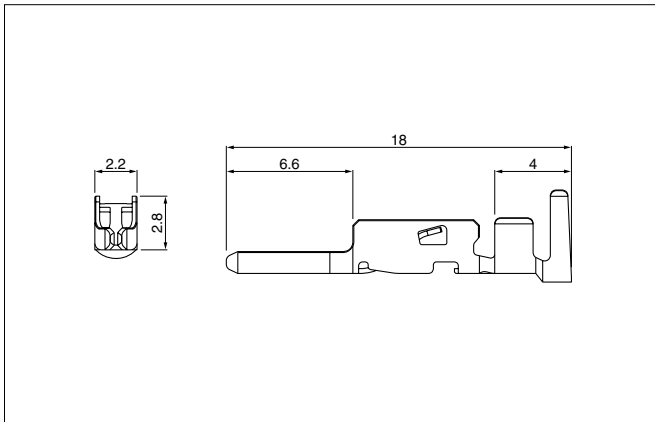
**RoHS compliance** This product displays (LF)(SN) on a label. Note: Other kinds of post-omitted products are available. Contact JST for details.

<For reference> As the color identification, the following alphabet shall be put in the underlined part. For availability, delivery and minimum order quantity, contact JST.

ex. **B02B-PSILE-A1**      LE...light blue Y...yellow R...red

# PSI CONNECTOR

## Pin contact



Model No.	Applicable wire		Insulation O.D. (mm)	Q'ty / reel
	mm <sup>2</sup>	AWG#		
<b>SPSM-001T-M1.1</b>	0.13~0.33	26~22	1.3~2.4	2,600
<b>SPSM-41T-M1.1</b>	0.5 ~1.25	20~16	1.7~3.2	2,600

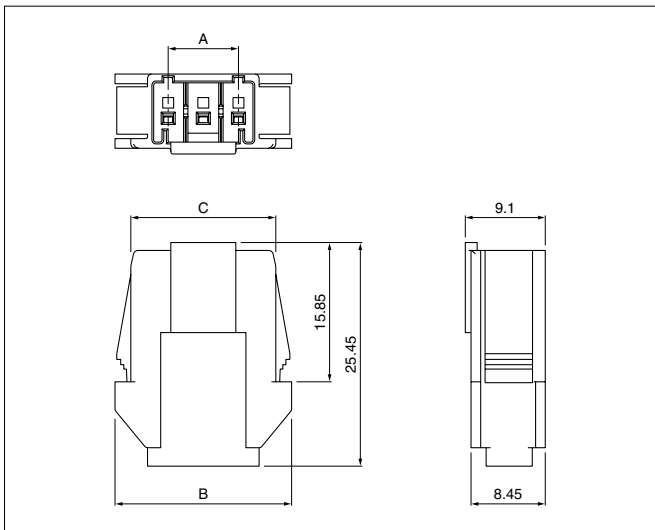
### Material and Finish

Copper alloy, tin-plated

### RoHS compliance

Contact	Crimping machine	Applicator		
		Crimp applicator	Dies	Crimp applicator with dies
<b>SPSM-001T-M1.1</b>	AP-K2N	MKS-L	MK/SPSI/M-001-11	APLMK SPSI/M001-11
		—	—	—
<b>SPSM-41T-M1.1</b>	AP-K2N	MKS-L	MK/SPSI/M-41-11	APLMK SPSI/M41-11
		—	—	—

## Receptacle housing



Circuits	Keying	Model No.	Dimensions (mm)			Q'ty / bag
			A	B	C	
2	A	<b>PSIR-02V-LE-A</b>	4.0	16.1	12.5	200
	B	<b>PSIR-02V-Y-B</b>	4.0	16.1	12.5	200
3	A	<b>PSIR-03V-LE-A</b>	8.0	20.1	16.5	150
	B	<b>PSIR-03V-Y-B</b>	8.0	20.1	16.5	150

### Material

Glass-filled PBT, UL94V-0

### RoHS compliance

<For reference> As the color identification, the following alphabet shall be put in the underlined part. For availability, delivery and minimum order quantity, contact JST.

ex. **PSIR-03V-LE-A**  
LE...light blue Y...yellow

## Contact position location numbers

Socket housing		Header ●Top entry		Header ●Side entry		Receptacle housing	
Single <2 to 5 circuits>	Double <6 to 14 circuits>	Single <2 to 5 circuits>	Double <6 to 14 circuits>	Single <2 to 3 circuits>	Double <2 to 3 circuits>	Single <2 to 3 circuits>	Double <2 to 3 circuits>

# PSI CONNECTOR

## Keying

### ■ Socket housing

Shape		A type		B type		C type	
Mating part	<2 circuits>						
	<3 circuits>						
	<4 circuits>						
Model No.	2 circuits 3 circuits 4 circuits	Blue	PSIP-02V-LE-A PSIP-03V-LE-A PSIP-04V-LE-A	Yellow	PSIP-02V-Y-B PSIP-03V-Y-B PSIP-04V-Y-B	Red	PSIP-02V-R-C PSIP-03V-R-C PSIP-04V-R-C

From 2 circuit to 4 circuit are applied.

### ■ Header

#### Top entry type

Shape		A type		B type		C type	
Mating part	<2 circuits>						
	<3 circuits>						
	<4 circuits>						
Model No.	2 circuits 3 circuits 4 circuits	Blue	B02B-PSILE-A1 B03B-PSILE-A1 B04B-PSILE-A1	Yellow	B02B-PSIY-B1 B03B-PSIY-B1 B04B-PSIY-B1	Red	B02B-PSIR-C1 B03B-PSIR-C1 B04B-PSIR-C1

From 2 circuit to 4 circuit are applied.

#### Side entry type

Shape		A type		B type		C type	
Mating part	<2 circuits>						
	<3 circuits>						
	<4 circuits>						
Model No.	2 circuits 3 circuits	Blue	S02B-PSILE-A1 S03B-PSILE-A1	Yellow	S02B-PSIY-B1 S03B-PSIY-B1	Red	S02B-PSIR-C2 S03B-PSIR-C2

From 2 circuit to 3 circuit are applied.

Note) Boss: Only C type boss position is reversed.

### ■ Receptacle housing

Shape		A type		B type	
Mating part	<2 circuits>				
	<3 circuits>				
	<4 circuits>				
Model No.	2 circuits 3 circuits	Blue	PSIR-02V-LE-A PSIR-03V-LE-A	Yellow	PSIR-02V-Y-B PSIR-03V-Y-B

From 2 circuit to 3 circuit are applied.