

C-SCFFI 1,5/6,3X0,8 - Connector

3240538

<https://www.phoenixcontact.com/in/products/3240538>

Please be informed that the data shown in this PDF document is generated from our Online Catalog. Please find the complete data in the user documentation. Our General Terms of Use for Downloads are valid.



Slip-on sleeve, fully isolated, red, 0.5 ... 1.5 mm², for plug 6.3 x 0.8 mm

Your advantages

- Hard-soldered crimping zone for maximum conductor pull-out forces in connection with CRIMPFOX RCI... pliers
- Easy and reliable conductor entry thanks to 'EASY ENTRY'
- Halogen-free
- Electrogalvanized

Commercial Data

Item number	3240538
Packing unit	50 pc
Minimum order quantity	50 pc
Sales Key	BH3
Product Key	BH3451
Catalog Page	Page 500 (C-3-2019)
GTIN	4046356528085
Weight per Piece (including packing)	1.218 g
Weight per Piece (excluding packing)	1.168 g
Customs tariff number	85366990
Country of origin	CN

C-SCFFI 1,5/6,3X0,8 - Connector

3240538

<https://www.phoenixcontact.com/in/products/3240538>

Technical Data

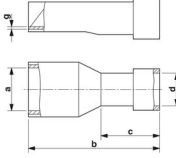
Product properties

Product type	Connector
--------------	-----------

Electrical properties

Fuse	yes
------	-----

Dimensions

Dimensional drawing	
Width	6.3 mm
Length	21.5 mm
Length of the insulating material sleeve	10.5 mm
Maximum stripping length	7 mm
Min. material thickness	0.4 mm
Inner dimensions of the insulating collar	4.3 mm

Material specifications

Color	red
Material	Brass
Flammability rating according to UL 94	V2
Coating	electrogalvanized
Insulating material	PA
Components	halogen-free

Environmental and real-life conditions

Ambient conditions

Ambient temperature (operation)	-20 °C ... 105 °C
Permanent temperature	105 °C
Short-term temperature	120 °C

C-SCFFI 1,5/6,3X0,8 - Connector

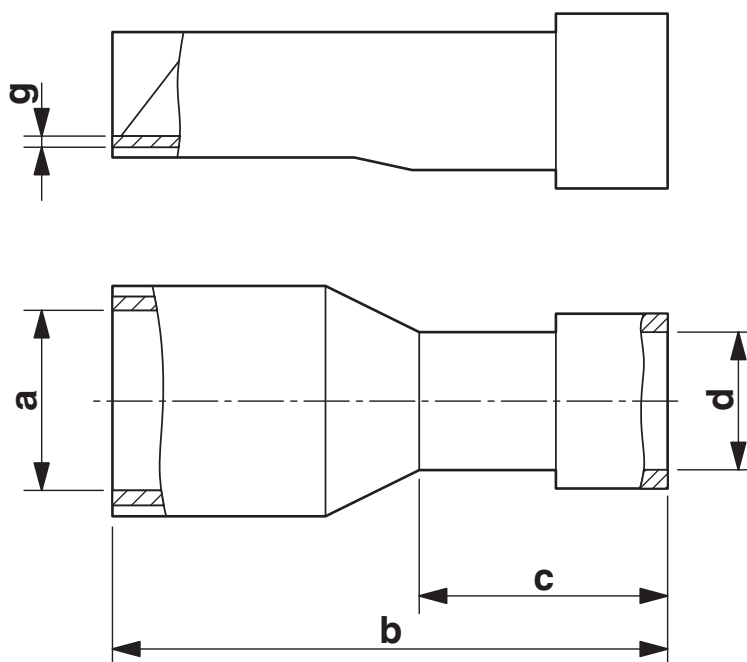
3240538

<https://www.phoenixcontact.com/in/products/3240538>



Drawings

Dimensional drawing



C-SCFFI 1,5/6,3X0,8 - Connector



3240538

<https://www.phoenixcontact.com/in/products/3240538>

Classifications

ECLASS

ECLASS-11.0	27400204
ECLASS-13.0	27400204
ECLASS-13.0	27400204
ECLASS-13.0	27400204

ETIM

ETIM 8.0	EC001052
----------	----------

UNSPSC

UNSPSC 21.0	27121700
-------------	----------

C-SCFFI 1,5/6,3X0,8 - Connector

3240538

<https://www.phoenixcontact.com/in/products/3240538>



Environmental Product Compliance

China RoHS

Environmentally friendly use period: unlimited = EFUP-e

No hazardous substances above threshold values

C-SCFFI 1,5/6,3X0,8 - Connector

3240538

<https://www.phoenixcontact.com/in/products/3240538>



Accessories

CRIMPFOX-RCI 2,5 - Crimping pliers

1212053

<https://www.phoenixcontact.com/in/products/1212053>



Crimping pliers, for insulated cable lugs, 0.5 mm² ... 2.5 mm² (red, blue), oval crimp

CRIMPFOX-RCI 2,5-M - Crimping pliers

1212728

<https://www.phoenixcontact.com/in/products/1212728>



Crimping pliers, compact pliers, for insulated cable lugs (red, blue), two marked die stations, unlockable pressure lock, lateral entry

C-SCFFI 1,5/6,3X0,8 - Connector

3240538

<https://www.phoenixcontact.com/in/products/3240538>



CRIMPFOX-RCI 6 - Crimping pliers

1212057

<https://www.phoenixcontact.com/in/products/1212057>



Crimping pliers, for insulated cable lugs, 0.5 mm² ... 6.0 mm² (red, blue, yellow), oval crimp, symmetrical

CRIMPFOX-RCI 6-1 - Crimping pliers

1212059

<https://www.phoenixcontact.com/in/products/1212059>



Crimping pliers, for insulated cable lugs, 0.5 mm² ... 6.0 mm² (red, blue, yellow), oval crimp, asymmetrical

C-SCFFI 1,5/6,3X0,8 - Connector

3240538

<https://www.phoenixcontact.com/in/products/3240538>



CRIMPFOX-RCI 6-M - Crimping pliers

1212730

<https://www.phoenixcontact.com/in/products/1212730>

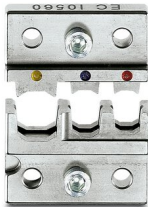


Crimping pliers, compact pliers, for symmetrical insulated cable lugs, 0.5 mm² ... 6.0 mm² (red, blue, yellow), three marked die stations, unlockable pressure lock, lateral entry

CF 500/DIE RCI 6 - Crimp insert

1212240

<https://www.phoenixcontact.com/in/products/1212240>



Die for crimping machine CF 500, for insulated cable lugs (C ... RCI... and C ... FCI...) 0.5 ... 6 mm²

Phoenix Contact 2023 © - all rights reserved
<https://www.phoenixcontact.com>

PHOENIX CONTACT (I) Pvt. Ltd.
A-58/2, Okhla Industrial Area, Phase - II, New Delhi-110 020

+91.1275.71420
info@phoenixcontact.co.in