

# G-INS-PG36-M68N-PNES-LG - Cable gland



1424492

<https://www.phoenixcontact.com/in/products/1424492>

Please be informed that the data shown in this PDF document is generated from our Online Catalog. Please find the complete data in the user documentation. Our General Terms of Use for Downloads are valid.



Cable gland, material for screw connection: PA, external cable diameter 22 mm ... 32 mm, shielding: no, connecting thread: Pg36, color: lightgrey RAL 7035

## Your advantages

- Plastic material conforms to UL 746C f1

## Commercial Data

Item number	1424492
Packing unit	5 pc
Minimum order quantity	5 pc
Sales Key	BF7
Product Key	BF7DCX
Catalog Page	Page 687 (C-2-2019)
GTIN	4055626373225
Weight per Piece (including packing)	70 g
Weight per Piece (excluding packing)	70 g
Customs tariff number	39269097
Country of origin	TR

# G-INS-PG36-M68N-PNES-LG - Cable gland

1424492

<https://www.phoenixcontact.com/in/products/1424492>

## Technical Data

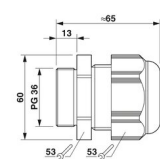
### Mounting

Assembly instructions	1) Mount screw connection support in the housing using the correct torque 2) Insert cable 3) Tighten union nut using the correct torque
-----------------------	---

### Product properties

Product type	Full screw connection
No. of conductors	1
Manufacturer	BIMED
Manufacturer Designation	BS-18
Shielded	no

### Dimensions

Dimensional drawing	
Length	65 mm
Length of the connecting thread	13 mm
Hole diameter	47.1 mm ... 47.4 mm
Wrench size, union nut	53 mm
Wrench size, support	53 mm
Hexagon angular dimension	60 mm
Thread type connection side	Pg36

### Material specifications

Color	lightgrey RAL 7035
Flammability rating according to UL 94	V2
Seal material Cable seal	CR
Material for screw connection	PA

### Cable/line

External cable diameter	22 mm ... 32 mm
	22 mm ... 32 mm (for UL 514 B)

### Environmental and real-life conditions

#### Ambient conditions

Degree of protection	IP68 (5 bar / 0.5 h)
Ambient temperature (operation)	-40 °C ... 100 °C (static)

# G-INS-PG36-M68N-PNES-LG - Cable gland

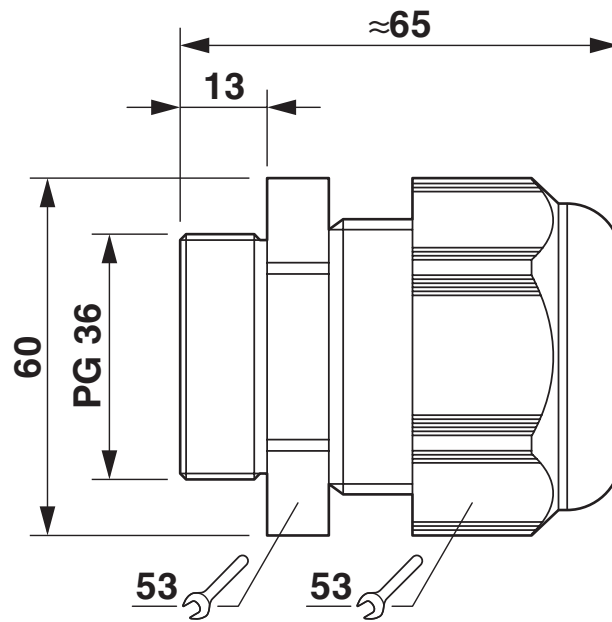


1424492

<https://www.phoenixcontact.com/in/products/1424492>

## Drawings

Dimensional drawing



Dimensional drawing

# G-INS-PG36-M68N-PNES-LG - Cable gland



1424492

<https://www.phoenixcontact.com/in/products/1424492>

## Approvals



**CSA**

Approval ID: 115116



**UL Listed**

Approval ID: E199260



**cUL Listed**

Approval ID: E199260

# G-INS-PG36-M68N-PNES-LG - Cable gland



1424492

<https://www.phoenixcontact.com/in/products/1424492>

## Classifications

### ECLASS

ECLASS-11.0	27144432
ECLASS-12.0	27140801
ECLASS-13.0	27140801

### ETIM

ETIM 8.0	EC000441
----------	----------

### UNSPSC

UNSPSC 21.0	39121300
-------------	----------

# G-INS-PG36-M68N-PNES-LG - Cable gland



1424492

<https://www.phoenixcontact.com/in/products/1424492>

## Environmental Product Compliance

China RoHS	Environmentally friendly use period: unlimited = EFUP-e
	No hazardous substances above threshold values

# G-INS-PG36-M68N-PNES-LG - Cable gland



1424492

<https://www.phoenixcontact.com/in/products/1424492>

## Accessories

### A-INL-PG36-P-GY - Counter nut

1411228

<https://www.phoenixcontact.com/in/products/1411228>

Counter nut, for threads Pg36, color: silver-gray RAL 7001



---

### SEALING PLUG 28X30 RD - Closing cap

1421864

<https://www.phoenixcontact.com/in/products/1421864>

Closing cap, color: red



---

Phoenix Contact 2023 © - all rights reserved

<https://www.phoenixcontact.com>

PHOENIX CONTACT (I) Pvt. Ltd.

A-58/2, Okhla Industrial Area, Phase - II, New Delhi-110 020

+91.1275.71420

[info@phoenixcontact.co.in](mailto:info@phoenixcontact.co.in)