

# A-INL-PG36-P-GY - Counter nut



1411228

<https://www.phoenixcontact.com/in/products/1411228>

Please be informed that the data shown in this PDF document is generated from our Online Catalog. Please find the complete data in the user documentation. Our General Terms of Use for Downloads are valid.

Counter nut, for threads Pg36, color: silver-gray RAL 7001



## Commercial Data

Item number	1411228
Packing unit	5 pc
Minimum order quantity	5 pc
Sales Key	BF7
Product Key	BF7DZX
Catalog Page	Page 687 (C-2-2019)
GTIN	4046356923606
Weight per Piece (including packing)	12.34 g
Weight per Piece (excluding packing)	12.34 g
Customs tariff number	39269097
Country of origin	TR

# A-INL-PG36-P-GY - Counter nut

1411228

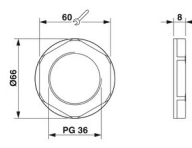
<https://www.phoenixcontact.com/in/products/1411228>

## Technical Data

### Product properties

Product type	Flat nut
Thread type	Pg36

### Dimensions

Dimensional drawing	
Length	8 mm
Diameter	47 mm
Connecting thread diameter	47 mm
Wrench size, counter nut	60 mm
Hexagon angular dimension	66 mm
Thread type connection side	Pg36

### Material specifications

Color	silver-gray RAL 7001
Material	PA
Flammability rating according to UL 94	V2

### Cable/line

Halogen-free	yes
--------------	-----

### Environmental and real-life conditions

#### Ambient conditions

Ambient temperature (operation)	-40 °C ... 100 °C
---------------------------------	-------------------

# A-INL-PG36-P-GY - Counter nut

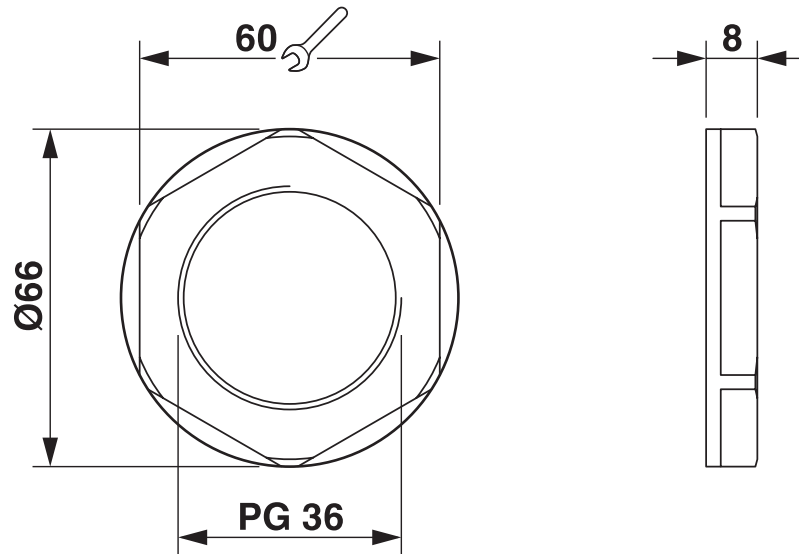
1411228

<https://www.phoenixcontact.com/in/products/1411228>



## Drawings

Dimensional drawing



# A-INL-PG36-P-GY - Counter nut



1411228

<https://www.phoenixcontact.com/in/products/1411228>

## Classifications

### ECLASS

ECLASS-11.0

27144424

### ETIM

ETIM 8.0

EC000940

### UNSPSC

UNSPSC 21.0

31161700

# A-INL-PG36-P-GY - Counter nut



1411228

<https://www.phoenixcontact.com/in/products/1411228>

## Environmental Product Compliance

China RoHS	Environmentally friendly use period: unlimited = EFUP-e No hazardous substances above threshold values
------------	---

Phoenix Contact 2023 © - all rights reserved  
<https://www.phoenixcontact.com>

PHOENIX CONTACT (I) Pvt. Ltd.  
A-58/2, Okhla Industrial Area, Phase - II, New Delhi-110 020

+91.1275.71420  
[info@phoenixcontact.co.in](mailto:info@phoenixcontact.co.in)