

VC-TR4/5M-PEA - Sleeve frame



1607088

<https://www.phoenixcontact.com/in/products/1607088>

Please be informed that the data shown in this PDF document is generated from our Online Catalog. Please find the complete data in the user documentation. Our General Terms of Use for Downloads are valid.



Contact insert frames, Range of articles: VARIOCON, Sleeve frame, design: VC4, housing material: Polyamide, color: black

Commercial Data

Item number	1607088
Packing unit	5 pc
Minimum order quantity	5 pc
Sales Key	ABL
Product Key	ABLABA
Catalog Page	Page 33 (C-2-2013)
GTIN	4017918940911
Weight per Piece (including packing)	19.93 g
Weight per Piece (excluding packing)	19.28 g
Customs tariff number	85389099
Country of origin	PL

Technical Data

Notes

Safety note

<p>Safety note</p>	<p>WARNING: The connectors may not be plugged in or disconnected under load. Ignoring the warning or improper use may damage persons and/or property.</p> <ul style="list-style-type: none"> • WARNING: Commission properly functioning products only. The products must be regularly inspected for damage. Decommission defective products immediately. Replace damaged products. Repairs are not possible. • WARNING: Only electrically qualified personnel may install and operate the product. They must observe the following safety notes. The qualified personnel must be familiar with the basics of electrical engineering. They must be able to recognize and prevent danger. The relevant symbol on the packaging indicates that only personnel familiar with electrical engineering are allowed to install and operate the product. • The products are suitable for applications in plant, controller, and electrical device engineering. • When operating the connectors in outdoor applications, they must be separately protected against environmental influences. • Assembled products may not be manipulated or improperly opened. • Only use mating connectors that are specified in the technical data of the standards listed (e.g. the ones listed in the product accessories online at phoenixcontact.com/products). • When using the product in direct connection with third-party manufacturers, the user is responsible. • For operating voltages > 50 V AC, conductive connector housings must be grounded • Ensure that the protective or functional ground has been properly connected. • VDE 0100/1.97 § 411.1.3.2 and DIN EN 60 204/11.98 § 14.1.3 are applicable when combining several circuits in a cable and/or connector • Observe the corresponding technical data. You will find information: <ul style="list-style-type: none"> o On the product o On the packing label o In the supplied documentation o Online at phoenixcontact.com/products under the product • Only use tools recommended by Phoenix Contact • The installation notes/Design In documents online on the download page at phoenixcontact.com/products must be observed for this product. • Use a protective cap to protect connectors that are not in use. The suitable accessories are available online in the accessory section of the product at phoenixcontact.com/products • Operate the connector only when it is fully plugged in. • Ensure that when laying the cable, the tensile load on the connectors does not exceed the upper limit specified in the
--------------------	---

VC-TR4/5M-PEA - Sleeve frame

1607088

<https://www.phoenixcontact.com/in/products/1607088>

	standards.
	<ul style="list-style-type: none">• Observe the minimum bending radius of the cable. Lay the cable without twisting it.
	<ul style="list-style-type: none">• The connector warms up in normal operation. Depending on the ambient conditions, the surface of the connector can continue to warm up. In this case, the user is responsible for posting warnings (e.g. DIN EN ISO 13732-1:2008-12).

Product properties

Type	VC4
Product type	Contact insert frames
Number of module slots	5
Series	VC-M

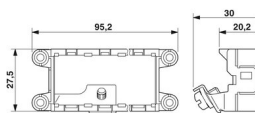
Insulation characteristics

Degree of pollution	3
---------------------	---

Electrical properties

Rated voltage (II/2)	1000 V
Rated voltage (III/2)	400 V
Rated surge voltage (III/3)	6 kV

Dimensions

Dimensional drawing	
Width	95.2 mm
Height	27.5 mm
Depth	20.2 mm
Length	32 mm

Material specifications

Color	black
Color of the housing part	black
Material	Polyamide
Material	PA-GF
Flammability rating according to UL 94	V2
Insulating material group	I
Contact material	CuZn
Contact surface material	nickel-plated
Material for screw connection	Steel, galvanized
Housing material	Polyamide

Environmental and real-life conditions

VC-TR4/5M-PEA - Sleeve frame

1607088

<https://www.phoenixcontact.com/in/products/1607088>



Ambient conditions

Ambient temperature (operation)

-40 °C ... 100 °C

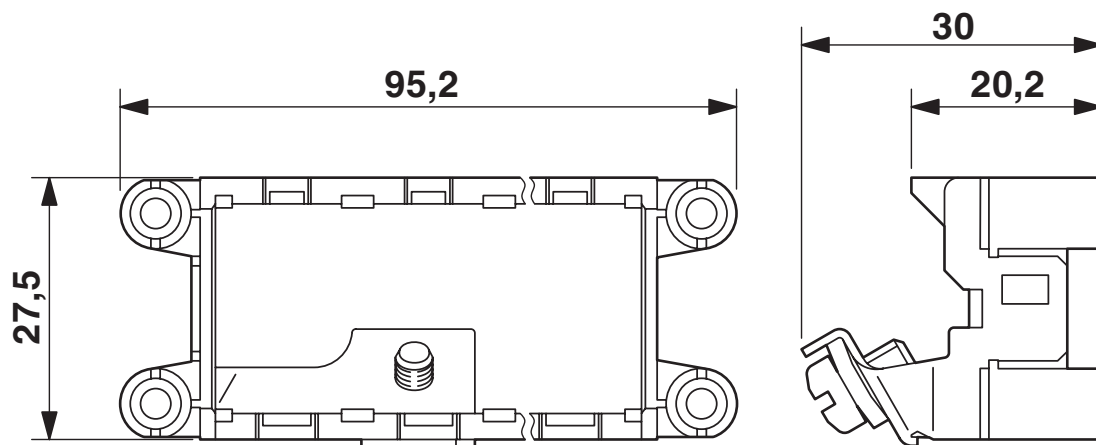
VC-TR4/5M-PEA - Sleeve frame

1607088

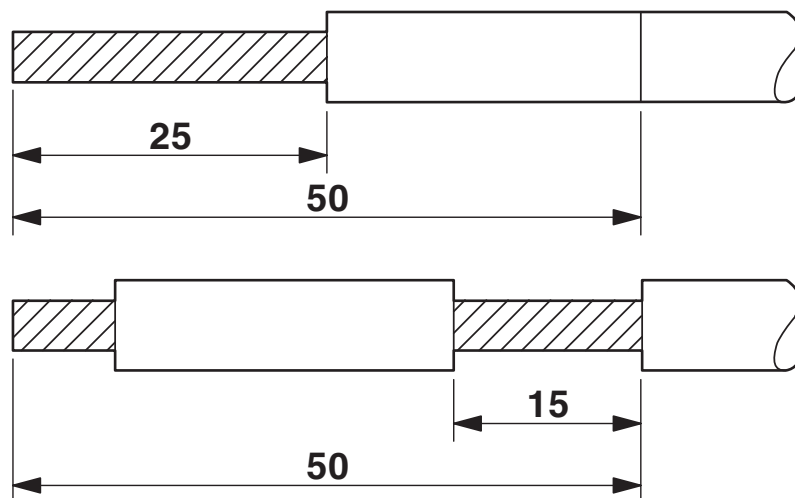
<https://www.phoenixcontact.com/in/products/1607088>

Drawings

Dimensional drawing



Functional drawing



VC-TR4/5M-PEA - Sleeve frame



1607088

<https://www.phoenixcontact.com/in/products/1607088>

Approvals



EAC

Approval ID: B.01687

VC-TR4/5M-PEA - Sleeve frame



1607088

<https://www.phoenixcontact.com/in/products/1607088>

Classifications

ECLASS

ECLASS-11.0	27440210
ECLASS-12.0	27440210
ECLASS-13.0	27440210

ETIM

ETIM 8.0	EC002310
----------	----------

UNSPSC

UNSPSC 21.0	39121400
-------------	----------

VC-TR4/5M-PEA - Sleeve frame



1607088

<https://www.phoenixcontact.com/in/products/1607088>

Environmental Product Compliance

China RoHS	Environmentally friendly use period: unlimited = EFUP-e
	No hazardous substances above threshold values

VC-TR4/5M-PEA - Sleeve frame

1607088

<https://www.phoenixcontact.com/in/products/1607088>



Accessories

VC-TFS 6 - Contact insert

1853476

<https://www.phoenixcontact.com/in/products/1853476>



Contact insert, Range of articles: VARIOCON, Contact insert, housing material: Polyamide, color: light grey, number of positions: 6, min. conductor cross section: 0.14 mm², max. conductor cross section: 1.5 mm², rated voltage: 250, rated current: 10 A, Connection method: Screw connection, Type of contact: Socket. Connectors may only be connected/disconnected when under no load.

VC-TFS 6-PE - Contact insert

1583526

<https://www.phoenixcontact.com/in/products/1583526>



Contact insert, Range of articles: VARIOCON, Contact insert, housing material: Polyamide, color: light grey, number of positions: 6, min. conductor cross section: 0.14 mm², max. conductor cross section: 1.5 mm², rated voltage: 250, rated current: 10 A, Connection method: Screw connection, Type of contact: Socket. Connectors may only be connected/disconnected when under no load.

VC-TR4/5M-PEA - Sleeve frame

1607088

<https://www.phoenixcontact.com/in/products/1607088>



VC-TFS 8 - Contact insert

1852820

<https://www.phoenixcontact.com/in/products/1852820>



Contact insert, Range of articles: VARIOCON, Contact insert, housing material: Polyamide, color: light grey, number of positions: 8, rated voltage: 160, rated current: 10 A, Connection method: Screw connection, Type of contact: Socket. Connectors may only be connected/disconnected when under no load.

VC-TFS 8-PE - Contact insert

1583536

<https://www.phoenixcontact.com/in/products/1583536>



Contact insert, Range of articles: VARIOCON, Contact insert, housing material: Polyamide, color: light grey, number of positions: 8, min. conductor cross section: 0.14 mm², max. conductor cross section: 1.5 mm², rated voltage: 160, rated current: 10 A, Connection method: Screw connection, Type of contact: Socket. Connectors may only be connected/disconnected when under no load.

VC-TR4/5M-PEA - Sleeve frame

1607088

<https://www.phoenixcontact.com/in/products/1607088>



VC-TFS 2 - Contact insert

1852846

<https://www.phoenixcontact.com/in/products/1852846>



Contact insert, Range of articles: VARIOCON, Contact insert, housing material: Polyamide, color: light grey, number of positions: 2, min. conductor cross section: 0.25 mm², max. conductor cross section: 4 mm², rated voltage: 400, rated current: 20 A, Connection method: Screw connection, Type of contact: Socket. Connectors may only be connected/disconnected when under no load.

VC-TFS 2-PE - Contact insert

1583513

<https://www.phoenixcontact.com/in/products/1583513>



Contact insert, Range of articles: VARIOCON, Contact insert, housing material: Polyamide, color: light grey, number of positions: 2, min. conductor cross section: 0.25 mm², max. conductor cross section: 4 mm², rated voltage: 400, rated current: 20 A, Connection method: Screw connection, Type of contact: Socket. Connectors may only be connected/disconnected when under no load.

Phoenix Contact 2023 © - all rights reserved
<https://www.phoenixcontact.com>

PHOENIX CONTACT (I) Pvt. Ltd.
A-58/2, Okhla Industrial Area, Phase - II, New Delhi-110 020

+91.1275.71420
info@phoenixcontact.co.in