

VS-08-NP-RJ45-BU - RJ45 connector



1416952

<https://www.phoenixcontact.com/in/products/1416952>

Please be informed that the data shown in this PDF document is generated from our Online Catalog. Please find the complete data in the user documentation. Our General Terms of Use for Downloads are valid.



RJ45 connector, design: RJ45, degree of protection: IP20, number of positions: 8, 1 Gbps, CAT5 (IEC 11801:2002), material: Plastic, connection method: Crimp connection, cable outlet: straight, Ethernet

Your advantages

- Optimized for an extended temperature range of up to 85°C
- Easy installation with a crimping tool
- The bend protection of the locking clip prevents damage and ensures error-free data transmission

Commercial Data

Item number	1416952
Packing unit	10 pc
Minimum order quantity	10 pc
Sales Key	ABN
Product Key	ABNAAG
GTIN	4046356498418
Weight per Piece (including packing)	4.55 g
Weight per Piece (excluding packing)	4.3 g
Customs tariff number	85366990
Country of origin	CN

VS-08-NP-RJ45-BU - RJ45 connector

1416952

<https://www.phoenixcontact.com/in/products/1416952>

Technical Data

Product properties

Type	RJ45
Product type	Data plug
Number of positions	8
Connection profile	RJ45
No. of cable outlets	1
Type	RJ45
Locking type	Locking clips
Cable outlet	straight

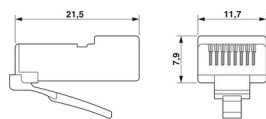
Insulation characteristics

Overvoltage category	I
Degree of pollution	2

Electrical properties

Rated voltage (III/3)	72 V (DC)
Rated current	2 A
Contact resistance	< 100 mΩ (max.)
Frequency range	100 MHz
Insulation resistance	> 500 MΩ
Nominal current I_N	2 A
Contact resistance per contact pair	< 20 Ω
Contact resistance	> 10 mΩ
Transmission medium	Copper
Transmission speed	1 Gbps

Dimensions

Dimensional drawing	
Width	21.49 mm
Height	11.2 mm
Length	11.88 mm

Material specifications

Flammability rating according to UL 94	V2
Contact material	Phosphor bronze
Contact surface material	Gold over nickel
Contact carrier material	PC

VS-08-NP-RJ45-BU - RJ45 connector



1416952

<https://www.phoenixcontact.com/in/products/1416952>

Housing material	Plastic
------------------	---------

Cable/line

External cable diameter	5.6 mm ... 5.6 mm
Wire diameter including insulation	0.9 mm
Wire diameter incl. insulation	0.9 mm
Test voltage Core/Core	1000 V
Test voltage Core/Shield	1500 V

Mechanical properties

Mechanical data

Insertion/withdrawal cycles	≥ 750
Insertion force per signal contact	< 20.00 N
Extraction force per signal contact	< 20 N

Environmental and real-life conditions

Ambient conditions

Degree of protection	IP20
Ambient temperature (operation)	-40 °C ... 85 °C

Mounting

Mounting type	Crimp connection
---------------	------------------

VS-08-NP-RJ45-BU - RJ45 connector

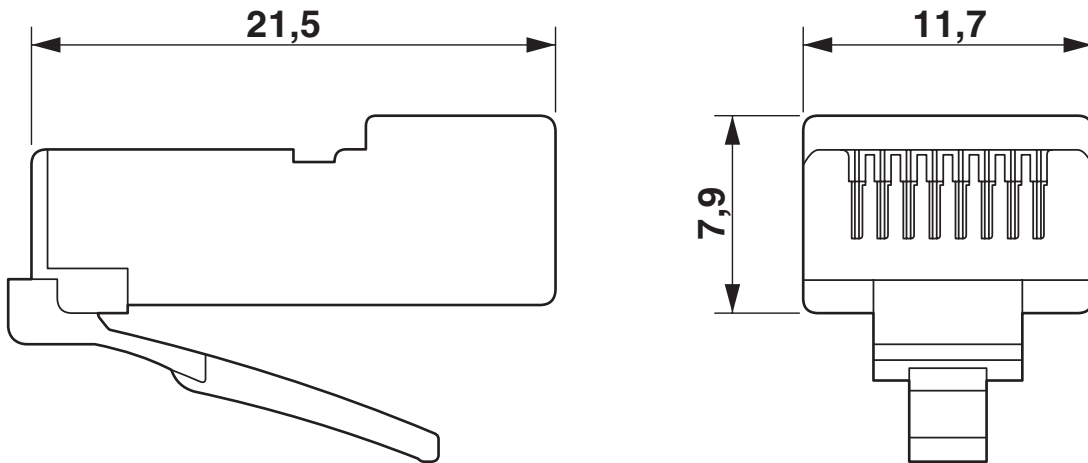


1416952

<https://www.phoenixcontact.com/in/products/1416952>

Drawings

Dimensional drawing



RJ45 male insert

VS-08-NP-RJ45-BU - RJ45 connector



1416952

<https://www.phoenixcontact.com/in/products/1416952>

Approvals



EAC

Approval ID: B.01687

VS-08-NP-RJ45-BU - RJ45 connector



1416952

<https://www.phoenixcontact.com/in/products/1416952>

Classifications

ECLASS

ECLASS-11.0	27440312
ECLASS-13.0	27440312
ECLASS-13.0	27440312
ECLASS-13.0	27440312

ETIM

ETIM 8.0	EC002641
----------	----------

UNSPSC

UNSPSC 21.0	39121400
-------------	----------

VS-08-NP-RJ45-BU - RJ45 connector



1416952

<https://www.phoenixcontact.com/in/products/1416952>

Environmental Product Compliance

China RoHS	Environmentally friendly use period: unlimited = EFUP-e
	No hazardous substances above threshold values

VS-08-NP-RJ45-BU - RJ45 connector



1416952

<https://www.phoenixcontact.com/in/products/1416952>

Accessories

VS-LC-RJ45 - Crimping pliers

1416978

<https://www.phoenixcontact.com/in/products/1416978>

Crimping pliers



Phoenix Contact 2023 © - all rights reserved
<https://www.phoenixcontact.com>

PHOENIX CONTACT (I) Pvt. Ltd.
A-58/2, Okhla Industrial Area, Phase - II, New Delhi-110 020

+91.1275.71420
info@phoenixcontact.co.in