

# Product datasheet

Specifications



## Tower Light - RAG - 24V - LED - W.Buzzer - Base mounting

XVGB3SW

! Discontinued on: 27 August 2020

! Discontinued

### Main

Range of product	Harmony XVG
Product or component type	Complete pre-wired monolithic tower light
Beacon or indicator bank unit type	3 illuminated units
Material	PC (UL94 V-2): globe ABS (UL94HB): tube body Aluminium: tube
Mounting diameter	60 mm
Component name	XVG
Device mounting	Base mounting
Light source	LED steady red LED steady green LED steady amber
Light block color	Red/orange/green
Indicator bank base type	Base with integrated buzzer

### Complementary

Rated supply voltage	24 V AC/DC
Cable cross section	0.33 mm <sup>2</sup>
Discrete output type	PNP and NPN
[Uimp] rated impulse withstand voltage	0.5 kV
Current consumption	180 mA
Noise level	85 dB
Power consumption in W	4.1 W
Fundamental frequency	2.64 kHz
Net weight	0.25 kg

### Environment

Product certifications	CE EAC
Ambient air temperature for storage	-35...70 °C

---

Ambient air temperature for operation	-10...50 °C
---------------------------------------	-------------

---

IP degree of protection	IP42
-------------------------	------

---

## Packing Units

---

Unit Type of Package 1	PCE
------------------------	-----

---

Number of Units in Package 1	1
------------------------------	---

---

Package 1 Height	7.926 cm
------------------	----------

---

Package 1 Width	8.002 cm
-----------------	----------

---

Package 1 Length	31.039 cm
------------------	-----------

---

Package 1 Weight	350.0 g
------------------	---------

---

Unit Type of Package 2	S04
------------------------	-----

---

Number of Units in Package 2	21
------------------------------	----

---

Package 2 Height	30 cm
------------------	-------

---

Package 2 Width	40 cm
-----------------	-------

---

Package 2 Length	60 cm
------------------	-------

---

Package 2 Weight	8.591 kg
------------------	----------

---

Unit Type of Package 3	P06
------------------------	-----

---

Number of Units in Package 3	84
------------------------------	----

---

Package 3 Height	75 cm
------------------	-------

---

Package 3 Width	60 cm
-----------------	-------

---

Package 3 Length	80 cm
------------------	-------

---

Package 3 Weight	43 kg
------------------	-------

---

## Offer Sustainability

---

Sustainable offer status	Green Premium product
--------------------------	-----------------------

---

REACH Regulation	<a href="#">REACH Declaration</a>
------------------	-----------------------------------

---

REACH free of SVHC	Yes
--------------------	-----

---

EU RoHS Directive	Pro-active compliance (Product out of EU RoHS legal scope) <a href="#">EU RoHS Declaration</a>
-------------------	---

---

Mercury free	Yes
--------------	-----

---

China RoHS Regulation	<a href="#">China RoHS declaration</a>
-----------------------	--

---

RoHS exemption information	Yes
----------------------------	-----

---

Environmental Disclosure	<a href="#">Product Environmental Profile</a>
--------------------------	---

---

Circularity Profile	<a href="#">End of Life Information</a>
---------------------	---

---

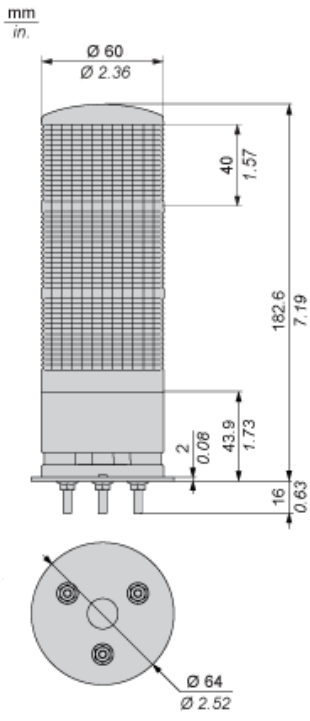
## Contractual warranty

---

Warranty	18 months
----------	-----------

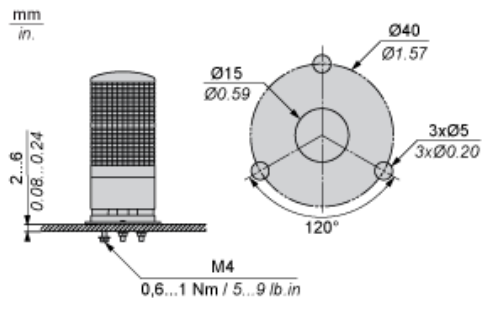
---

Dimensions

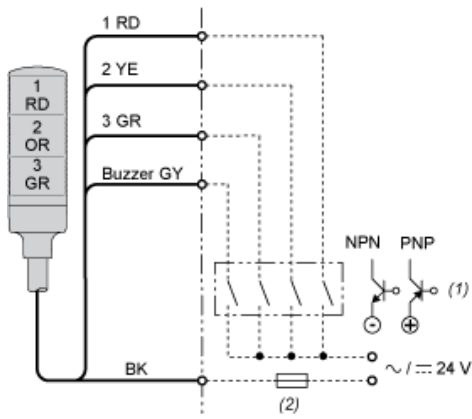


Mounting

---



## Wiring



(1) "ON" for lighting and/or applying continuous sound.

(2) Fuse (rated current: 0.5 A)

RD : Red

YE : Yellow

GR : Green

GY : Grey

OR : Orange

BK : Black

## Recommended replacement(s)