

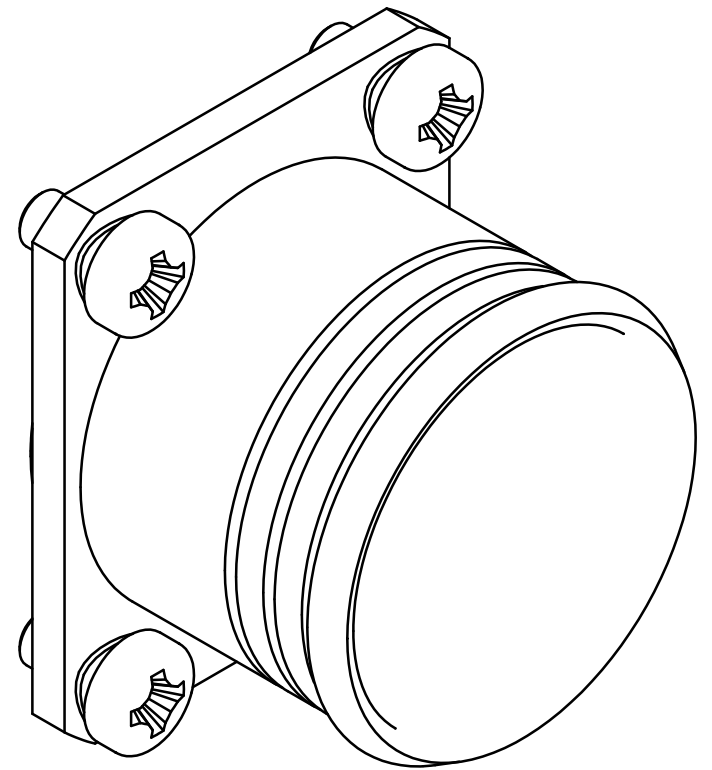
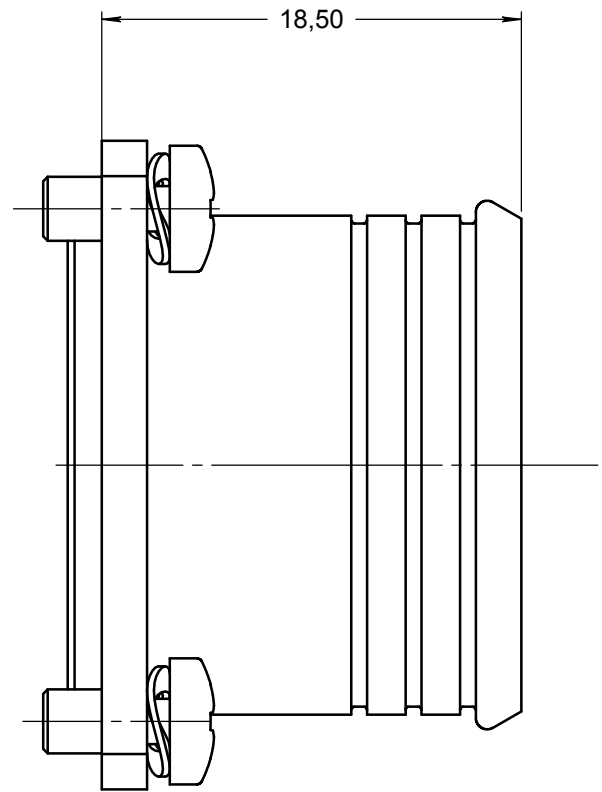
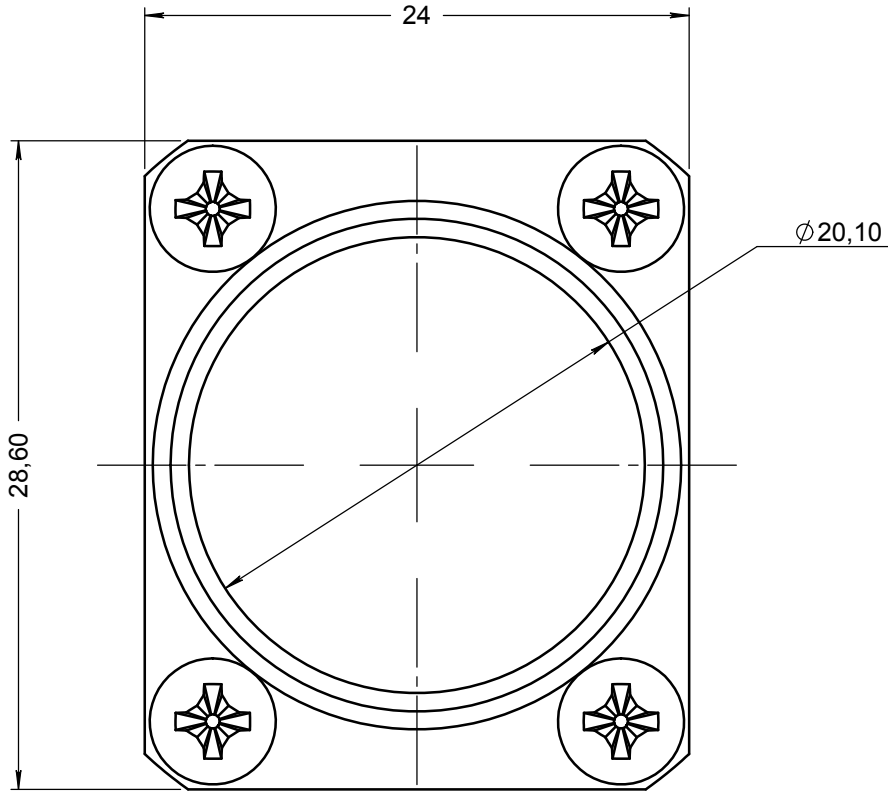


Series  
MPX

BACK SHELL TERMINATION

Issue:  
march 21, 05

Page  
1/1



MATERIAL AND FINISH :  
BACK SHELL TERMINATION : ALUMINIUM ALLOY - YELLOW CHROMATE CADMIUM PLATED OVER NICKEL UNDERPLATE.  
SCREWS AND WASHERS : COROSION RESISTANT MATERIAL.

DIMENSIONS : mm -

This information is given as an indication. In the continual goal to improve our products, we reserve the right to make any modifications judged necessary.

4112\_9311

CREATION				
PEN: M970104619A				
NOM: MACARI JP.				
DATE: dec 19, 97	march 09, 98	Finish modified	LeGloahec	Dupuis
APPR.: Jacob	march 09, 98	Deleted yellow chromate cadmium	Macari	Verneau
	Issue	Revisions	Name	Approved