

# Product data sheet

Specifications



## discrete output module Modicon Momentum - 32 O solid state

170ADO35000

### Main

Range of product	Modicon Momentum automation platform
Product or component type	Discrete output base DC
Group of channels	2 groups of 16 outputs
Discrete output number	32
Discrete output type	Solid state switch
Discrete output voltage	24 V DC
Current per channel	0.5 A
Short-circuit protection	Outputs electronically protected
Protective treatment	TC

### Complementary

[Ue] rated operational voltage	24 V DC
Discrete output current	16 A per module 8 A per group
Maximum leakage current	1 mA 24 V DC
Surge current	5 A during 1 ms
Maximum voltage drop	<0.5 V 0.5 A at state 1
Output overload protection	Outputs electronically protected
Response time	0.1 ms from state 0 to state 1 0.1 ms from state 1 to state 0
Isolation between channels and bus	500 V AC
Power dissipation	6 W typical 7.5 W maximum
Marking	CE
Local signalling	32 LEDs for channel status
Current consumption	250 mA at 24 V DC
Terminals description PLC n°1	(15)OUT_DIS#15 TB (2)OUT_DIS#2 (8)OUT_DIS#8 (L+)PW_POS (16)OUT_DIS#16 (7)OUT_DIS#7 (M-)PW_NEG (12)OUT_DIS#12

(9)OUT\_DIS#9  
(11)OUT\_DIS#11  
(14)OUT\_DIS#14  
(1)OUT\_DIS#1  
(5)OUT\_DIS#5  
(10)OUT\_DIS#10  
(13)OUT\_DIS#13  
(3)OUT\_DIS#3  
(4)OUT\_DIS#4  
(6)OUT\_DIS#6

---

<b>Terminals description PLC n°2</b>	(6)OUT_DIS#22 (4)OUT_DIS#20 (7)OUT_DIS#23 (2L+)PW_POS (3)OUT_DIS#19 TB_1 (8)OUT_DIS#24 (10)OUT_DIS#26 (12)OUT_DIS#28 (2)OUT_DIS#18 (13)OUT_DIS#29 (16)IN_DIS#32 (11)OUT_DIS#27 (14)OUT_DIS#30 (15)OUT_DIS#31 (5)OUT_DIS#21 (9)OUT_DIS#25 (1)OUT_DIS#17 (1L+)PW_POS
--------------------------------------	--

---

<b>Depth</b>	47.5 mm
<b>Height</b>	141.5 mm
<b>Width</b>	125 mm
<b>Net weight</b>	0.21 kg

---

## Environment

---

<b>Product certifications</b>	CSA UL
<b>Resistance to electrostatic discharge</b>	4 kV contact conforming to IEC 801-2 8 kV on air conforming to IEC 801-2
<b>Resistance to electromagnetic fields</b>	10 V/m 80...1000 MHz conforming to IEC 801-3
<b>Ambient air temperature for operation</b>	0...60 °C
<b>Ambient air temperature for storage</b>	-40...85 °C
<b>Relative humidity</b>	95 % without condensation
<b>Operating altitude</b>	<= 5000 m

---

## Packing Units

---

<b>Unit Type of Package 1</b>	PCE
<b>Number of Units in Package 1</b>	1
<b>Package 1 Height</b>	5.5 cm
<b>Package 1 Width</b>	18.0 cm
<b>Package 1 Length</b>	26.0 cm
<b>Package 1 Weight</b>	403.0 g
<b>Unit Type of Package 2</b>	S03
<b>Number of Units in Package 2</b>	10
<b>Package 2 Height</b>	30 cm
<b>Package 2 Width</b>	30 cm
<b>Package 2 Length</b>	40 cm
<b>Package 2 Weight</b>	4.545 kg

---

<b>Unit Type of Package 3</b>	P06
<b>Number of Units in Package 3</b>	80
<b>Package 3 Height</b>	75.0 cm
<b>Package 3 Width</b>	40.0 cm
<b>Package 3 Length</b>	80.0 cm
<b>Package 3 Weight</b>	47 kg

## Offer Sustainability

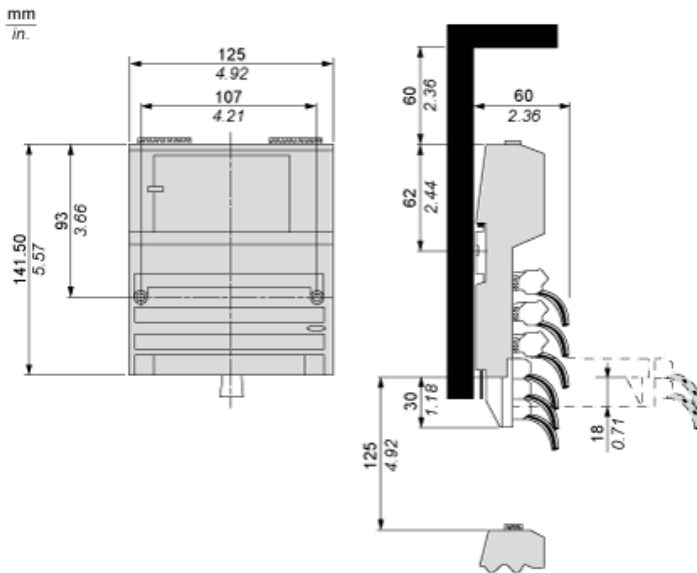
<b>Sustainable offer status</b>	Green Premium product
<b>REACH Regulation</b>	<a href="#">REACH Declaration</a>
<b>EU RoHS Directive</b>	Pro-active compliance (Product out of EU RoHS legal scope) <a href="#">EU RoHS Declaration</a>
<b>Mercury free</b>	Yes
<b>China RoHS Regulation</b>	<a href="#">China RoHS declaration</a>
<b>RoHS exemption information</b>	Yes
<b>Environmental Disclosure</b>	<a href="#">Product Environmental Profile</a>
<b>Circularity Profile</b>	<a href="#">End of Life Information</a>
<b>WEEE</b>	The product must be disposed on European Union markets following specific waste collection and never end up in rubbish bins
<b>California proposition 65</b>	WARNING: This product can expose you to chemicals including: Lead and lead compounds, which is known to the State of California to cause cancer and birth defects or other reproductive harm. For more information go to <a href="http://www.P65Warnings.ca.gov">www.P65Warnings.ca.gov</a>

## Contractual warranty

<b>Warranty</b>	18 months
-----------------	-----------

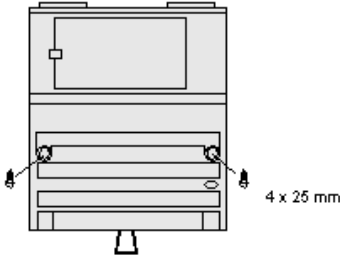
Standard Adapter on a Typical Base

Dimensions



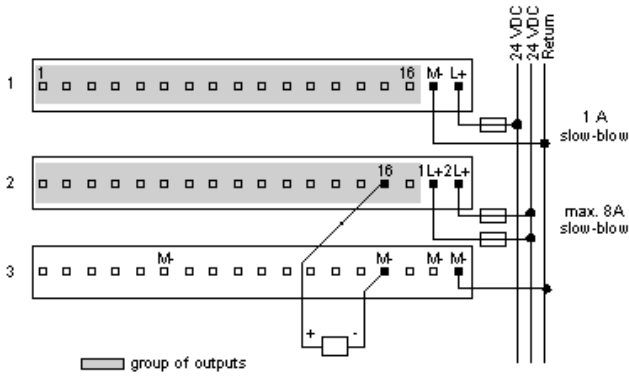
**Mounting on a Wall**

---

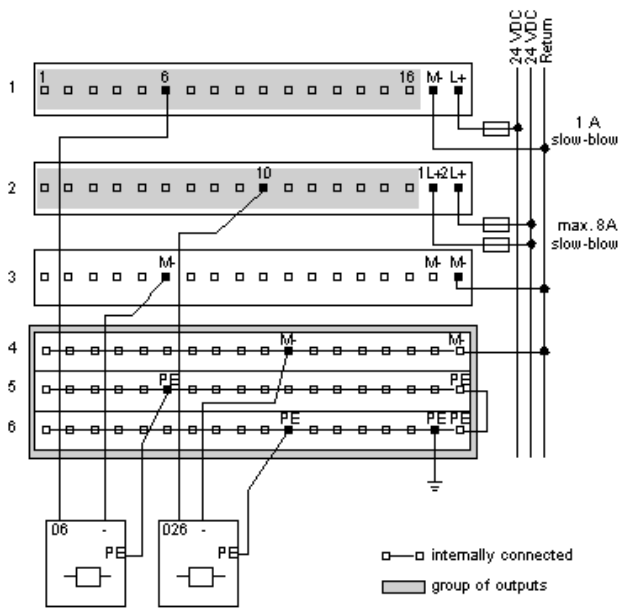


External Wiring Diagrams

2-Wire Actuator



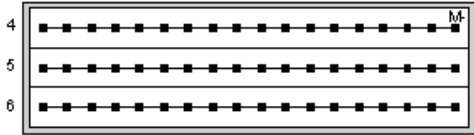
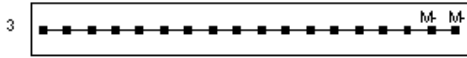
3-Wire Actuators



## Internal Pin Connections

---

Rows 1 through 3 show the internal connections between terminals on the I/O base. Rows 4 through 6 show the internal connections on the optional busbar.



## Recommended replacement(s)